

Jul. 2010



SERVICE MANUAL ADDENDUM

ID-RP2D

CONTENTS

PARTS LIST	1
BOARD LAYOUTS	9
VOLTAGE DIAGRAM	11

PARTS LIST

[FRONT UNIT]

REF NO.	PARTS NO.	DESCRIPTION	M.	H/V LOCATION
D1	1730002301	S.ZEN MAZ8082GML	T	7.5/21.8
D3	1790001711	S.DIO NNCD5.6C-T1-A	T	57.5/16.7
D4	1790001711	S.DIO NNCD5.6C-T1-A	T	53/16.7
D5	1790001711	S.DIO NNCD5.6C-T1-A	T	48.4/16.7
D6	1790001711	S.DIO NNCD5.6C-T1-A	T	43.9/16.7
R1	7030006250	S.RES ERJ12YJ271U (270)	T	8.5/30.5
R2	7030008180	S.RES ERJ12YJ331U (330)	T	8.5/7.8
R3	7030003860	S.RES ERJ3GE JPW V	T	60.5/16.5
R4	7030003860	S.RES ERJ3GE JPW V	T	56/16.5
R5	7030003860	S.RES ERJ3GE JPW V	T	51.5/16.5
R6	7030003860	S.RES ERJ3GE JPW V	T	46.9/16.5
R11	7030003860	S.RES ERJ3GE JPW V		
C1	4030011600	S.CER C1608 JB 1E 104K-T	T	7.2/18.8
C2	4510009400	S.ELE UUL1V100MCL1GS	T	9.4/25.7
C3	4030007050	S.CER C1608 CH 1H 220J-T	T	59/16.5
C4	4030007050	S.CER C1608 CH 1H 220J-T	T	54.5/16.5
C5	4030007050	S.CER C1608 CH 1H 220J-T	T	49.9/16.5
C6	4030007050	S.CER C1608 CH 1H 220J-T	T	45.4/16.5
C11	4030006850	S.CER C1608 JB 1H 471K-T	T	7.2/20.1
J1	6450002101	CON CMS1410-016010		
J3	6510020251	S.CON B9B-PH-SM4-TB(LF)(SN)	T	22.4/39.5
DS1	5040003070	LED MPG4371F		
S1	2220000631	SWI MFS201N-16-Z		

[REAR UNIT]

REF NO.	PARTS NO.	DESCRIPTION	M.	H/V LOCATION
D1	1790001711	S.DIO NNCD5.6C-T1-A	T	36.9/71.8
D2	1790001711	S.DIO NNCD5.6C-T1-A	T	32.9/71.8
D3	1790001711	S.DIO NNCD5.6C-T1-A	T	24.9/71.8
D4	1790001711	S.DIO NNCD5.6C-T1-A	T	20.9/71.8
D5	1790001711	S.DIO NNCD5.6C-T1-A	T	16.9/71.7
D6	1790001711	S.DIO NNCD5.6C-T1-A	T	12.9/71.8
D7	1790000700	DIO DSA3A1		
D8	1790001711	S.DIO NNCD5.6C-T1-A	T	28.9/71.8
R1	7030003300	S.RES ERJ3GEYJ 680 V (68)	T	36/76.4
R2	7030003300	S.RES ERJ3GEYJ 680 V (68)	T	32/76.4
R3	7030003300	S.RES ERJ3GEYJ 680 V (68)	T	24/76.4
R4	7030003320	S.RES ERJ3GEYJ 101 V (100)	T	20/76.4
R5	7030003320	S.RES ERJ3GEYJ 101 V (100)	T	16/76.4
R6	7030003300	S.RES ERJ3GEYJ 680 V (68)	T	12/76.4
R7	7030011030	S.RES ERJ1TYJ 270U (27)	T	35.3/21.3
R8	7030003340	S.RES ERJ3GEYJ 151 V (150)	T	28/76.4
C7	4510009400	S.ELE UUL1V100MCL1GS	T	40.8/26.6
J1	6510018921	S.CON B8B-PH-SM4-TB(LF)(SN)	T	23.9/43
J2	6510016481	CON 52018-8846(8845)		
J4	6510011591	CON B2P-VH(LF)(SN)		
J5	6510011461	CON B6P-VH(LF)(SN)		
J6	6510018961	S.CON B2B-PH-SM4-TB(LF)(SN)	T	39.8/36.3

M.=Mounted side (T: Mounted on the Top side, B: Mounted on the Bottom side)
S.=Surface mount

[LOGIC-D UNIT]

Table with columns: REF NO., PARTS NO., DESCRIPTION, M., H/V LOCATION. Contains part numbers, descriptions, and locations for various logic components.

[LOGIC-D UNIT]

Table with columns: REF NO., PARTS NO., DESCRIPTION, M., H/V LOCATION. Contains part numbers, descriptions, and locations for various logic components.

M.=Mounted side (T: Mounted on the Top side, B: Mounted on the Bottom side) S.=Surface mount

[LOGIC-D UNIT]

REF NO.	PARTS NO.	DESCRIPTION	M.	H/V LOCATION
R305	7030003480	S.RES ERJ3GEYJ 222 V (2.2K)	T	67.4/19
R306	7030003480	S.RES ERJ3GEYJ 222 V (2.2K)	T	63.7/22.8
R307	7030003480	S.RES ERJ3GEYJ 222 V (2.2K)	T	63.7/20.2
R308	7030003600	S.RES ERJ3GEYJ 223 V (2.2K)	T	64.2/18.1
R310	7030003320	S.RES ERJ3GEYJ 101 V (100)	T	59.3/32
R311	7030003520	S.RES ERJ3GEYJ 472 V (4.7K)	T	55/39.2
R312	7030003530	S.RES ERJ3GEYJ 562 V (5.6K)	T	60.4/39.2
R313	7030003530	S.RES ERJ3GEYJ 562 V (5.6K)	T	62.3/36.5
R314	7030003480	S.RES ERJ3GEYJ 222 V (2.2K)	T	68.1/34.4
R315	7030003480	S.RES ERJ3GEYJ 222 V (2.2K)	T	68.1/33.1
R316	7030003480	S.RES ERJ3GEYJ 222 V (2.2K)	T	65.5/37
R317	7030003480	S.RES ERJ3GEYJ 222 V (2.2K)	T	68.1/37
R318	7030003600	S.RES ERJ3GEYJ 223 V (2.2K)	T	67.3/31.8
R320	7030003320	S.RES ERJ3GEYJ 101 V (100)	B	61.5/24.3
R348	7030003320	S.RES ERJ3GEYJ 101 V (100)	B	101.4/30
R349	7030003320	S.RES ERJ3GEYJ 101 V (100)	T	77.5/26.4
R350	7030003320	S.RES ERJ3GEYJ 101 V (100)	T	80.1/27.2
R351	7030003730	S.RES ERJ3GEYJ 274 V (270K)	T	96.5/31
R352	7030004710	S.RES ERJ3GEYJ 475 V (4.7M)	T	98.4/30.4
R353	7030003730	S.RES ERJ3GEYJ 274 V (270K)	T	96.5/27.1
R354	7030004710	S.RES ERJ3GEYJ 475 V (4.7M)	T	98.4/27.8
R355	7030003680	S.RES ERJ3GEYJ 104 V (100K)	B	84.1/28.7
R356	7030003680	S.RES ERJ3GEYJ 104 V (100K)	B	84.9/26.8
R357	7030003680	S.RES ERJ3GEYJ 104 V (100K)	B	99.7/24.9
R358	7030003320	S.RES ERJ3GEYJ 101 V (100)	B	84/20.3
R359	7030003560	S.RES ERJ3GEYJ 103 V (10K)	B	86.6/21.2
R360	7030003560	S.RES ERJ3GEYJ 103 V (10K)	B	87.9/25.9
R361	7030003600	S.RES ERJ3GEYJ 223 V (2.2K)	B	90/25.1
R362	7030003560	S.RES ERJ3GEYJ 103 V (10K)	B	90.6/28.9
R363	7030003800	S.RES ERJ3GEYJ 105 V (1M)	B	92.4/29.6
R364	7030003320	S.RES ERJ3GEYJ 101 V (100)	T	90.7/25.7
R365	7030003480	S.RES ERJ3GEYJ 222 V (2.2K)	T	82.8/28.7
R368	7030003520	S.RES ERJ3GEYJ 472 V (4.7K)	B	86.1/16.8
R400	7030003320	S.RES ERJ3GEYJ 101 V (100)	B	12.2/21
R402	7030003440	S.RES ERJ3GEYJ 102 V (1K)	T	15/11.9
R403	7030003320	S.RES ERJ3GEYJ 101 V (100)	T	15/13.2
R405	7030003440	S.RES ERJ3GEYJ 102 V (1K)	T	82/20.2
R406	7030003320	S.RES ERJ3GEYJ 101 V (100)	T	83.3/20.2
R407	7030003440	S.RES ERJ3GEYJ 102 V (1K)	B	16.7/21
R410	7030003440	S.RES ERJ3GEYJ 102 V (1K)	B	18/21
R411	7030003440	S.RES ERJ3GEYJ 102 V (1K)	B	15.4/21
R412	7030003440	S.RES ERJ3GEYJ 102 V (1K)	B	14.1/21
R413	7030003440	S.RES ERJ3GEYJ 102 V (1K)	B	10.9/21
R414	7030003440	S.RES ERJ3GEYJ 102 V (1K)	B	82.2/13.3
R416	7030003440	S.RES ERJ3GEYJ 102 V (1K)	B	83.5/13.3
R417	7030003440	S.RES ERJ3GEYJ 102 V (1K)	B	29.3/74.9
R418	7030003440	S.RES ERJ3GEYJ 102 V (1K)	B	28.5/74.9
R419	7030003440	S.RES ERJ3GEYJ 102 V (1K)	B	29.8/74.9
R420	7030003440	S.RES ERJ3GEYJ 102 V (1K)	T	31.1/74.9
R421	7030003440	S.RES ERJ3GEYJ 102 V (1K)	T	75.5/20.2
R422	7030003320	S.RES ERJ3GEYJ 101 V (100)	B	28/74.9
R423	7030003440	S.RES ERJ3GEYJ 102 V (1K)	T	42/77.9
R424	7030003440	S.RES ERJ3GEYJ 102 V (1K)	T	74.2/20.2
R425	7030003320	S.RES ERJ3GEYJ 101 V (100)	T	71.5/20.2
R426	7030003560	S.RES ERJ3GEYJ 103 V (10K)	B	80.9/16.8
R427	7030003560	S.RES ERJ3GEYJ 103 V (10K)	B	72.9/20.2
R428	7030003320	S.RES ERJ3GEYJ 101 V (100)	T	78.1/20.2
R429	7030003320	S.RES ERJ3GEYJ 101 V (100)	T	78.0/20.2
R430	7030003320	S.RES ERJ3GEYJ 101 V (100)	T	76.8/20.2
R431	7030003320	S.RES ERJ3GEYJ 101 V (100)	T	75.3/19.4
R432	7030003320	S.RES ERJ3GEYJ 101 V (100)	T	27.2/74.9
R433	7030003440	S.RES ERJ3GEYJ 102 V (1K)	B	85.4/14
R434	7030003320	S.RES ERJ3GEYJ 101 V (100)	T	79.4/20.2
R435	7030003320	S.RES ERJ3GEYJ 101 V (100)	B	22/21
R436	7030003320	S.RES ERJ3GEYJ 101 V (100)	B	73.4/18.5
R437	7030003320	S.RES ERJ3GEYJ 101 V (100)	B	87.4/16.8
R438	7030003480	S.RES ERJ3GEYJ 222 V (2.2K)	T	86.5/19.4
R439	7030003680	S.RES ERJ3GEYJ 104 V (100K)	T	71.5/23.4
R440	7030003640	S.RES ERJ3GEYJ 473 V (4.7K)	T	80.4/72.8
R500	7030003560	S.RES ERJ3GEYJ 103 V (10K)	T	78.1/76.1
R501	7030000420	S.RES MCR10EZJH 2.2K (222)	B	72/77.9
R502	7030003470	S.RES ERJ3GEYJ 182 V (1.8K)	T	108.4/71.2
R503	7030003530	S.RES ERJ3GEYJ 562 V (5.6K)	T	111/71.2
R504	7030003500	S.RES ERJ3GEYJ 332 V (3.3K)	B	112.2/77.7
R505	7030000020	S.RES MCR10EZJH 1 (010)	B	66.7/77.9
R506	7030003640	S.RES ERJ3GEYJ 473 V (4.7K)	B	68/77.9
R507	7030003570	S.RES ERJ3GEYJ 123 V (12K)	B	68/80.5
R508	7030003640	S.RES ERJ3GEYJ 473 V (4.7K)	T	109.7/71.2
R509	7030003600	S.RES ERJ3GEYJ 223 V (2.2K)	T	69.8/76.1
R510	7030003520	S.RES ERJ3GEYJ 472 V (4.7K)	T	81.4/74.4
R511	7030000180	S.RES MCR10EZJH 22 (220)	T	78.1/74.4
R512	7030000180	S.RES MCR10EZJH 22 (220)	T	9.9/62.8
R513	7030000420	S.RES MCR10EZJH 2.2K (222)	B	9.9/61.5
R515	7030003550	S.RES ERJ3GEYJ 822 V (8.2K)	B	10.5/69.4
R553	7030003580	S.RES ERJ3GEYJ 153 V (15K)	B	17.2/61.8
R556	7030003680	S.RES ERJ3GEYJ 104 V (100K)	B	12.4/68.6
R558	7030003400	S.RES ERJ3GEYJ 471 V (4.7K)	B	12.9/58.4
R559	7030003460	S.RES ERJ3GEYJ 152 V (1.5K)	B	15.9/68.2
R561	7030003560	S.RES ERJ3GEYJ 103 V (10K)	B	17.9/71.2
R562	7030003460	S.RES ERJ3GEYJ 152 V (1.5K)	T	69.8/76.1
R563	7030003200	S.RES ERJ3GEYJ 100 V (10)	T	81.4/76.1
R564	7030003200	S.RES ERJ3GEYJ 100 V (10)	T	78.1/74.4
R566	7030003480	S.RES ERJ3GEYJ 222 V (2.2K)	B	9.9/62.8
R567	7030003640	S.RES ERJ3GEYJ 473 V (4.7K)	B	9.9/61.5
R568	7030003340	S.RES ERJ3GEYJ 151 V (15K)	B	10.5/69.4
R901	7030003500	S.RES ERJ3GEYJ 332 V (3.3K)	T	17.2/61.8
R902	7030003500	S.RES ERJ3GEYJ 332 V (3.3K)	T	12.4/68.6
R903	7030003640	S.RES ERJ3GEYJ 473 V (4.7K)	B	12.9/58.4
R904	7030003860	S.RES ERJ3GE JPW V	T	15.9/68.2
R905	7030003860	S.RES ERJ3GE JPW V	T	17.9/71.2
R906	7030003860	S.RES ERJ3GE JPW V	B	69.8/76.1
R907	7030003860	S.RES ERJ3GE JPW V	B	81.4/74.4
R908	7030003860	S.RES ERJ3GE JPW V	B	78.1/74.4
R909	7030003860	S.RES ERJ3GE JPW V	B	9.9/62.8
R910	7030003860	S.RES ERJ3GE JPW V	B	9.9/61.5

[LOGIC-D UNIT]

REF NO.	PARTS NO.	DESCRIPTION	M.	H/V LOCATION
R911	7030003860	S.RES ERJ3GE JPW V	T	71.6/27.4
R912	7030003860	S.RES ERJ3GE JPW V	T	77.3/18.3
R913	7030003860	S.RES ERJ3GE JPW V	B	77.7/13.3
R914	7030003860	S.RES ERJ3GE JPW V	B	7.7/40.4
R915	7030003860	S.RES ERJ3GE JPW V	B	36/77.1
R916	7030003320	S.RES ERJ3GEYJ 101 V (100)	B	33.3/14.9
R917	7030003560	S.RES ERJ3GEYJ 103 V (10K)	B	31.4/9.9
R918	7030003860	S.RES ERJ3GE JPW V	B	16.7/66.9
R919	7030003860	S.RES ERJ3GE JPW V	B	14.3/63.6
C51	4030006860	S.CER C1608 JB 1H 102K-T	B	44.4/74
C52	4030011600	S.CER C1608 JB 1E 104K-T	T	43.4/71
C53	4030011600	S.CER C1608 JB 1H 104K-T	B	43.9/63.2
C54	4030011600	S.CER C1608 JB 1E 104K-T	B	36.7/44.6
C55	4030011600	S.CER C1608 JB 1E 104K-T	T	54.4/73
C56	4030008560	S.CER C1608 CH 1H 300J-T	T	48.9/54.4
C57	4030008560	S.CER C1608 CH 1H 300J-T	T	47.6/54.1
C58	4030006900	S.CER C1608 JB 1H 103K-T	B	54.1/45.9
C59	4030011600	S.CER C1608 JB 1E 104K-T	T	61.9/46.6
C60	4030011600	S.CER C1608 JB 1E 104K-T	T	70.4/46.7
C61	4030007090	S.CER C1608 CH 1H 470J-T	B	46.4/57.3
C62	4030007090	S.CER C1608 CH 1H 470J-T	B	61.4/51.7
C63	4030007090	S.CER C1608 CH 1H 470J-T	B	63.3/52.5
C64	4030007090	S.CER C1608 CH 1H 470J-T	B	64.6/47.1
C65	4030007090	S.CER C1608 CH 1H 470J-T	B	57.3/44
C66	4030007090	S.CER C1608 CH 1H 470J-T	B	57.2/42.7
C67	4030007090	S.CER C1608 CH 1H 470J-T	B	71.5/67.3
C68	4030007090	S.CER C1608 CH 1H 470J-T	B	70.3/60.4
C69	4030007090	S.CER C1608 CH 1H 470J-T	B	66/52.2
C86	4030006900	S.CER C1608 JB 1H 103K-T	B	47.1/55.5
C88	4030006860	S.CER C1608 JB 1H 471K-T	B	46.3/77.3
C101	4030006900	S.CER C1608 JB 1H 103K-T	T	106.1/64.6
C102	4030006900	S.CER C1608 JB 1H 103K-T	T	110.9/63.2
C103	4030006900	S.CER C1608 JB 1H 103K-T	B	113.2/62.4
C104	4030006900	S.CER C1608 JB 1H 103K-T	T	113.1/53.2
C113	4030011600	S.CER C1608 JB 1E 104K-T	T	108.5/33.6
C118	4030007050	S.CER C1608 CH 1H 220J-T	B	12/76.3
C119	4030007050	S.CER C1608 CH 1H 220J-T	B	13.5/76.3
C120	4030007050	S.CER C1608 CH 1H 220J-T	B	15/76.3
C150	4030006900	S.CER C1608 JB 1H 103K-T	T	86.5/21.2
C151	4030011600	S.CER C1608 JB 1E 104K-T	T	104/16.1
C152	4550007520	S.TAN F931A106MAABMA	T	105.7/16.9
C153	4030012600	S.CER C2012 JB 1A 105M-T	T	91.3/15.3
C154	4030011600	S.CER C1608 JB 1E 104K-T	T	91.5/13.7
C155	4030006860	S.CER C1608 JB 1H 102K-T	T	100.9/12.4
C156	4030006860	S.CER C1608 JB 1H 102K-T	T	104/13.5
C157	4030011600	S.CER C1608 JB 1E 104K-T	B	102.9/15.9
C158	4030011600	S.CER C1608 JB 1E 104K-T	T	91.1/21.3
C159	4030007130	S.CER C1608 CH 1H 101J-T	T	91.4/16.9
C160	4030008890	S.CER C1608 JB 1H 273K-T	B	100/12.2
C161	4030008890	S.CER C1608 JB 1H 273K-T	B	98.2/14.3
C162	4030007000	S.CER C1608 CH 1H 090D-T	B	93.3/14.5
C200	4030011600	S.CER C1608 JB 1E 104K-T	B	34.6/60.2
C202	4610001590	S.TRI TZC3R100A110R00 (TZC03R100A110)	T	24.6/42.1
C203	4030011600	S.CER C1608 JB 1E 104K-T	T	28.1/39.3
C204	4030006980	S.CER C1608 CH 1H 070D-T	T	23.7/38.8
C206	4030006900	S.CER C1608 JB 1H 103K-T	T	18.2/25
C207	4030011600	S.CER C1608 JB 1E 104K-T	T	24.2/11.8
C208	4030006900	S.CER C1608 JB 1H 103K-T	T	33.4/11
C209	4030011600	S.CER C1608 JB 1E 104K-T	T	43.5/13.8
C210	4030011600	S.CER C1608 JB 1E 104K-T	B	32.1/35.7
C211	4030011600	S.CER C1608 JB 1E 104K-T	B	23.4/32.6
C212	4030009650	S.CER C1608 CH 1H 240J-T	T	39.3/34
C213	4030006980	S.CER C1608 CH 1H 070D-T	B	32.3/39
C214	4030006900	S.CER C1608 JB 1H 103K-T	B	38.1/36.3
C215	4610001590	S.TRI TZC3R100A110R00 (TZC03R100A110)	T	32/39.8
C216	4550007710	S.TAN TEESVB2 1A 476M8R	T	26.1/9.4
C300	4550006250	S.TAN TEESVA 1A 106M8R	T	56.5/21.4
C301	4030010040	S.CER C1608 JB 1H 561K-T	T	59/28.1
C302	4030009490	S.CER C1608 JB 1H 821K-T	T	65/25.4
C303	4340000610	S.MYL ECHU 1H 121GX5	T	60.7/22.5
C304	4030007170	S.CER C1608 CH 1H 221J-T	T	67.4/20.3
C305	4030007170	S.CER C1608 CH 1H 221J-T	T	67.7/21.6
C306	4030007170	S.CER C1608 CH 1H 221J-T	T	65/22.8
C307	4030007170	S.CER C1608 CH 1H 221J-T	T	65/20.2
C308	455000			

[LOGIC-D UNIT]

REF NO.	PARTS NO.	DESCRIPTION	M.	H/V LOCATION
C363	4030008920	S.CER C1608 JB 1H 473K-T	T	82/23.8
C364	4030011600	S.CER C1608 JB 1E 104K-T	T	93.3/24.4
C400	4030006850	S.CER C1608 JB 1H 471K-T	T	17.6/11.9
C401	4030007090	S.CER C1608 CH 1H 470J-T	T	17.6/13.2
C402	4030006900	S.CER C1608 JB 1H 103K-T	B	82/23.6
C403	4030007090	S.CER C1608 CH 1H 470J-T	B	16.8/25.1
C404	4030007090	S.CER C1608 CH 1H 470J-T	B	18.1/24.6
C405	4030007090	S.CER C1608 CH 1H 470J-T	B	15.5/25.1
C406	4030007090	S.CER C1608 CH 1H 470J-T	B	14.2/25.1
C407	4030007090	S.CER C1608 CH 1H 470J-T	T	38.8/74.1
C408	4030007090	S.CER C1608 CH 1H 470J-T	B	83.4/16.8
C409	4030007130	S.CER C1608 CH 1H 101J-T	B	77.1/20.2
C410	4030007130	S.CER C1608 CH 1H 101J-T	T	76.8/23.6
C411	4030007130	S.CER C1608 CH 1H 101J-T	B	83.9/23.8
C412	4030007130	S.CER C1608 CH 1H 101J-T	B	86.6/19.4
C413	4030007090	S.CER C1608 CH 1H 470J-T	T	43.3/74.9
C414	4030007090	S.CER C1608 CH 1H 470J-T	B	31.7/71.5
C415	4030007090	S.CER C1608 CH 1H 470J-T	B	30.4/71.5
C416	4030007090	S.CER C1608 CH 1H 470J-T	B	31.2/74.2
C417	4030007090	S.CER C1608 CH 1H 470J-T	B	29.1/71.5
C418	4030007090	S.CER C1608 CH 1H 470J-T	B	27.8/71.5
C419	4030007090	S.CER C1608 CH 1H 470J-T	B	26.5/71.5
C420	4030007090	S.CER C1608 CH 1H 470J-T	B	41.6/80.7
C421	4030007090	S.CER C1608 CH 1H 470J-T	B	29.6/81.1
C422	4030007090	S.CER C1608 CH 1H 470J-T	B	8.2/21.4
C423	4030007090	S.CER C1608 CH 1H 470J-T	B	9.5/21.4
C424	4030007090	S.CER C1608 CH 1H 470J-T	B	72/22.8
C425	4030007090	S.CER C1608 CH 1H 470J-T	B	71.3/20.2
C426	4030007090	S.CER C1608 CH 1H 470J-T	B	73.4/16.7
C427	4030007090	S.CER C1608 CH 1H 470J-T	T	74.9/24.1
C428	4030007090	S.CER C1608 CH 1H 470J-T	B	76.9/22.9
C429	4030007090	S.CER C1608 CH 1H 470J-T	T	78.1/22.8
C430	4030007090	S.CER C1608 CH 1H 470J-T	T	79.4/22.8
C431	4030007090	S.CER C1608 CH 1H 470J-T	B	87.3/13.2
C432	4030007090	S.CER C1608 CH 1H 470J-T	B	80.6/23.6
C433	4030007090	S.CER C1608 CH 1H 470J-T	B	80.9/20.2
C434	4030007090	S.CER C1608 CH 1H 470J-T	B	80.3/12.5
C435	4030007090	S.CER C1608 CH 1H 470J-T	B	82.2/20.2
C437	4030007090	S.CER C1608 CH 1H 470J-T	B	84.7/18.4
C438	4030007090	S.CER C1608 CH 1H 470J-T	B	22/23.6
C442	4030011600	S.CER C1608 JB 1E 104K-T	T	80.7/23.6
C443	4030011810	S.CER C1608 JB 1A 224K-T	B	71.3/24.6
C500	4510009950	S.ELE EEEHC1C470P	B	84.4/69.5
C501	4030011600	S.CER C1608 JB 1E 104K-T	T	84.1/72.4
C502	4030011600	S.CER C1608 JB 1E 104K-T	T	86.5/73
C503	4510009950	S.ELE EEEHC1C470P	B	96.2/69.9
C504	4030006850	S.CER C1608 JB 1H 471K-T	T	86.5/71.7
C506	4030011600	S.CER C1608 JB 1E 104K-T	T	58.6/13.5
C509	4550006250	S.TAN TEESVA 1A 106M8R	T	85.3/70
C510	4030011600	S.CER C1608 JB 1E 104K-T	T	97.4/23.8
C511	4030011600	S.CER C1608 JB 1E 104K-T	T	90.5/70.2
C512	4550006250	S.TAN TEESVA 1A 106M8R	T	88.8/70.4
C513	4510007130	S.ELE EEFCD 0J 470R	T	98.6/79.1
C514	4030006850	S.CER C1608 JB 1H 471K-T	T	109.3/81.9
C515	4510008910	S.ELE EEEFC1C101P	B	109.5/69.3
C516	4510010130	S.ELE UWTC100MCL2GB	B	64.2/82
C517	4030011600	S.CER C1608 JB 1E 104K-T	T	66.9/81.3
C518	4030011600	S.CER C1608 JB 1E 104K-T	T	64.5/78.5
C519	4550006250	S.TAN TEESVA 1A 106M8R	T	65.2/75.9
C520	4550007520	S.TAN F931A106MAABMA	T	71.7/81.7
C521	4550007520	S.TAN F931A106MAABMA	B	69.4/70.9
C522	4550007090	S.TAN TEESVA 1A 226M8R	T	96.6/71.7
C550	4030008560	S.CER C1608 CH 1H 300J-T	T	4.2/69
C551	4030008560	S.CER C1608 CH 1H 300J-T	T	4.2/54
C553	4030011600	S.CER C1608 JB 1E 104K-T	B	15.4/59.9
C554	4030011600	S.CER C1608 JB 1E 104K-T	T	18.1/62.2
C556	4030008900	S.CER C1608 JB 1H 333K-T	B	18.7/70.1
C557	4550007520	S.TAN F931A106MAABMA	T	13.5/75.1
C558	4030006900	S.CER C1608 JB 1H 103K-T	T	15.2/73.9
C559	4030007090	S.CER C1608 CH 1H 470J-T	T	84/61.1
C561	4030007090	S.CER C1608 CH 1H 470J-T	B	85.7/57.4
C578	4030007090	S.CER C1608 CH 1H 470J-T	B	12.3/55
C579	4030007090	S.CER C1608 CH 1H 470J-T	B	10.7/53
C901	4030011600	S.CER C1608 JB 1E 104K-T	B	31.4/11.9
J50	6510019271	S.CON 52365-0671	T	5.1/49.9
J100	6510023861	S.CON S9B-ZR-SM4A-TF(LF)(SN)	B	18/83.2
J101	6510022820	S.CON AXN430C530P	B	17.2/14.8
J300	6510018351	S.CON S3B-ZR-SM4A-TF(LF)(SN)	T	13.9/18.4
J400	6510022711	S.CON 30FLZ-SM2-TB(LF)(SN)	T	78/13.7
J401	6510022711	S.CON 30FLZ-SM2-TB(LF)(SN)	T	35/80.4
J901	6510021431	S.CON S8B-ZR-SM4A-TF(LF)(SN)	T	13.2/3
W1	8900013200	CAB OPC-1308 (2731 TRX-CTRL CABLE)		

[MAIN-D-2 UNIT]

REF NO.	PARTS NO.	DESCRIPTION	M.	H/V LOCATION
IC71	1110007750	S.IC MAX2682EUT+T	T	43.5/76.1
IC271	1110006750	S.IC TK14570LTL-G	T	81.6/93.6
IC343	1110005290	S.IC NJM2115V-TE1-#ZZZB	T	98.2/28.2
IC400	1130010100	S.IC LMX2352TMX/NOPB	B	25.6/64.8
IC550	1130007611	S.IC UPD3140GS-E1-A	B	12.7/35
IC830	1180003470	S.REG NJM2835DL1-05-TE1-#ZZZB	T	45.5/21.7
IC832	1110007510	S.IC NJM2717RB1-TE1-#ZZZB	B	57.9/32.6
IC890	1110007490	S.IC TRF3701IRHC	B	48.1/40.7
IC960	1110007740	S.IC UPC8187TB-E3-A	B	53.3/61.8
IC1021	1110006430	S.IC UPC1678GV-E1-A	T	68.1/53.9
IC1250	1110002751	S.IC TA75S01F(TE85R,F)	B	78.9/124.3
IC1251	1110002751	S.IC TA75S01F(TE85R,F)	B	80.1/116
IC1330	1180002080	S.REG BA09FP-E2	B	75.3/89
IC1331	1180001072	S.IC TA7805F(TE16L1,NQ)	B	77/100.9
IC1332	1180002020	S.REG BA033FP-E2	B	36.4/96.1
Q1	1590003960	S.FET NE3508M04-T2	T	57.3/105.2
Q131	1580000830	S.FET BB506CFS-TL-E	T	40.7/57.9
Q270	1530002601	S.TRA 2SC4215-O(TE85R,F)	T	62.6/41
Q271	1530002601	S.TRA 2SC4215-O(TE85R,F)	T	65.6/41
Q400	1530002920	S.TRA 2SC4226-T1 R25	T	23.2/52.5
Q470	1540000661	S.TRA 2SD2216GSSL	T	14.6/74.6
Q471	1530003321	S.TRA 2SC5108-Y(TE85R,F)	T	25.6/73.1
Q472	1530003321	S.TRA 2SC5108-Y(TE85R,F)	T	23.5/73.3
Q473	1530002920	S.TRA 2SC4226-T1 R25	T	29.9/67.6
Q474	1530003311	S.TRA 2SC5107-O(TE85R,F)	B	29/72.8
Q631	1530002920	S.TRA 2SC4226-T1 R25	T	23.7/32.8
Q632	1530002920	S.TRA 2SC4226-T1 R25	T	29/30.2
Q633	1530002920	S.TRA 2SC4226-T1 R25	B	26.3/29.8
Q634	1540000661	S.TRA 2SD2216GSSL	T	30.3/35
Q710	1530003311	S.TRA 2SC5107-O(TE85R,F)	B	38.6/73.3
Q770	1590001330	S.TRA DTA114EUA T106	B	34.1/58.8
Q771	1530002920	S.TRA 2SC4226-T1 R25	T	26.6/41.1
Q890	1530003311	S.TRA 2SC5107-O(TE85R,F)	B	35.3/39.4
Q1080	1560001091	S.FET 2SK2854(T2LICOM,F)	B	98.4/39.0
Q1081	1560001091	S.FET 2SK2854(T2LICOM,F)	B	108.6/38.2
Q1082	1540000471	S.TRA 2SD1801S-TL-E	B	76.3/65.4
Q1250	1590000430	S.TRA DTC144EUA T106	B	64.7/127.1
Q1330	1590001320	S.TRA DTC143ZUA T106	B	63.8/108.7
Q1331	1510000890	S.TRA DTA143TU T106	B	63.8/105.3
Q1332	1530003910	S.TRA 2SC4684(TE16L1 NQ)	B	63.4/98.6
Q1333	1520000730	S.TRA 2SB934P(DS)-(TX)	B	76.3/75.5
Q1334	1530002280	S.TRA 2SC4081 T106 S	B	63.1/74.7
Q1335	1590000430	S.TRA DTC144EUA T106	B	62.8/71.6
Q1336	1540000441	S.TRA 2SD1619T-TD-E	B	26.6/95.1
Q1337	1510000581	S.TRA 2SA1362-GR(TE85R,F)	T	37/89.7
Q1338	1590000430	S.TRA DTC144EUA T106	T	27.5/95.2
Q1340	1590000430	S.TRA DTC144EUA T106	T	25/95.2
Q1341	1590000430	S.TRA DTC144EUA T106	T	35.4/96.8
Q1342	1510000581	S.TRA 2SA1362-GR(TE85R,F)	B	40.2/87.8
Q1343	1510000581	S.TRA 2SA1362-GR(TE85R,F)	B	42.9/93.8
Q1344	1590000430	S.TRA DTC144EUA T106	T	44.6/89.2
Q1350	1510000581	S.TRA 2SA1362-GR(TE85R,F)	B	39.9/34.3
Q1351	1590000680	S.TRA DTC114EUA T106	B	35.6/32.9
Q1352	1590000430	S.TRA DTC144EUA T106	B	48.2/89.4
Q1750	1520000201	S.TRA 2SB798-TZ-AZ DK	B	23.2/114.9
Q1751	1530002280	S.TRA 2SC4081 T106 S	T	26.5/119.1
Q1800	1590000430	S.TRA DTC144EUA T106	T	11/24.8
D401	1730002261	S.ZEN MAZ8030GHL	B	21.7/58.1
D470	1730002361	S.ZEN MAZ8062GML	T	14.1/69.1
D471	1720000471	S.VAR 1SV239(TPH3,F)	T	20.8/76.9
D630	1720000691	S.VAR 1SV282(TPH2,F)	T	14.5/41
D633	1730002301	S.ZEN MAZ8082GML	T	35.3/38.7
D710	1790001621	S.DIO 1SV308(TPL3,F)	B	41.8/64.6
D711	1790001621	S.DIO 1SV308(TPL3,F)	B	41.5/69.5
D770	1750000581	S.DIO 1SV307(TPH3,F)	B	31.2/39.9
D771	1750000581	S.DIO 1SV307(TPH3,F)	B	29/44.3
D1080	1730002301	S.ZEN MAZ8082GML	B	83.1/67.6
D1160	1750000760	S.DIO MA4PH224 (MA4P1250-1072T)	T	90.9/106.4
D1161	1750000760	S.DIO MA4PH224 (MA4P1250-1072T)	T	81/108.5
D1162	1750000760	S.DIO MA4PH224 (MA4P1250-1072T)	T	77.8/111.5
D1164	1720000361	S.DIO HSU88TRF-E	T	88.4/121.8
D1165	1720000361	S.DIO HSU88TRF-E	T	93.1/126.3
D1166	1720000361	S.DIO HSU88TRF-E	T	95.7/109.5
D1168	1790001041	S.ZEN MAZ8033GLL	B	64.7/119.1
D1169	1790001041	S.ZEN MAZ8033GLL	B	64.7/122.4
D1170	1720000361	S.DIO HSU88TRF-E	T	111.9/118
D1250	1720000361	S.DIO HSU88TRF-E	T	69.1/124.2
D1251	1720000361	S.DIO HSU88TRF-E	B	71.6/121.4
D1252	1720000361	S.DIO HSU88TRF-E	B	74.6/120.2
D1254	1790001261	S.DIO MA2S077GOL	B	80/121.3
D1330	1790000700	DIO DSA3A1		
D1331	1750000550	S.DIO 1SS355 TE-17	B	68.1/70.7
D1332	1750000550	S.DIO 1SS355 TE-17	T	27.3/92
D1333	1750000550	S.DIO 1SS355 TE-17	T	29.1/92
D1750	1730002301	S.ZEN MAZ8082GML	T	26.4/121.3
D1800	1750000550	S.DIO 1SS355 TE-17	T	13.5/23.2
D1801	1750000550	S.DIO 1SS355 TE-17	T	8.6/22.3
F11	2040001660	S.FIL LFB431G28SN1A362 (LFSN30N18C1)	T	51.3/100.6
F12	2040001660	S.FIL LFB431G28SN1A362 (LFSN30N18C1)	T	51.3/88.9
F171	2040001650	S.SAW WF447B-T	T	47.2/68.9
FI272	2020002190	CER SFELF10M7HA0G-B0		
FI273	2020002190	CER SFELF10M7HA0G-B0		
F1880	2040001650	S.SAW WF447B-T	T	50.2/51.5
F1961	2040001660	S.FIL LFB431G28SN1A362 (LFSN30N18C1)	T	63.6/62.6
F11020	2040001660	S.FIL LFB431G28SN1A362 (LFSN30N18C1)	T	85/48.4

M.=Mounted side (T: Mounted on the Top side, B: Mounted on the Bottom side)
S.=Surface mount

[MAIN-D-2 UNIT]

REF NO.	PARTS NO.	DESCRIPTION	M.	H/V LOCATION
X271	6070000250	S.DIS CDSCB10M7GF122-R0	T	74.9/31
X400	6050012920	S.XTA CR-884 DSA35SD 15.3 MHz	T	14.3/55.1
L1	6200006040	S.COI LQP18M5N6C02D	T	66.8/105.6
L2	6200009950	S.COI LQP18M3N3C02D	T	64.7/108.8
L3	6200006030	S.COI LQP18M4N7C02D	T	60.5/105.3
L4	6200006030	S.COI LQP18M4N7C02D	T	59.2/105.3
L5	6200006030	S.COI LQP18M4N7C02D	T	56.9/101.3
L71	6200006991	S.COI ELJRE 56NGFA	T	46.4/79.1
L72	6200006991	S.COI ELJRE 56NGFA	T	47.6/72.7
L73	6200006991	S.COI ELJRE 56NGFA	T	42.3/68.8
L74	6200009351	S.COI ELJRE R22GFA	T	41.4/60.5
L131	6200002710	S.COI ELJFC 1R8K-F	T	40.8/54.5
L132	6200001981	S.COI NLV25T-1R0J	T	40.8/51.1
L271	6200011820	S.COI 1812CS-562XJLC	T	75/34.6
L400	6200006991	S.COI ELJRE 56NGFA	T	9.4/66.9
L404	6200006991	S.COI ELJRE 56NGFA	B	14.9/63.7
L415	6200006991	S.COI ELJRE 56NGFA	T	9.5/49.5
L470	6200006991	S.COI ELJRE 56NGFA	T	23.5/69.5
L472	6200009390	S.COI C3328A-8N0J-A	T	24.6/78.2
L473	6200002631	S.COI NLV25T-R10J	T	20/79.4
L474	6200005621	S.COI ELJRE 4N7ZFA	T	32.2/67.6
L475	6200005641	S.COI ELJRE 6N8ZFA	T	32.2/70.2
L476	6200005651	S.COI ELJRE 8N2ZFA	T	35.3/73.4
L477	6200005641	S.COI ELJRE 6N8ZFA	T	35.3/77.3
L480	6200005641	S.COI ELJRE 6N8ZFA	B	27.4/74.9
L481	6200006991	S.COI ELJRE 56NGFA	T	14.3/77.8
L550	6200001981	S.COI NLV25T-1R0J	B	22.3/34.6
L554	6200006991	S.COI ELJRE 56NGFA	B	25.2/37.6
L556	6200009351	S.COI ELJRE R22GFA	B	2.5/44.9
L557	6200009351	S.COI ELJRE R22GFA	T	4/29.7
L630	6200009700	S.COI C6328A-28NG-A	T	17.7/39.1
L631	6200005701	S.COI ELJRE 22NGFA	B	21.4/30.4
L632	6200006991	S.COI ELJRE 56NGFA	T	32.8/30.8
L633	6200001981	S.COI NLV25T-1R0J	T	17.7/43.9
L636	6200006991	S.COI ELJRE 56NGFA	T	26.7/33.5
L712	6200006991	S.COI ELJRE 56NGFA	T	38.4/76.7
L713	6200005621	S.COI ELJRE 4N7ZFA	B	36.6/68.7
L714	6200005641	S.COI ELJRE 6N8ZFA	B	36.4/74.3
L715	6200006991	S.COI ELJRE 56NGFA	B	32.1/75.9
L717	6200006991	S.COI ELJRE 56NGFA	T	9.9/69.5
L718	6200006991	S.COI ELJRE 56NGFA	T	33.7/59.8
L719	6200006991	S.COI ELJRE 56NGFA	T	39/68.7
L720	6200006991	S.COI ELJRE 56NGFA	T	33.9/55.6
L770	6200005701	S.COI ELJRE 22NGFA	B	31/50.4
L880	6200006991	S.COI ELJRE 56NGFA	T	49.6/45.5
L881	6200006991	S.COI ELJRE 56NGFA	T	45.2/52.6
L891	6200005711	S.COI ELJRE 27NGFA	T	40.9/45
L892	6200005721	S.COI ELJRE 33NGFA	T	46.5/57.8
L893	6200005731	S.COI ELJRE 39NGFA	T	46.5/60.4
L895	6200006991	S.COI ELJRE 56NGFA	B	38.2/36.5
L896	6200006991	S.COI ELJRE 56NGFA	B	37.5/38.6
L897	6200006991	S.COI ELJRE 56NGFA	B	42.7/41.4
L898	6200001981	S.COI NLV25T-1R0J	B	40.7/37.6
L961	6200006991	S.COI ELJRE 56NGFA	B	52.6/64.6
L962	6200005651	S.COI ELJRE 8N2ZFA	B	55.5/61.8
L964	6200006991	S.COI ELJRE 56NGFA	B	43.6/81
L1020	6200006991	S.COI ELJRE 56NGFA	B	69.1/53.7
L1021	6200012040	S.COI LL1608-FSL5N6S	T	72.8/53.8
L1080	6200006771	S.COI ELJRE 1N5ZFA	B	100.6/43.6
L1081	6200013080	S.COI 0.25-1.9-10TL 97.0N <COMO>	T	112.1/45.6
L1082	6200007740	S.COI LQW2BHN47N03L	T	107.3/48.1
L1085	6200006991	S.COI ELJRE 56NGFA	T	106.5/50.4
L1086	6200006991	S.COI ELJRE 56NGFA	T	99.8/46.6
L1087	6200006991	S.COI ELJRE 56NGFA	B	80.9/106.5
L1161	6200009700	S.COI C6328A-28NG-A	T	105.2/95.9
L1162	6200009410	S.COI C3328A-2N5K-A	T	85.1/108.6
L1163	6200009410	S.COI C3328A-2N5K-A	T	73.7/107.3
L1164	6200006991	S.COI ELJRE 56NGFA	B	97.4/127.1
L1166	6200009700	S.COI C6328A-28NG-A	T	93/83.6
L1167	6200008911	S.COI 1812CS-122XJLC	T	101.1/84.8
L1169	6200006991	S.COI ELJRE 56NGFA	T	113.2/69.8
L1170	6200006991	S.COI ELJRE 56NGFA	B	83.8/114
L1250	6200005741	S.COI ELJRE 47NGFA	B	60.8/126.1
L1251	6200006991	S.COI ELJRE 56NGFA	B	76.2/113
L1330	6200006991	S.COI ELJRE 56NGFA	T	21.2/93.5
L1331	6200006991	S.COI ELJRE 56NGFA	B	22.9/92.3
L1332	6200006991	S.COI ELJRE 56NGFA	B	22.5/91
L1333	6200006991	S.COI ELJRE 56NGFA	B	45.2/81
L1334	6200006991	S.COI ELJRE 56NGFA	B	56.7/71.6
L1335	6200006991	S.COI ELJRE 56NGFA	B	62.2/76.6
L1348	6200006991	S.COI ELJRE 56NGFA	B	51.8/67.2
L1349	6200006991	S.COI ELJRE 56NGFA	B	58.7/57.8
L1360	6200006991	S.COI ELJRE 56NGFA	T	38/50
L1550	6200006991	S.COI ELJRE 56NGFA	B	17.2/56.8
L1804	6200006991	S.COI ELJRE 56NGFA	B	26.2/99.4
L1805	6200006991	S.COI ELJRE 56NGFA	B	54.5/108.5
L1806	6200007001	S.COI ELJRE 82NGFA	T	36.4/57.5
L1807	6200007001	S.COI ELJRE 82NGFA	T	47.1/77
L9201	6200011910	S.COI BLM31PG330SN1L	B	90.6/90.8
R1	7030003240	S.RES ERJ3GEYJ 220 V (22)	T	55.4/106.3
R2	7030003210	S.RES ERJ3GEYJ 120 V (12)	T	56.9/98.5
R7	7030003340	S.RES ERJ3GEYJ 151 V (150)	B	47/85
R8	7030003220	S.RES ERJ3GEYJ 150 V (15)	B	47.7/83.1
R70	7030003200	S.RES ERJ3GEYJ 100 V (10)	T	39.6/76.3
R84	7030003560	S.RES ERJ3GEYJ 103 V (10K)	T	91/28.7
R91	7030003320	S.RES ERJ3GEYJ 101 V (100)	T	101/24.9
R92	7030003680	S.RES ERJ3GEYJ 104 V (100K)	T	95.3/30
R93	7030003560	S.RES ERJ3GEYJ 103 V (10K)	T	93.6/30
R94	7030003610	S.RES ERJ3GEYJ 273 V (27K)	T	98.9/33.3
R132	7030003730	S.RES ERJ3GEYJ 274 V (270K)	T	39.5/59.8
R133	7030003360	S.RES ERJ3GEYJ 221 V (220)	T	43.4/54.9

[MAIN-D-2 UNIT]

REF NO.	PARTS NO.	DESCRIPTION	M.	H/V LOCATION
R134	7030003320	S.RES ERJ3GEYJ 101 V (100)	T	51.4/73.3
R135	7030003390	S.RES ERJ3GEYJ 391 V (390)	B	39.1/54.5
R270	7510001701	S.THE NTCG16 4LH 154JT	T	82.9/28
R271	7030003680	S.RES ERJ3GEYJ 104 V (100K)	T	80.4/28
R272	7030003860	S.RES ERJ3GE JPW V	T	84.9/26
R273	7030003680	S.RES ERJ3GEYJ 104 V (100K)	T	84.2/28
R274	7030003700	S.RES ERJ3GEYJ 154 V (150K)	T	85/24.8
R276	7030003480	S.RES ERJ3GEYJ 222 V (2.2K)	T	78.5/31
R277	7030003280	S.RES ERJ3GEYJ 470 V (47)	T	74.7/37.5
R279	7030003640	S.RES ERJ3GEYJ 473 V (47K)	B	72.3/3.8
R284	7030003320	S.RES ERJ3GEYJ 101 V (100)	T	59.9/40.6
R285	7030003320	S.RES ERJ3GEYJ 101 V (100)	T	67.2/43
R286	7030003440	S.RES ERJ3GEYJ 102 V (1K)	T	68.1/37.8
R287	7030003380	S.RES ERJ3GEYJ 331 V (330)	T	63.5/39.1
R288	7030003380	S.RES ERJ3GEYJ 331 V (330)	T	68.3/40.5
R289	7030003470	S.RES ERJ3GEYJ 182 V (1.8K)	T	63.5/37.9
R291	7030003680	S.RES ERJ3GEYJ 104 V (100K)	T	71.3/22.7
R292	7510001671	S.THR NTCG16 4BH 103JT	T	73.3/39.4
R293	7030003450	S.RES ERJ3GEYJ 122 V (1.2K)	T	74.1/41.3
R294	7030003250	S.RES ERJ3GEYJ 270 V (27)	B	46.3/51.8
R296	7030005331	S.RES ERA3YED 562V (5.6K)	T	74.7/39.4
R331	7030003770	S.RES ERJ3GEYJ 564 V (560K)	B	81.6/124.3
R340	7030003520	S.RES ERJ3GEYJ 472 V (4.7K)	T	67.3/35.3
R400	7030003440	S.RES ERJ3GEYJ 102 V (1K)	B	25.2/54.9
R401	7030003440	S.RES ERJ3GEYJ 102 V (1K)	B	28.4/56.8
R402	7030003440	S.RES ERJ3GEYJ 102 V (1K)	B	31.6/68.9
R403	7030003440	S.RES ERJ3GEYJ 102 V (1K)	B	29.9/58.6
R404	7030003440	S.RES ERJ3GEYJ 102 V (1K)	B	31.4/59.4
R405	7030003290	S.RES ERJ3GEYJ 260 V (56)	B	27.9/70.5
R406	7030003460	S.RES ERJ3GEYJ 152 V (1.5K)	B	18.8/73.4
R407	7030003440	S.RES ERJ3GEYJ 102 V (1K)	B	20.7/74.3
R409	7030003320	S.RES ERJ3GEYJ 101 V (100)	T	23/55.7
R410	7030003660	S.RES ERJ3GEYJ 683 V (68K)	T	23/54.4
R411	7030003440	S.RES ERJ3GEYJ 102 V (1K)	T	20.8/49.7
R412	7030003670	S.RES ERJ3GEYJ 823 V (82K)	T	20.4/51.7
R413	7030003360	S.RES ERJ3GEYJ 221 V (220)	T	21/55
R414	7030003560	S.RES ERJ3GEYJ 103 V (10K)	T	23/57.1
R415	7030003550	S.RES ERJ3GEYJ 822 V (8.2K)	T	11/50.7
R416	7030003350	S.RES ERJ3GEYJ 181 V (180)	T	20.2/57.1
R417	7030003490	S.RES ERJ3GEYJ 272 V (2.7K)	B	25.2/56.4
R418	7030003490	S.RES ERJ3GEYJ 272 V (2.7K)	B	27.1/59
R419	7030003490	S.RES ERJ3GEYJ 272 V (2.7K)	B	31/61.3
R420	7030003460	S.RES ERJ3GEYJ 152 V (1.5K)	B	32.2/66.8
R421	7030003350	S.RES ERJ3GEYJ 181 V (180)	T	22/59
R422	7030003440	S.RES ERJ3GEYJ 102 V (1K)	B	15.4/78.2
R470	7030003360	S.RES ERJ3GEYJ 221 V (220)	T	14.9/71.5
R471	7030005351	S.RES ERA3YED 182V (1.8K)	T	27.5/74
R472	7030005321	S.RES ERA3YED 103V (10K)	T	27.3/76.7
R473	7030008121	S.RES ERA3YED 682V (6.8K)	T	21.2/72.7
R474	7030003400	S.RES ERJ3GEYJ 471 V (470)	T	21.2/75.3
R475	7030003300	S.RES ERJ3GEYJ 680 V (68)	T	26.7/67.6
R476	7030003610	S.RES ERJ3GEYJ 273 V (27K)	T	28/67.6
R478	7030003320	S.RES ERJ3GEYJ 101 V (100)	T	27.3/69.5
R479	7030003360	S.RES ERJ3GEYJ 221 V (220)	T	35.4/66.8
R480	7030003370	S.RES ERJ3GEYJ 271 V (270)	B	36/76.5
R481	7030003280	S.RES ERJ3GEYJ 470 V (47)	T	29.9/75.7
R483	7030003650	S.RES ERJ3GEYJ 563 V (56K)	B	29.3/74.7
R484	7030003320	S.RES ERJ3GEYJ 101 V (100)	B	28.7/78.1
R485	7030003240	S.RES ERJ3GEYJ 220 V (22)	T	31.3/65.6
R486	7030003320	S.RES ERJ3GEYJ 101 V (100)	T	14.9/72.7
R487	7030011050	S.RES ERA3YHD 100V (10)	T	21.9/79
R550	7030003290	S.RES ERJ3GEYJ 560 V (56)	B	18.2/34.1
R551	7030003440	S.RES ERJ3GEYJ 102 V (1K)	B	11.1/27.5
R552	7030003440	S.RES ERJ3GEYJ 102 V (1K)	B	9.5/26.7
R553	7030003440	S.RES ERJ3GEYJ 102 V (1K)	B	7.9/27.5
R554	7030003440	S.RES ERJ3GEYJ 102 V (1K)	B	6.3/26.7
R555	7030003400	S.RES ERJ3GEYJ 102 V (1K)	B	10.

[MAIN-D-2 UNIT]

REF NO.	PARTS NO.	DESCRIPTION	M.	H/V LOCATION
R836	7030003320	S.RES ERJ3GEYJ 101 V (100)	B	54.3/35.6
R837	7030005341	S.RES ERA3YED 332V (3.3K)	B	60.5/28.4
R838	7030009591	S.RES ERA3YED 472V (4.7K)	B	57.9/26.1
R839	7030003320	S.RES ERJ3GEYJ 101 V (100)	B	55.2/26.5
R842	7030003320	S.RES ERJ3GEYJ 101 V (100)	B	46.5/33.6
R845	7030003440	S.RES ERJ3GEYJ 102 V (1K)	B	49.7/32.9
R847	7030003440	S.RES ERJ3GEYJ 102 V (1K)	B	47.1/31.7
R848	7030003440	S.RES ERJ3GEYJ 102 V (1K)	B	48.3/31.7
R849	7030006461	S.RES ERA3YED 152V (1.5K)	B	60.6/35.4
R850	7030007230	S.RES ERA3YED 102V (1K)	B	61.4/32.8
R851	7030005351	S.RES ERA3YED 182V (1.8K)	B	60.2/32.8
R852	7030005351	S.RES ERA3YED 182V (1.8K)	B	61.8/35.4
R890	7030003640	S.RES ERJ3GEYJ 473 V (47K)	B	35.4/37.5
R891	7030003400	S.RES ERJ3GEYJ 471 V (470)	B	38.1/44.1
R892	7030003400	S.RES ERJ3GEYJ 471 V (470)	B	35.4/42.6
R893	7030003200	S.RES ERJ3GEYJ 100 V (10)	B	38.9/42.2
R895	7030003320	S.RES ERJ3GEYJ 101 V (100)	B	35.6/36.2
R897	7030003290	S.RES ERJ3GEYJ 560 V (56)	B	44.7/46.8
R898	7030003320	S.RES ERJ3GEYJ 101 V (100)	B	46.5/34.9
R899	7030003340	S.RES ERJ3GEYJ 151 V (150)	B	55/45.9
R900	7030003270	S.RES ERJ3GEYJ 390 V (39)	B	52.6/44.3
R960	7030003430	S.RES ERJ3GEYJ 821 V (820)	T	60.4/60.6
R961	7030003320	S.RES ERJ3GEYJ 101 V (100)	B	45.9/62.5
R963	7030003430	S.RES ERJ3GEYJ 821 V (820)	B	55.2/64.6
R964	7030004030	S.RES ERJ3GEYJ 5R6 V (5.6)	B	59.9/64
R1020	7030003320	S.RES ERJ3GEYJ 101 V (100)	B	83.2/121.9
R1023	7030003430	S.RES ERJ3GEYJ 821 V (820)	T	78.6/46.6
R1024	7030004030	S.RES ERJ3GEYJ 5R6 V (5.6)	T	79.4/48.5
R1025	7030003430	S.RES ERJ3GEYJ 821 V (820)	T	80.1/46.6
R1028	7030003430	S.RES ERJ3GEYJ 821 V (820)	B	88.6/41
R1029	7030004030	S.RES ERJ3GEYJ 5R6 V (5.6)	B	89.4/43.1
R1030	7030003430	S.RES ERJ3GEYJ 821 V (820)	B	90.8/40.9
R1080	7030003360	S.RES ERJ3GEYJ 221 V (220)	B	94.6/43.9
R1081	7030003460	S.RES ERJ3GEYJ 152 V (1.5K)	B	93/45.5
R1083	7030003350	S.RES ERJ3GEYJ 181 V (180)	B	76.2/69.8
R1084	7030003300	S.RES ERJ3GEYJ 680 V (68)	B	105.1/43.3
R1085	7030003420	S.RES ERJ3GEYJ 681 V (680)	T	107.3/45.9
R1086	7310005600	S.TRI TMC3ADCJ3X (2.2K)	T	73.9/117.4
R1087	7310005580	S.TRI TMC3ADCS3X (4.7K)	T	80/118.3
R1088	7030003430	S.RES ERJ3GEYJ 821 V (820)	T	104.6/44
R1090	7030010970	S.RES ERJ1TYJ 151U	B	121.7/53.4
R1091	7030003320	S.RES ERJ3GEYJ 101 V (100)	T	110.4/69.8
R1160	7030010420	S.RES ERJ1TYJ 560U (56)	T	106.4/88.2
R1161	7030003520	S.RES ERJ3GEYJ 472 V (4.7K)	T	86.7/119.4
R1163	7030003560	S.RES ERJ3GEYJ 103 V (10K)	T	98.6/106.5
R1164	7030000260	S.RES MCR10EZJH 100 (101)	T	99.8/109.5
R1165	7030003640	S.RES ERJ3GEYJ 473 V (47K)	B	95/127.9
R1167	7030000340	S.RES MCR10EZJH 470 (471)	T	105.8/118
R1169	7030000500	S.RES MCR10EZJH 10 K (103)	B	120.8/126.2
R1170	7030006260	S.RES ERJ12YJ471U (470)	B	67.7/121.6
R1172	7030000380	S.RES MCR10EZJH 1 K (102)	T	102.3/110.6
R1250	7030003530	S.RES ERJ3GEYJ 562 V (5.6K)	B	71.6/124.6
R1251	7310005600	S.TRI TMC3ADCJ3X (2.2K)	T	73.4/126.7
R1252	7030003470	S.RES ERJ3GEYJ 182 V (1.8K)	T	69.7/127.8
R1254	7030003400	S.RES ERJ3GEYJ 471 V (470)	B	70.3/127.1
R1255	7030003560	S.RES ERJ3GEYJ 103 V (10K)	B	75.9/127.1
R1256	7030003600	S.RES ERJ3GEYJ 223 V (22K)	B	87.6/125.1
R1257	7030003600	S.RES ERJ3GEYJ 223 V (22K)	B	88.4/127.5
R1258	7030003320	S.RES ERJ3GEYJ 101 V (100)	B	77.6/121
R1259	7030003320	S.RES ERJ3GEYJ 101 V (100)	B	77/115.1
R1260	7030003560	S.RES ERJ3GEYJ 103 V (10K)	B	77.7/117.5
R1330	7030003200	S.RES ERJ3GEYJ 100 V (10)	B	64.6/102.8
R1331	7030003440	S.RES ERJ3GEYJ 102 V (1K)	B	66/104.9
R1332	7030003560	S.RES ERJ3GEYJ 103 V (10K)	B	65.8/75.5
R1333	7030003440	S.RES ERJ3GEYJ 102 V (1K)	B	64.1/74.4
R1334	7030000410	S.RES MCR10EZJH 1.8K (182)	B	59.5/73.3
R1335	7030000410	S.RES MCR10EZJH 1.8K (182)	B	59.5/75.3
R1336	7030007180	S.RES ERJ12YJ150U (15)	B	71.5/100
R1338	7030003520	S.RES ERJ3GEYJ 472 V (4.7K)	T	25.7/91.3
R1339	7030000100	S.RES MCR10EZJH 4.7 (4R7)	B	28.8/98.4
R1340	7030003440	S.RES ERJ3GEYJ 102 V (1K)	T	25.2/93.2
R1342	7030003560	S.RES ERJ3GEYJ 103 V (10K)	B	37.1/91.9
R1343	7030003440	S.RES ERJ3GEYJ 102 V (1K)	T	35.4/94
R1344	7030003560	S.RES ERJ3GEYJ 103 V (10K)	B	40.2/90.1
R1345	7030003440	S.RES ERJ3GEYJ 102 V (1K)	T	42.1/90.1
R1346	7030003560	S.RES ERJ3GEYJ 103 V (10K)	B	42.9/91.1
R1347	7030003440	S.RES ERJ3GEYJ 102 V (1K)	B	45.7/91.1
R1353	7030003460	S.RES ERJ3GEYJ 152 V (1.5K)	B	37.5/33.9
R1354	7030003560	S.RES ERJ3GEYJ 103 V (10K)	B	39.9/31.9
R1562	7030007180	S.RES ERJ12YJ150U (15)	B	42.9/113.9
R1750	7030003680	S.RES ERJ3GEYJ 104 V (100K)	T	25.3/115.6
R1751	7030003440	S.RES ERJ3GEYJ 102 V (1K)	T	29.3/121.3
R1800	7030003640	S.RES ERJ3GEYJ 473 V (47K)	T	8.7/20.7
R1801	7030003600	S.RES ERJ3GEYJ 223 V (22K)	B	4.2/25.9
R1802	7030003600	S.RES ERJ3GEYJ 223 V (22K)	T	13.7/24.8
R1804	7030003860	S.RES ERJ3GE JPW V	B	50/44.3
R9007	7030003640	S.RES ERJ3GEYJ 473 V (47K)	T	83.2/9
R9008	7030003640	S.RES ERJ3GEYJ 473 V (47K)	T	73.5/2.7
R9009	7030003640	S.RES ERJ3GEYJ 473 V (47K)	T	93.2/11.9
R9010	7030003640	S.RES ERJ3GEYJ 473 V (47K)	B	20.6/20.5
R9104	7030003340	S.RES ERJ3GEYJ 151 V (150)	T	68.7/61.4
R9105	7030003860	S.RES ERJ3GE JPW V	T	78.7/115.3
R9106	7030003440	S.RES ERJ3GEYJ 102 V (1K)	T	69.6/126.5
R9107	7030003560	S.RES ERJ3GEYJ 103 V (10K)	T	111.1/125.4
R9301	7030003860	S.RES ERJ3GE JPW V	T	51.3/96.2
R9303	7030003860	S.RES ERJ3GE JPW V	T	51.3/93.6
R9401	7030003550	S.RES ERJ3GEYJ 822 V (8.2K)	T	9.5/55.6
R9402	7030003500	S.RES ERJ3GEYJ 332 V (3.3K)	T	8.8/53.4
R9403	7030005430	S.RES ERJ3GEYJ 3R3 V (3.3)	T	58.5/108.4
R9405	7030003640	S.RES ERJ3GEYJ 473 V (47K)	B	27.3/26.2
R9406	7030003430	S.RES ERJ3GEYJ 821 V (820)	T	18.1/52.3
R9407	7030003860	S.RES ERJ3GE JPW V	T	25.1/71.2
R9408	7030003860	S.RES ERJ3GE JPW V	B	38.8/60.3
R9409	7030003690	S.RES ERJ3GEYJ 124 V (120K)	T	39.5/61
R9410	7030003860	S.RES ERJ3GE JPW V	B	67.1/9.8

[MAIN-D-2 UNIT]

REF NO.	PARTS NO.	DESCRIPTION	M.	H/V LOCATION
R9411	7030003860	S.RES ERJ3GE JPW V	T	17.5/59.6
R9412	7030003860	S.RES ERJ3GE JPW V	B	13.6/94.8
R9413	7030003860	S.RES ERJ3GE JPW V	B	33.6/60.9
R9414	7030003860	S.RES ERJ3GE JPW V	T	20.5/69.2
R9415	7030003860	S.RES ERJ3GE JPW V	B	26/42.2
R9416	7030003860	S.RES ERJ3GE JPW V	B	50.8/35.9
R9417	7030003860	S.RES ERJ3GE JPW V	B	42.7/39.6
R9418	7030003860	S.RES ERJ3GE JPW V	T	66.8/60.6
R9419	7030008240	S.RES ERJ12Y0R00U	B	68.9/113
R9420	7030008240	S.RES ERJ12Y0R00U	B	21.6/53.3
R9425	7030003320	S.RES ERJ3GEYJ 101 V (100)	T	45.8/76.7
R9426	7030003860	S.RES ERJ3GE JPW V	T	56.2/103.2
R9427	7030003860	S.RES ERJ3GE JPW V	T	71/38.3
R9428	7030003860	S.RES ERJ3GE JPW V	B	104.3/41.2
R9429	7030003860	S.RES ERJ3GE JPW V	B	101.9/42
R9430	7030003860	S.RES ERJ3GE JPW V	T	80.7/114.1
R9431	7030003860	S.RES ERJ3GE JPW V	B	73.1/127.1
R9432	7030003860	S.RES ERJ3GE JPW V	B	867/3
R9433	7030003860	S.RES ERJ3GE JPW V	B	88/5
R9434	7030008240	S.RES ERJ12Y0R00U	T	78.2/78.7
R9435	7030003680	S.RES ERJ3GEYJ 104 V (100K)	T	43.2/59.7
R9436	7030003860	S.RES ERJ3GE JPW V	T	56.1/96.6
R9437	7030003860	S.RES ERJ3GE JPW V	T	80.5/40.6
R9439	7030003860	S.RES ERJ3GE JPW V	T	82/39.4
R9440	7030003860	S.RES ERJ3GE JPW V	T	
C2	4030009530	S.CER C1608 CH 1H 030B-T	T	67.6/107.5
C3	4030009540	S.CER C1608 CH 1H 1R5B-T	T	65/107.5
C4	4030009540	S.CER C1608 CH 1H 1R5B-T	T	62.4/107.2
C5	4030009530	S.CER C1608 CH 1H 030B-T	T	59.7/107.2
C6	4030007090	S.CER C1608 CH 1H 470J-T	T	54.1/106.3
C7	4030006860	S.CER C1608 JB 1H 102K-T	T	56.3/108.2
C8	4030007090	S.CER C1608 CH 1H 470J-T	T	54.6/107.8
C9	4030007090	S.CER C1608 CH 1H 470J-T	T	58.8/103.2
C10	4030006860	S.CER C1608 JB 1H 102K-T	T	58.8/101.9
C11	4030007090	S.CER C1608 CH 1H 470J-T	T	58.8/100.6
C12	4030007000	S.CER C1608 CH 1H 090D-T	T	54.4/104.4
C13	4030007090	S.CER C1608 CH 1H 470J-T	T	58.8/99.3
C14	4030007010	S.CER C1608 CH 1H 100D-T	T	58.8/98
C15	4030006860	S.CER C1608 JB 1H 102K-T	T	58.8/96.7
C23	4030006860	S.CER C1608 JB 1H 102K-T	T	47.7/80.4
C70	4030006860	S.CER C1608 JB 1H 102K-T	T	39.6/73.5
C74	4550007080	S.TAN TEESVA 1C 106M8R	T	51.2/77.6
C76	4030006860	S.CER C1608 JB 1H 102K-T	T	41/78.4
C79	4030009910	S.CER C1608 CH 1H 040B-T	T	50.2/73.3
C81	4030009550	S.CER C1608 CH 1H 2R5B-T	T	41/68.8
C82	4030009910	S.CER C1608 CH 1H 040B-T	T	42.3/66.1
C131	4030006860	S.CER C1608 JB 1H 102K-T	T	38.2/56.8
C132	4030010760	S.CER C1608 CH 1H 331J-T	T	43.3/53.7
C133	4030006860	S.CER C1608 JB 1H 102K-T	T	43.6/57.3
C134	4030011600	S.CER C1608 JB 1E 104K-T	T	43.6/56.1
C136	4030006860	S.CER C1608 JB 1H 102K-T	T	43.3/52.5
C137	4030006900	S.CER C1608 JB 1H 103K-T	T	43.3/51.2
C138	4030011600	S.CER C1608 JB 1E 104K-T	T	43.3/49.9
C140	4030006860	S.CER C1608 JB 1H 102K-T	T	37.6/53.5
C207	4030011600	S.CER C1608 JB 1E 104K-T	B	71.1/3.8
C271	4030011600	S.CER C1608 JB 1E 104K-T	T	84.6/36.5
C272	4550006250	S.TAN TEESVA 1A 106M8R	T	85.9/31.6
C273	4030006900	S.CER C1608 JB 1H 103K-T	T	85.8/36.5
C274	4030006900	S.CER C1608 JB 1H 103K-T	T	81.2/37.6
C275	4030006900	S.CER C1608 JB 1H 103K-T	T	80/37.6
C276	4030006900	S.CER C1608 JB 1H 103K-T	T	78.5/33.9
C278	4030006900	S.CER C1608 JB 1H 103K-T	T	78.5/36.6
C281	4030006860	S.CER C1608 JB 1H 102K-T	T	81.7/28
C283	4030011600	S.CER C1608 JB 1E 104K-T	T	75.7/23.3
C287	4030006900	S.CER C1608 JB 1H 103K-T	T	65.2/36.4
C288	4030006860	S.CER C1608 JB 1H 102K-T	T	68.3/41.7
C295	4030006860	S.CER C1608 JB 1H 102K-T	T	63.9/43.1
C296	4030006900	S.CER C1608 JB 1H 103K-T	T	58.1/39.9
C297	4030006860	S.CER C1608 JB 1H 102K-T	T	82.9/37.5
C341	4030006860	S.CER C1608 JB 1H 102K-T	T	91/27.4
C343	4030011600	S.CER C1608 JB 1E 104K-T	T	101/30.2
C345	4030007110	S.CER C1608 CH 1H 680J-T	T	98.9/34.5
C346	4030011600	S.CER C1608 JB 1E 104K-T	T	102.4/25.9
C347	4510009460	S.ELE EEEHC1C100R	T	105.1/28.8
C349	4030011810	S.CER C1608 JB 1A 224K-T	T	91/30

[MAIN-D-2 UNIT]

REF NO.	PARTS NO.	DESCRIPTION	M.	H/V LOCATION
C433	4030006850	S.CER C1608 JB 1H 471K-T	B	31.8/56
C435	4030007090	S.CER C1608 CH 1H 470J-T	T	27.5/57.7
C436	4030007090	S.CER C1608 CH 1H 470J-T	B	20.6/67.6
C437	4030007090	S.CER C1608 CH 1H 470J-T	B	26.7/69.2
C467	4030007090	S.CER C1608 CH 1H 470J-T	B	13.6/77.5
C468	4030007090	S.CER C1608 CH 1H 470J-T	B	11/82
C469	4030007090	S.CER C1608 CH 1H 470J-T	B	12.9/80.3
C470	4030006850	S.CER C1608 JB 1H 471K-T	T	17.4/73.7
C471	4550007770	S.TAN TEESVB2 1C 336M8R	T	16.6/78.5
C472	4030017490	S.CER C1608 JB 1A 105K-T	T	14.8/65.6
C473	4030006850	S.CER C1608 JB 1H 471K-T	T	14.8/66.9
C474	4030011600	S.CER C1608 JB 1E 104K-T	T	18.5/66.4
C475	4030006860	S.CER C1608 JB 1H 102K-T	T	17.2/66.3
C476	4030007090	S.CER C1608 CH 1H 470J-T	T	17.1/70.6
C478	4030009500	S.CER C1608 CH 1H 0R5B-T	T	28.6/76.7
C479	4030009540	S.CER C1608 CH 1H 1R5B-T	T	27.3/79.3
C481	4030009540	S.CER C1608 CH 1H 1R5B-T	T	23.8/75
C482	4030009540	S.CER C1608 CH 1H 1R5B-T	T	21.2/74
C483	4030006860	S.CER C1608 JB 1H 102K-T	T	21.2/71.4
C484	4030009540	S.CER C1608 CH 1H 1R5B-T	T	27.5/71.4
C485	4030007090	S.CER C1608 CH 1H 470J-T	T	30.1/70
C486	4030007010	S.CER C1608 CH 1H 100D-T	T	30.1/71.3
C488	4030009540	S.CER C1608 CH 1H 1R5B-T	T	35.4/68.1
C489	4030009510	S.CER C1608 CH 1H 010B-T	T	33.5/67.6
C490	4030009530	S.CER C1608 CH 1H 030B-T	T	35.4/69.4
C491	4030009500	S.CER C1608 CH 1H 0R5B-T	T	33.5/70.2
C492	4030009520	S.CER C1608 CH 1H 020B-T	T	34.3/72.1
C493	4030009920	S.CER C1608 CH 1H 050B-T	T	32.2/72.8
C494	4030007020	S.CER C1608 CH 1H 120J-T	T	34.1/74.7
C495	4030009520	S.CER C1608 CH 1H 020B-T	T	32.2/75.4
C496	4030007070	S.CER C1608 CH 1H 330J-T	T	34.1/76
C497	4030009530	S.CER C1608 CH 1H 030B-T	T	33.7/78.6
C498	4030006850	S.CER C1608 JB 1H 471K-T	B	29.9/76
C500	4030006990	S.CER C1608 CH 1H 080D-T	T	29.4/73.1
C501	4030009910	S.CER C1608 CH 1H 040B-T	B	25.5/74.2
C503	4550007080	S.TAN TEESVA 1C 106M8R	T	18.8/70.3
C504	4030017540	S.CER C1005 CH 1H R75B-T	T	28.4/78.8
C550	4030006860	S.CER C1608 JB 1H 102K-T	B	19.3/22
C551	4030007030	S.CER C1608 CH 1H 150J-T	B	19.2/39.1
C552	4030006860	S.CER C1608 JB 1H 102K-T	B	21.1/38.9
C554	4030007090	S.CER C1608 CH 1H 470J-T	B	18.2/35.3
C555	4030011600	S.CER C1608 JB 1E 104K-T	B	13.2/40.3
C556	4030007090	S.CER C1608 CH 1H 470J-T	B	26.7/40.2
C558	4030007090	S.CER C1608 CH 1H 470J-T	B	13.2/41.6
C561	4030007090	S.CER C1608 CH 1H 470J-T	B	27/20.5
C562	4030007090	S.CER C1608 CH 1H 470J-T	B	12.7/27.5
C564	4550000270	S.TAN TEESVA 1E 474M8R	B	5/39.2
C567	4550000520	S.TAN TEESVA 1V 683M8R	T	12.8/42.1
C569	4030006860	S.CER C1608 JB 1H 102K-T	B	17.9/43.8
C575	4030006880	S.CER C1608 JB 1H 472K-T	B	12.8/49.7
C582	4030007090	S.CER C1608 CH 1H 470J-T	B	7.1/30.3
C583	4030007090	S.CER C1608 CH 1H 470J-T	B	8.4/30.3
C584	4030007090	S.CER C1608 CH 1H 470J-T	B	4.3/28.2
C585	4030007090	S.CER C1608 CH 1H 470J-T	B	25.5/20.5
C586	4030007090	S.CER C1608 CH 1H 470J-T	B	28.3/51.4
C587	4030007090	S.CER C1608 CH 1H 470J-T	B	26.8/44.1
C632	4030007030	S.CER C1608 CH 1H 150J-T	T	15.9/34.8
C638	4030006860	S.CER C1608 JB 1H 102K-T	T	20.3/34.7
C639	4030007050	S.CER C1608 CH 1H 220J-T	T	21.7/31.5
C640	4030007050	S.CER C1608 CH 1H 220J-T	T	23.8/30.9
C641	4030017530	S.CER C1005 CH 1H 0R5B-T	T	22.8/29.7
C642	4550007080	S.TAN TEESVA 1C 106M8R	T	22.9/39.2
C643	4030011600	S.CER C1608 JB 1E 104K-T	T	20.6/37.6
C644	4030006860	S.CER C1608 JB 1H 102K-T	T	20.6/38.9
C645	4030007010	S.CER C1608 CH 1H 100D-T	T	26.7/32.2
C646	4030011600	S.CER C1608 JB 1E 104K-T	T	30.9/30.2
C647	4030006860	S.CER C1608 JB 1H 102K-T	T	25.8/30.2
C648	4030007090	S.CER C1608 CH 1H 470J-T	T	28.6/33
C649	4030007090	S.CER C1608 CH 1H 470J-T	T	28.6/35.6
C650	4030007090	S.CER C1608 CH 1H 470J-T	B	27.9/33.1
C651	4030007050	S.CER C1608 CH 1H 220J-T	B	23/28.8
C652	4030006860	S.CER C1608 JB 1H 102K-T	B	26.3/27.6
C653	4030007020	S.CER C1608 CH 1H 120J-T	B	20.6/28
C654	4030007020	S.CER C1608 CH 1H 120J-T	B	19.2/29.6
C655	4030017490	S.CER C1608 JB 1A 105K-T	T	32/32.5
C656	4030006850	S.CER C1608 JB 1H 471K-T	T	33.9/35.5
C657	4550006770	S.TAN TEESVD2 1C 476M-12R	T	31.8/40.6
C658	4030007090	S.CER C1608 CH 1H 470J-T	T	31.9/34.2
C659	4030009530	S.CER C1608 CH 1H 030B-T	B	22.4/32
C661	4030007090	S.CER C1608 CH 1H 470J-T	T	3.5/23.2
C662	4550006250	S.TAN TEESVA 1A 106M8R	T	5.7/26.7
C710	4030006850	S.CER C1608 JB 1H 471K-T	T	36.4/59.8
C711	4030007090	S.CER C1608 CH 1H 470J-T	T	38.2/66.6
C712	4030006850	S.CER C1608 JB 1H 471K-T	T	38.4/79.6
C713	4030009520	S.CER C1608 CH 1H 020B-T	B	38.6/68.2
C714	4030009510	S.CER C1608 CH 1H 010B-T	B	35.3/68.7
C715	4030009520	S.CER C1608 CH 1H 020B-T	B	38.6/69.5
C716	4030006970	S.CER C1608 CH 1H 060D-T	B	36.2/71.4
C718	4030007090	S.CER C1608 CH 1H 470J-T	B	34/75.9
C719	4030007030	S.CER C1608 CH 1H 150J-T	B	38.6/76.5
C720	4030006860	S.CER C1608 JB 1H 102K-T	B	37.6/78.1
C721	4030007090	S.CER C1608 CH 1H 470J-T	B	31.7/55.2
C722	4030007090	S.CER C1608 CH 1H 470J-T	B	38.6/64.9
C723	4030007090	S.CER C1608 CH 1H 470J-T	B	38.3/82.1
C770	4030006970	S.CER C1608 CH 1H 060D-T	B	32.3/37.3
C772	4030006860	S.CER C1608 JB 1H 102K-T	B	32.6/33.2
C773	4030006860	S.CER C1608 JB 1H 102K-T	B	34.4/48.8
C774	4030007020	S.CER C1608 CH 1H 120J-T	B	31.8/53.9
C776	4030007020	S.CER C1608 CH 1H 120J-T	B	28.2/50.1
C777	4030006860	S.CER C1608 JB 1H 102K-T	B	29/47.5
C778	4030007090	S.CER C1608 CH 1H 470J-T	T	28.6/41.2
C779	4030006850	S.CER C1608 JB 1H 471K-T	T	24.6/41.5
C780	4030007090	S.CER C1608 CH 1H 470J-T	B	35.7/51.5
C830	4550006470	S.TAN TEESVB2 1D 106M8R	T	37.9/22.3
C831	4030011600	S.CER C1608 JB 1E 104K-T	T	35.6/20.9

[MAIN-D-2 UNIT]

REF NO.	PARTS NO.	DESCRIPTION	M.	H/V LOCATION
C832	4030011600	S.CER C1608 JB 1E 104K-T	T	40.5/16.2
C833	4550006250	S.TAN TEESVA 1A 106M8R	T	43.7/16.9
C834	4030007090	S.CER C1608 CH 1H 470J-T	B	60.6/38.2
C835	4030011600	S.CER C1608 JB 1E 104K-T	B	52.5/30.5
C836	4550006250	S.TAN TEESVA 1A 106M8R	B	54.5/31.3
C837	4030007160	S.CER C1608 CH 1H 181J-T	B	56.9/37.5
C838	4030007160	S.CER C1608 CH 1H 181J-T	B	57.9/27.7
C839	4030007090	S.CER C1608 CH 1H 470J-T	B	61/30.7
C840	4030011600	S.CER C1608 JB 1E 104K-T	B	44.4/36.8
C841	4030007030	S.CER C1608 CH 1H 150J-T	B	47.1/36.2
C880	4030009920	S.CER C1608 CH 1H 050B-T	T	51.5/46
C881	4030009510	S.CER C1608 CH 1H 010B-T	T	49.6/46.8
C882	4030009510	S.CER C1608 CH 1H 010B-T	T	46.5/52.6
C883	4030009910	S.CER C1608 CH 1H 040B-T	T	46.5/55.2
C887	4030007090	S.CER C1608 CH 1H 470J-T	B	34/4.9
C888	4030007090	S.CER C1608 CH 1H 470J-T	B	32.2/4.9
C890	4030007090	S.CER C1608 CH 1H 470J-T	B	30.4/4.9
C893	4030007030	S.CER C1608 CH 1H 150J-T	B	46.4/37.4
C894	4030007030	S.CER C1608 CH 1H 150J-T	B	51.2/37.9
C895	4030007030	S.CER C1608 CH 1H 150J-T	B	52.4/38.5
C896	4030007020	S.CER C1608 CH 1H 120J-T	B	42.8/45.2
C897	4030009530	S.CER C1608 CH 1H 030B-T	B	40.9/46.3
C898	4030007020	S.CER C1608 CH 1H 120J-T	B	40.1/48.2
C899	4030006850	S.CER C1608 JB 1H 471K-T	B	35/41.3
C900	4030007090	S.CER C1608 CH 1H 470J-T	B	37.5/41.4
C901	4030006860	S.CER C1608 JB 1H 102K-T	B	55.2/42.4
C902	4030007090	S.CER C1608 CH 1H 470J-T	B	56.5/42.4
C904	4030007020	S.CER C1608 CH 1H 120J-T	T	49.7/57
C905	4030009530	S.CER C1608 CH 1H 030B-T	T	47.8/57.8
C906	4030007050	S.CER C1608 CH 1H 220J-T	T	49.6/59.6
C907	4030009510	S.CER C1608 CH 1H 010B-T	T	47.8/60.4
C909	4030011600	S.CER C1608 JB 1E 104K-T	B	53.9/42.4
C910	4030011600	S.CER C1608 JB 1E 104K-T	B	63.1/35.4
C912	4030009910	S.CER C1608 CH 1H 040B-T	B	38.8/38.6
C913	4030007010	S.CER C1608 CH 1H 100D-T	B	33.1/39.4
C961	4030007090	S.CER C1608 CH 1H 470J-T	B	43.3/59.9
C962	4030009520	S.CER C1608 CH 1H 020B-T	B	52.4/58.8
C963	4030009540	S.CER C1608 CH 1H 1R5B-T	B	48.8/59.2
C965	4030006850	S.CER C1608 JB 1H 471K-T	B	48.7/62.5
C969	4030007130	S.CER C1608 CH 1H 101J-T	B	57.4/59.9
C970	4030006860	S.CER C1608 JB 1H 102K-T	B	54.7/59.1
C972	4030009510	S.CER C1608 CH 1H 010B-T	B	58.1/62.7
C974	4030006860	S.CER C1608 JB 1H 102K-T	B	53.9/64.6
C977	4030009560	S.CER C1608 CH 1H R75B-T	B	56.5/64.6
C978	4030006850	S.CER C1608 JB 1H 471K-T	B	53.7/66.5
C1022	4030006850	S.CER C1608 JB 1H 471K-T	T	65.5/58
C1023	4030006880	S.CER C1608 JB 1H 472K-T	T	70.7/58
C1024	4030006860	S.CER C1608 JB 1H 102K-T	T	68.1/58
C1025	4030007090	S.CER C1608 CH 1H 470J-T	T	69.4/58
C1026	4030006850	S.CER C1608 JB 1H 471K-T	T	72.8/51.2
C1029	4030006970	S.CER C1608 CH 1H 060D-T	B	92.2/43.1
C1030	4030009920	S.CER C1608 CH 1H 050B-T	B	97/43.1
C1031	4030009530	S.CER C1608 CH 1H 030B-T	B	93/41
C1081	4030007090	S.CER C1608 CH 1H 470J-T	B	97/44.7
C1082	4030007130	S.CER C1608 CH 1H 101J-T	B	97/46.3
C1083	4030007010	S.CER C1608 CH 1H 100D-T	B	96.2/49.9
C1088	4030006860	S.CER C1608 JB 1H 102K-T	T	98.7/51.8
C1090	4030006860	S.CER C1608 JB 1H 102K-T	B	82.8/65.7
C1091	4550003220	S.TAN TEESVA 1E 105M8R	B	84/69.9
C1092	4030006850	S.CER C1608 JB 1H 471K-T	B	67.6/67.6
C1094	4030009520	S.CER C1608 CH 1H 020B-T	B	101.9/38
C1095	4030009910	S.CER C1608 CH 1H 040B-T	B	102.7/39.9
C1096	4030006990	S.CER C1608 CH 1H 080D-T	B	105.1/39.2
C1098	4030009920	S.CER C1608 CH 1H 050B-T	B	107.7/41.9
C1099	4030011600	S.CER C1608 JB 1E 104K-T	T	104.6/45.3
C1100	4030007010	S.CER C1608 CH 1H 100D-T	B	106.5/46.1
C1101	4030007090	S.CER C1608 CH 1H 470J-T	B	105.1/46.1
C1102	4030006900	S.CER C1608 JB 1H 103K-T	T	96.6/49.6
C1105	4030007010	S.CER C1608 CH 1H 100D-T	T	112.1/48.9
C1106	4030007090	S.CER C1608 CH 1H 470J-T	T	110.8/48.9
C1107	4030007130	S.CER C1608 CH 1H 101J-T	T	1

[MAIN-D-2 UNIT]

REF NO.	PARTS NO.	DESCRIPTION	M.	H/V LOCATION
C1204	4030011070	S.CER GRM31M2C2H5R0CY21L (GRM42-6 CH)	T	116.1/100.4
C1207	4030000810	S.CER GRM2164C1HR50CD01D (GRM40 CK)	B	114.2/124.4
C1250	4030007010	S.CER C1608 CH 1H 100D-T	T	69.1/121.2
C1251	4030007010	S.CER C1608 CH 1H 100D-T	B	65.5/125.1
C1252	4030006900	S.CER C1608 JB 1H 103K-T	B	73.4/122.8
C1253	4030006850	S.CER C1608 JB 1H 471K-T	B	75/116.4
C1255	4030006850	S.CER C1608 JB 1H 471K-T	B	62.7/127.1
C1256	4030017480	S.CER C1608 JB 1A 474K-T	B	72.8/128.7
C1259	4030007090	S.CER C1608 CH 1H 470J-T	B	50.4/126.8
C1260	4030006850	S.CER C1608 JB 1H 471K-T	T	45.8/112.2
C1261	4030007010	S.CER C1608 CH 1H 100D-T	B	77.9/127.5
C1262	4030007010	S.CER C1608 CH 1H 100D-T	B	86.8/127.5
C1263	4030011600	S.CER C1608 JB 1E 104K-T	B	76.2/124.4
C1264	4510009460	S.ELE EEEHC1C100R	T	73.1/122.3
C1265	4030006880	S.CER C1608 JB 1H 472K-T	B	83.2/124.3
C1267	4030011600	S.CER C1608 JB 1E 104K-T	B	79.3/113.5
C1268	4030006860	S.CER C1608 JB 1H 102K-T	B	83.2/120
C1269	4030007090	S.CER C1608 CH 1H 470J-T	B	81.3/120.7
C1329	4030007090	S.CER C1608 CH 1H 470J-T	B	67.7/109.5
C1330	4510006640	ELE 16 ME 1000 CZ	B	
C1331	4030006860	S.CER C1608 JB 1H 102K-T	B	56.8/105.6
C1332	4030007090	S.CER C1608 CH 1H 470J-T	B	56.8/104.1
C1333	4510009950	S.ELE EEEHC1C470P	T	64.5/121.1
C1334	4030006860	S.CER C1608 JB 1H 102K-T	B	67.6/104.9
C1335	4510009950	S.ELE EEEHC1C470P	T	69.1/97.8
C1336	4030011600	S.CER C1608 JB 1E 104K-T	B	73.9/94.7
C1337	4030006860	S.CER C1608 JB 1H 102K-T	B	76.7/94.7
C1338	4510009700	S.ELE EEEFK1C101P	T	78.1/92.3
C1339	4030007090	S.CER C1608 CH 1H 470J-T	B	70.4/106.6
C1340	4510009950	S.ELE EEEHC1C470P	T	68.5/113.5
C1341	4030011600	S.CER C1608 JB 1E 104K-T	B	75.6/108.1
C1342	4030011600	S.CER C1608 JB 1E 104K-T	B	78.4/108.1
C1343	4510009700	S.ELE EEEFK1C101P	T	77/101.1
C1344	4030007090	S.CER C1608 CH 1H 470J-T	B	62.3/117.3
C1345	4030011600	S.CER C1608 JB 1E 104K-T	B	39.8/100.6
C1346	4030011600	S.CER C1608 JB 1E 104K-T	B	43.5/89.5
C1347	4030007010	S.CER C1608 CH 1H 100D-T	B	56.8/109.7
C1348	4550006760	S.TAN TEESVB21A336M8R	T	42.6/97.2
C1349	4510009460	S.ELE EEEHC1C100R	T	76.3/84.5
C1350	4030006850	S.CER C1608 JB 1H 471K-T	T	34/87.7
C1351	4030017490	S.CER C1608 JB 1A 105K-T	B	29.6/90.9
C1352	4030012610	S.CER C2012 JB 1C 474K-T	B	37.1/86
C1353	4030006860	S.CER C1608 JB 1H 102K-T	T	31.2/92.9
C1355	4030007090	S.CER C1608 CH 1H 470J-T	T	38.3/94.7
C1356	4030011600	S.CER C1608 JB 1E 104K-T	B	39.3/84.9
C1357	4030011600	S.CER C1608 JB 1E 104K-T	B	42.9/97.3
C1358	4030007090	S.CER C1608 CH 1H 470J-T	B	8.2/92.2
C1359	4030007090	S.CER C1608 CH 1H 470J-T	B	19.1/99.4
C1360	4030007090	S.CER C1608 CH 1H 470J-T	B	20.4/99.8
C1361	4030007090	S.CER C1608 CH 1H 470J-T	T	43.5/86.2
C1366	4030006860	S.CER C1608 JB 1H 102K-T	B	27.4/91.7
C1367	4030007090	S.CER C1608 CH 1H 470J-T	B	57.8/65.4
C1368	4030007090	S.CER C1608 CH 1H 470J-T	T	35.4/98.8
C1369	4030007090	S.CER C1608 CH 1H 470J-T	T	24.9/97.2
C1370	4030007090	S.CER C1608 CH 1H 470J-T	B	50.4/73.7
C1371	4030006860	S.CER C1608 JB 1H 102K-T	B	53.1/85.3
C1372	4030007090	S.CER C1608 CH 1H 470J-T	B	54.5/107.3
C1373	4030007090	S.CER C1608 CH 1H 470J-T	T	61.9/109.1
C1374	4030007090	S.CER C1608 CH 1H 470J-T	B	62.2/115.4
C1375	4030007090	S.CER C1608 CH 1H 470J-T	B	63.8/112.1
C1376	4030007090	S.CER C1608 CH 1H 470J-T	T	58.1/122.8
C1507	4030007090	S.CER C1608 CH 1H 470J-T	B	30.2/23.5
C1509	4030007090	S.CER C1608 CH 1H 470J-T	T	17.3/23.4
C1510	4030007090	S.CER C1608 CH 1H 470J-T	B	51.3/108.1
C1511	4030007090	S.CER C1608 CH 1H 470J-T	B	80.6/5.7
C1512	4030007090	S.CER C1608 CH 1H 470J-T	B	79.5/4.1
C1514	4030007090	S.CER C1608 CH 1H 470J-T	B	81/7.9
C1515	4030007090	S.CER C1608 CH 1H 470J-T	B	83.7/6.8
C1516	4030007090	S.CER C1608 CH 1H 470J-T	T	88.3/10.2
C1517	4030007090	S.CER C1608 CH 1H 470J-T	B	89.5/6.9
C1518	4030007090	S.CER C1608 CH 1H 470J-T	B	91/6.9
C1519	4030007090	S.CER C1608 CH 1H 470J-T	T	93.2/9.3
C1520	4030007090	S.CER C1608 CH 1H 470J-T	T	97.7/12
C1521	4030007090	S.CER C1608 CH 1H 470J-T	T	93.4/2.3
C1522	4030007090	S.CER C1608 CH 1H 470J-T	T	92.1/1.9
C1523	4030007090	S.CER C1608 CH 1H 470J-T	B	91.7/4.1
C1524	4030007090	S.CER C1608 CH 1H 470J-T	T	89.4/2.3
C1525	4030007090	S.CER C1608 CH 1H 470J-T	B	84.4/3.4
C1600	4030007090	S.CER C1608 CH 1H 470J-T	T	4.4/21.6
C1601	4030007090	S.CER C1608 CH 1H 470J-T	B	3.3/20
C1602	4030007090	S.CER C1608 CH 1H 470J-T	T	20.9/15.5
C1603	4030007090	S.CER C1608 CH 1H 470J-T	T	22.4/15.5
C1604	4030007090	S.CER C1608 CH 1H 470J-T	B	39.7/2.2
C1624	4030007090	S.CER C1608 CH 1H 470J-T	T	28.9/16.6
C1625	4030007090	S.CER C1608 CH 1H 470J-T	T	30.2/16.6
C1626	4030007090	S.CER C1608 CH 1H 470J-T	T	31.5/16.6
C1751	4030006850	S.CER C1608 JB 1H 471K-T	T	54.5/123.7
C1752	4030006900	S.CER C1608 JB 1H 103K-T	T	28.6/119.3
C1753	4030006860	S.CER C1608 JB 1H 102K-T	T	24.2/120.5
C1754	4510009950	S.ELE EEEHC1C470P	T	31.8/127.5
C1755	4030007090	S.CER C1608 CH 1H 470J-T	T	25.8/113.2
C1800	4030007090	S.CER C1608 CH 1H 470J-T	B	24/20.5
C1801	4030006900	S.CER C1608 JB 1H 103K-T	T	42/103.6
C1802	4030006900	S.CER C1608 JB 1H 103K-T	T	42.5/112.3
C1803	4030006850	S.CER C1608 JB 1H 471K-T	T	28.6/104.1
C1804	4030006850	S.CER C1608 JB 1H 471K-T	T	32.4/103.3
C1805	4030006850	S.CER C1608 JB 1H 471K-T	T	27.8/101.5
C1806	4030006850	S.CER C1608 JB 1H 471K-T	T	32.4/99.7
C1807	4030006850	S.CER C1608 JB 1H 471K-T	T	42/101.4
C1808	4030007090	S.CER C1608 CH 1H 470J-T	T	38.8/112
C9301	4030007140	S.CER C1608 CH 1H 121J-T	T	38.8/54.3
C9401	4030006860	S.CER C1608 JB 1H 102K-T	T	17.5/58.3
C9404	4030017530	S.CER C1005 CH 1H 0R5B-T	T	24.4/29.7

[MAIN-D-2 UNIT]

REF NO.	PARTS NO.	DESCRIPTION	M.	H/V LOCATION
C9405	4550007080	S.TAN TEESVA 1C 106M8R	B	19.4/37
C9406	4030017550	S.CER C1005 CH 1H 1R5B-T	T	28.8/80
C9407	4030009920	S.CER C1608 CH 1H 050B-T	T	36.8/55.6
C9409	4030007090	S.CER C1608 CH 1H 470J-T	T	49.1/79.2
C9410	4030006860	S.CER C1608 JB 1H 102K-T	T	49.5/77.1
C9411	4030006860	S.CER C1608 JB 1H 102K-T	T	44.4/73.8
C9412	4030009530	S.CER C1608 CH 1H 030B-T	T	47.6/75.2
C9416	4030017810	S.CER C1608 CH 1H 102J-T	T	55/95.4
C9417	4030007090	S.CER C1608 CH 1H 470J-T	T	58.1/95.5
J1602	6510021970	S.CON AXN330C130P	T	26.2/21.8
J1750	6510009351	C.ON B2B-ZR(LF)(SN)		
J1800	6510021722	S.CON 30FLT-SM2-TB(LF)(SN)(M)	T	44/107.5
J1801	6510021722	S.CON 30FLT-SM2-TB(LF)(SN)(M)	T	87/5.8
W1164	7030012280	JUM RD25TOR0		
W1330	8900011960	CAB OPC-1216		
EP5	6910000630	BEA FSRH070140RN000B (FSOH070RN)		
EP6	6910000630	BEA FSRH070140RN000B (FSOH070RN)		
EP401	6910012350	S.BEA MMZ1608Y 102BT	B	16.5/70.2
EP403	6910012350	S.BEA MMZ1608Y 102BT	B	20.8/63
EP404	6910012350	S.BEA MMZ1608Y 102BT	T	14.8/59.6
EP405	6910012350	S.BEA MMZ1608Y 102BT	T	21.1/66.3
EP470	6910012350	S.BEA MMZ1608Y 102BT	T	16.4/68.2
EP482	6910012350	S.BEA MMZ1608Y 102BT	B	12.9/82.8
EP551	6910012350	S.BEA MMZ1608Y 102BT	B	35.1/26.6
EP552	6910012350	S.BEA MMZ1608Y 102BT	B	27.1/48.7
EP553	6910012350	S.BEA MMZ1608Y 102BT	B	17.9/48
EP721	6910012350	S.BEA MMZ1608Y 102BT	B	32.1/85.5
EP1750	6910012350	S.BEA MMZ1608Y 102BT	B	27.8/124
EP1751	6910012350	S.BEA MMZ1608Y 102BT	B	27.8/125.5

M.=Mounted side (T: Mounted on the Top side, B: Mounted on the Bottom side)
S.=Surface mount

BOARD LAYOUTS

• MAIN-D-2 UNIT (TOP VIEW)

The combination of this page and next page shows the top side and bottom side of actual P.C. board.

J1602

15	POWRS	SHIFT	16
	1FCN	UNLK	
	P1ST	GND	
	GND	GND	
	GND	P2RS	
	GND	PDAT	
	GND	P2ST	
	GND	GND	
	GND	GND	
	GND	GND	
	GND	GND	
	GND	GND	
	GND	TXSW	
1	GND	DAF	30

J1750

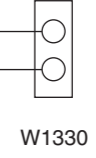
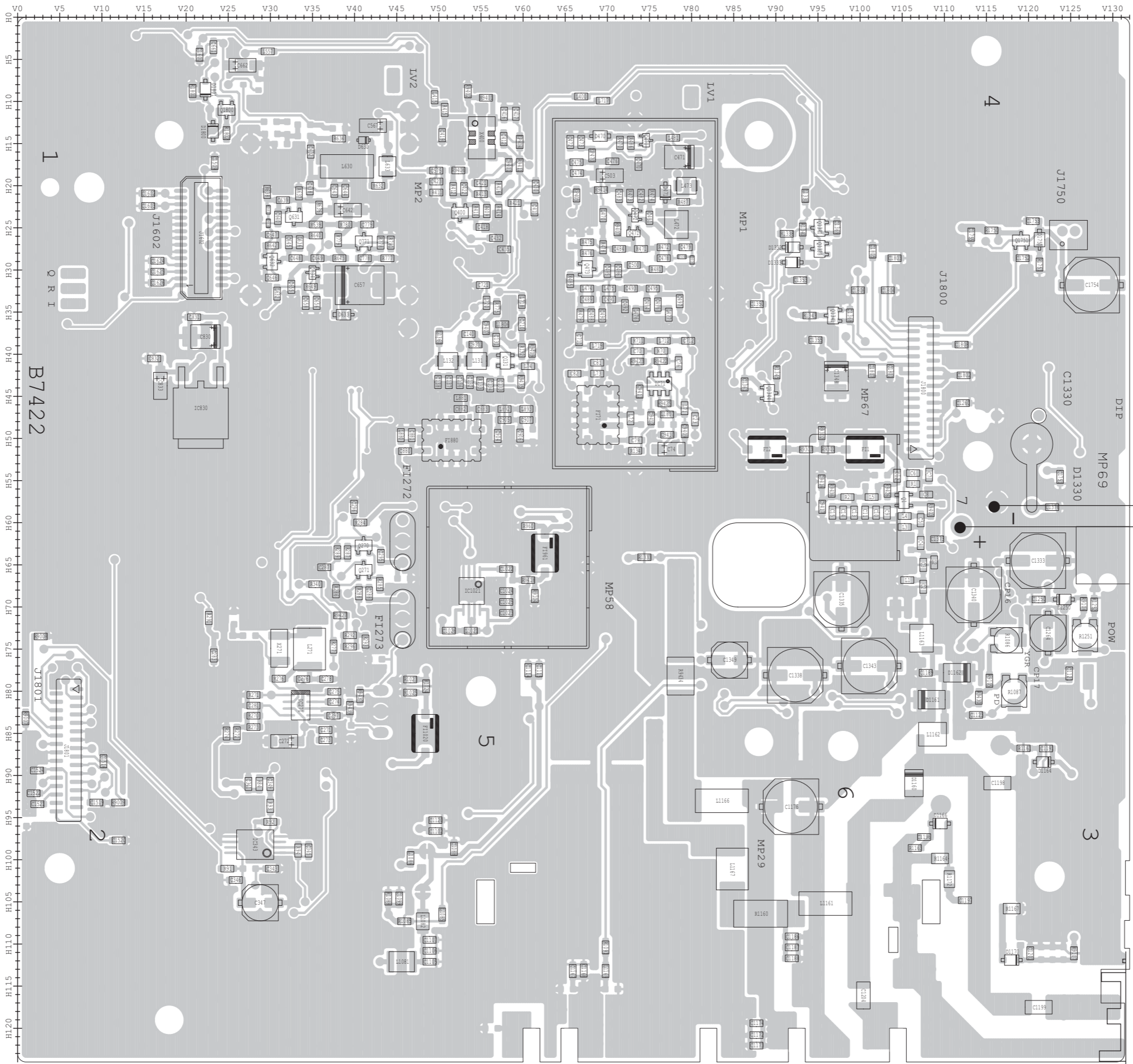
2	FAN-
1	FAN+

J1800

29	AMUT	BEEP	30
	VCTL	FANC	
	TXS	GND	
	RXS	GND	
	+3	NC	
	+3	HVL	
	NC	HVL	
	GND	HVL	
	GND	NC	
	GND	GND	
	GND	GND	
	GND	GND	
	GND	GND	
	GND	GND	
	GND	GND	
1	PWRS	PCON	2

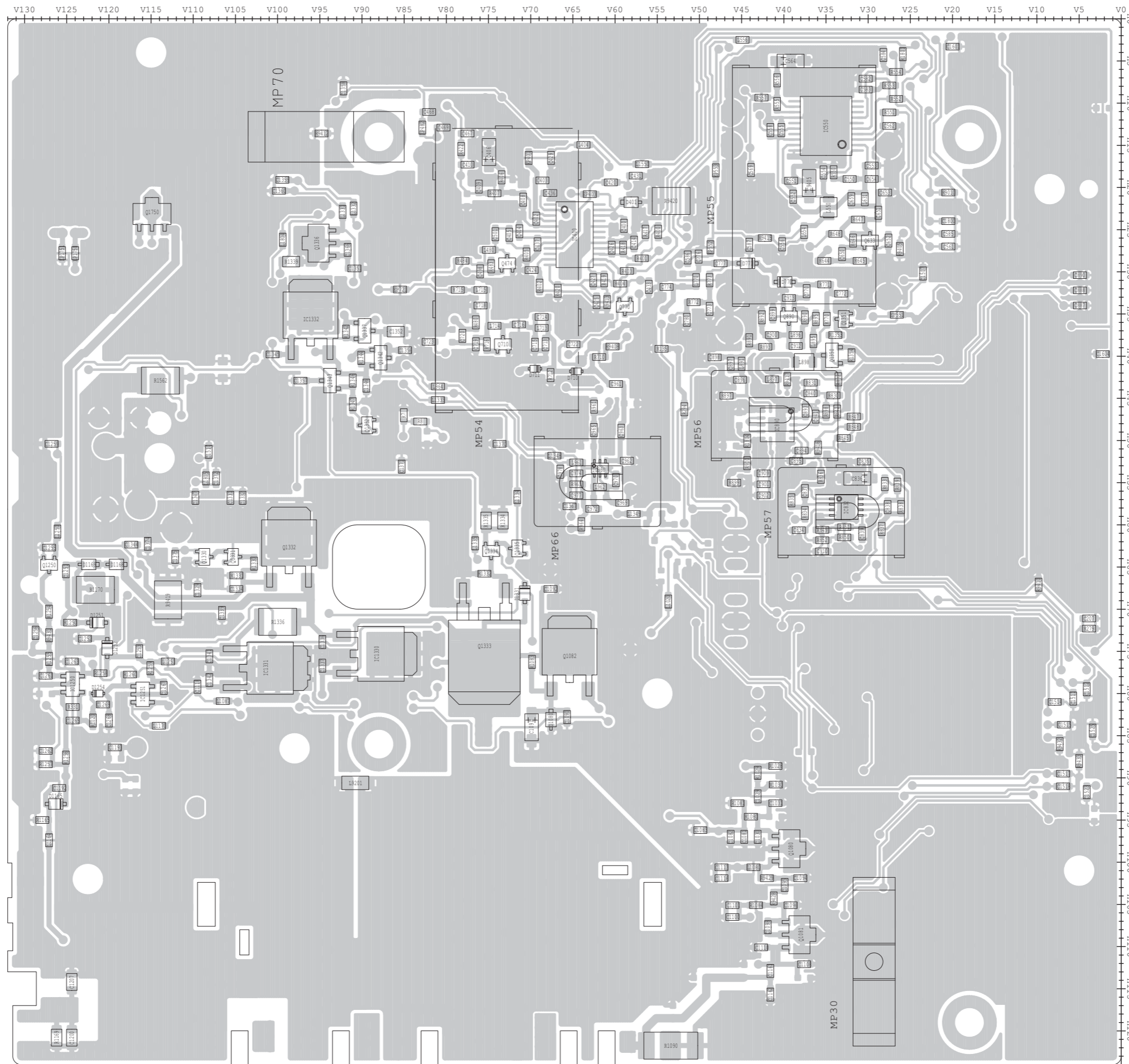
J1801

2	NOIS	IBAS	1
	NGND	QBAS	
	SCAN	THER	
	RMUT	THE	
	DAMOD	ADSW	
	TONI	GND	
	W/NS	GND	
	GND	MGND	
	GND	MMUT	
	MIN	MRE	
	CTCS	+5A	
	TXD	RSSI	
	RXD	CENV	
	NC	NC	
	MU/D	PTT	29
30			



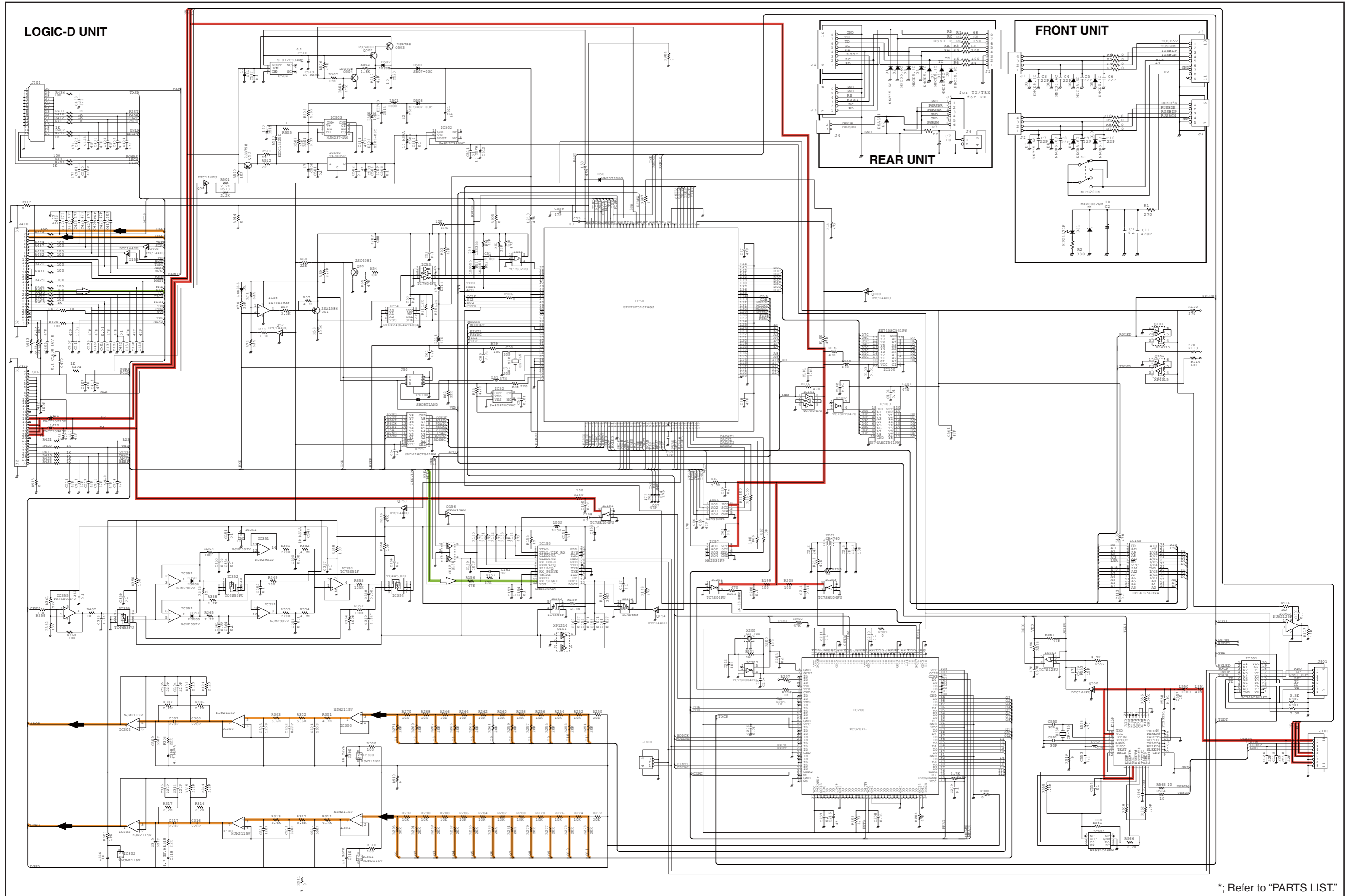
CHASSIS
J1

• MAIN-D-2 UNIT
(BOTTOM VIEW)



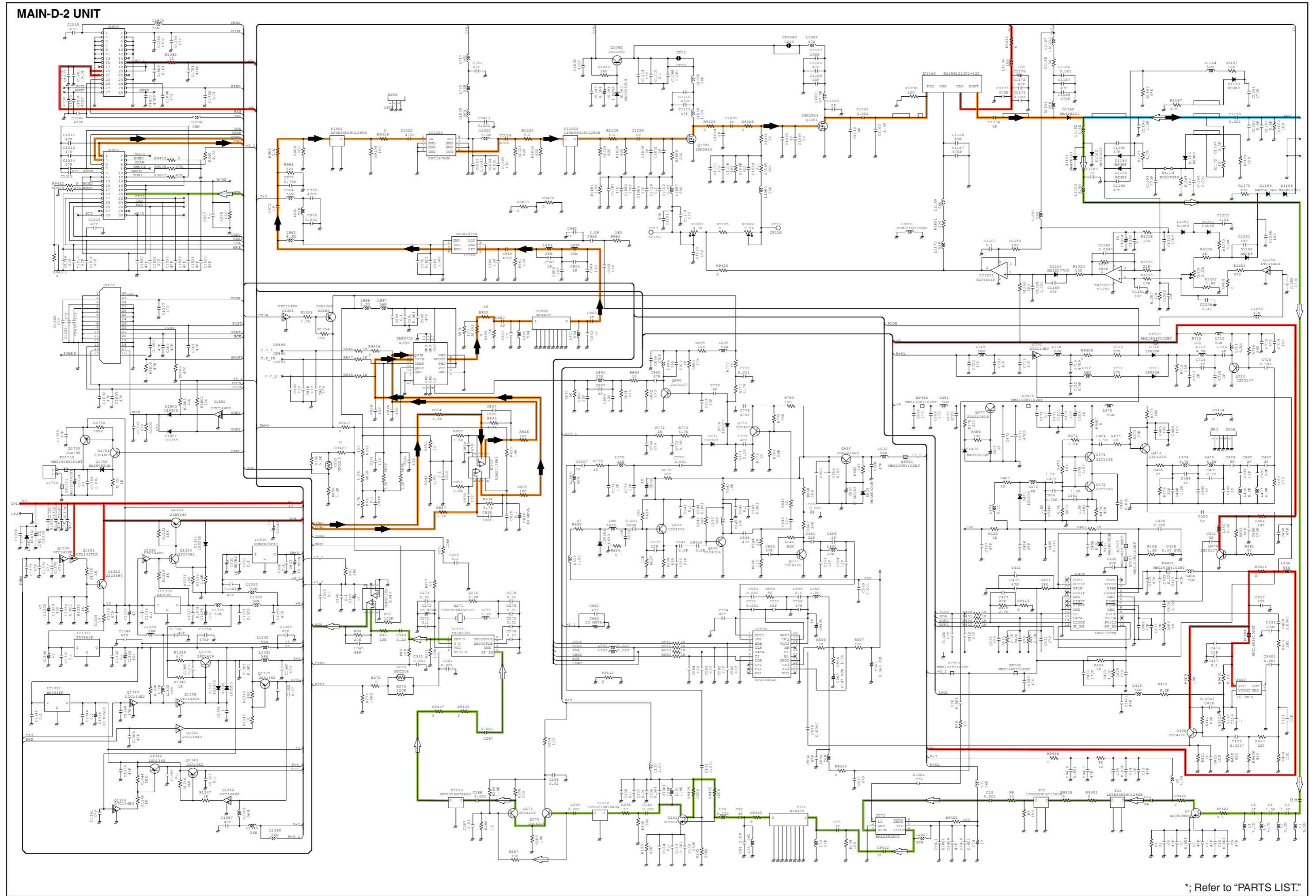
The combination of this page and next page shows the top side and bottom side of actual P.C. board.

VOLTAGE DIAGRAMS



*; Refer to "PARTS LIST."

MAIN-D-2 UNIT



*; Refer to "PARTS LIST."



SERVICE MANUAL

1.2 GHz DATA REPEATER

ID-RP2D

S-14518XZ-C1
Sep. 2008

Icom Inc.

INTRODUCTION

This service manual describes the latest technical information for the **ID-RP2D** 1.2 GHz DATA REPEATER at the time of publication.

MODEL	VERSION
ID-RP2D	USA
	EUR

CAUTION

NEVER connect the repeater to an AC outlet or to a DC power supply that uses more than specified. This will ruin the repeater.

DO NOT expose the repeater to rain, snow or any liquids.

DO NOT reverse the polarities of the power supply when connecting the repeater.

DO NOT apply an RF signal of more than 20 dBm (100 mW) to the antenna connector. This could damage the repeater's front-end.

To upgrade quality, any electrical or mechanical parts and internal circuits are subject to change without notice or obligation.



ORDERING PARTS

Be sure to include the following four points when ordering replacement parts:

1. 10-digit Icom parts numbers
2. Component name
3. Equipment model name and unit name
4. Quantity required

<ORDER EXAMPLE>

1110003491	S.IC	TA31136FNG	ID-RP2D	MAIN UNIT	5 pieces
8820001210	Screw	2438 screw	ID-RP2D	Top cover	10 pieces

Addresses are provided on the inside back cover for your convenience.

REPAIR NOTES

1. Make sure that the problem is internal before disassembling the repeater.
2. **DO NOT** open the repeater until the repeater is disconnected from its power source.
3. **DO NOT** force any of the variable components. Turn them slowly and smoothly.
4. **DO NOT** short any circuits or electronic parts. An insulated tuning tool **MUST** be used for all adjustments.
5. **DO NOT** keep power ON for a long time when the repeater is defective.
6. **DO NOT** transmit power into a Standard Signal Generator or a Sweep Generator.
7. **ALWAYS** connect a 50 dB to 60 dB attenuator between the repeater and a Deviation Meter or Spectrum Analyzer when using such test equipment.
8. **READ** the instructions of test equipment thoroughly before connecting a test equipment to the repeater.

• SYSTEM CONNECTION

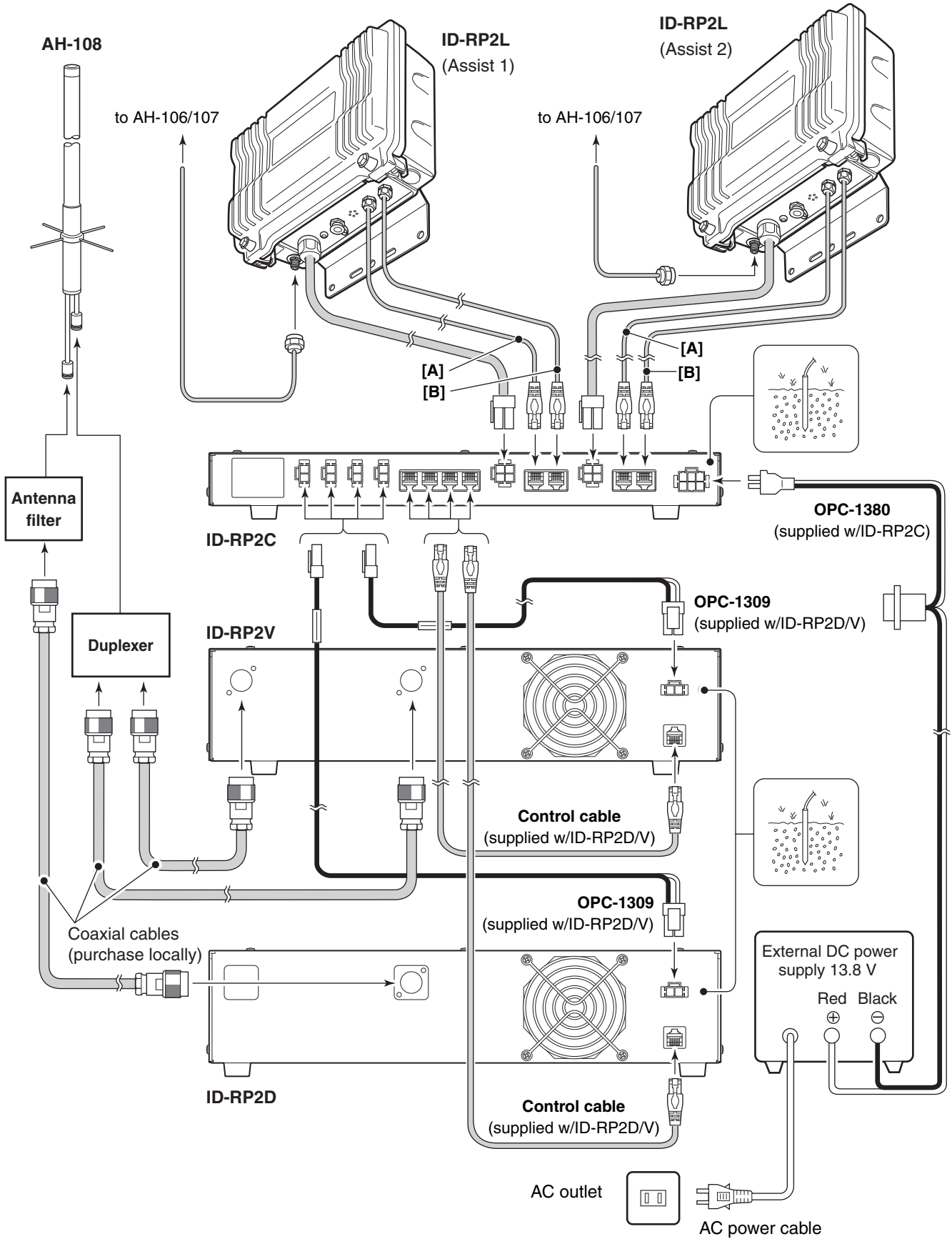


TABLE OF CONTENTS

SECTION 1	SPECIFICATIONS	
SECTION 2	INSIDE VIEWS	
SECTION 3	DISASSEMBLY INFORMATION	
SECTION 4	CIRCUIT DESCRIPITON	
4-1	RECEIVER CIRCUITS	4-1
4-2	TRNSMITTER CIRCUITS	4-2
4-3	PLL CIRCUITS	4-3
4-4	POWER SUPPLY CIRCUITS	4-4
4-5	PORT ALLOCATION	4-5
SECTION 5	PARTS LIST	
SECTION 6	MECHANICAL PARTS AND DISASSEMBLY	
SECTION 7	SEMICONDUCTOR INFORMATION	
SECTION 8	BOARD LAYOUTS	
SECTION 9	WIRING DIAGRAM	
SECTION 10	BLOCK DIAGRAM	
SECTION 11	VOLTAGE DIAGRAMS	

GENERAL

• Frequency range	: Transmit	1240.000–1300.000 MHz
	Receive	1240.000–1300.000 MHz
• Type of emission	: F1D (GMSK)	
• Communication speed	: 128 kbps	
• Frequency stability	: ±2.5 ppm (based on 25°C; +77°F)	
• Frequency resolutions	: 5, 6.25 kHz	
• Usable temperature range	: –10°C to +50°C; +14°F to +122°F	
• Antenna connector	: Type-N (50 Ω)	
• Power supply requirement	: 13.8 V DC ±15% (Negative ground)	
• Current drain	: Transmit (High)	Less than 6.0 A
	(Low)	Less than 2.7 A
	Receive (Stand-by)	Less than 0.7 A
• Dimensions (proj. not included)	: 483(W)×88(H)×428(D) mm; 19(W)×3 ¹⁵ / ₃₂ (H)×16 ²⁷ / ₃₂ (D) in.	
• Weight (Approx.)	: 6.2 kg; 13 lb 10 oz	

TRANSMITTER

• Output power (at 13.8 V DC)	: High	9–12 W
	Low	0.5–1.2 W
• Modulation system	: Quadrature (243.95 MHz)	
• Occupied bandwidth	: Less than 130 kHz	
• Spurious emissions	: Less than –50 dB	

RECEIVER

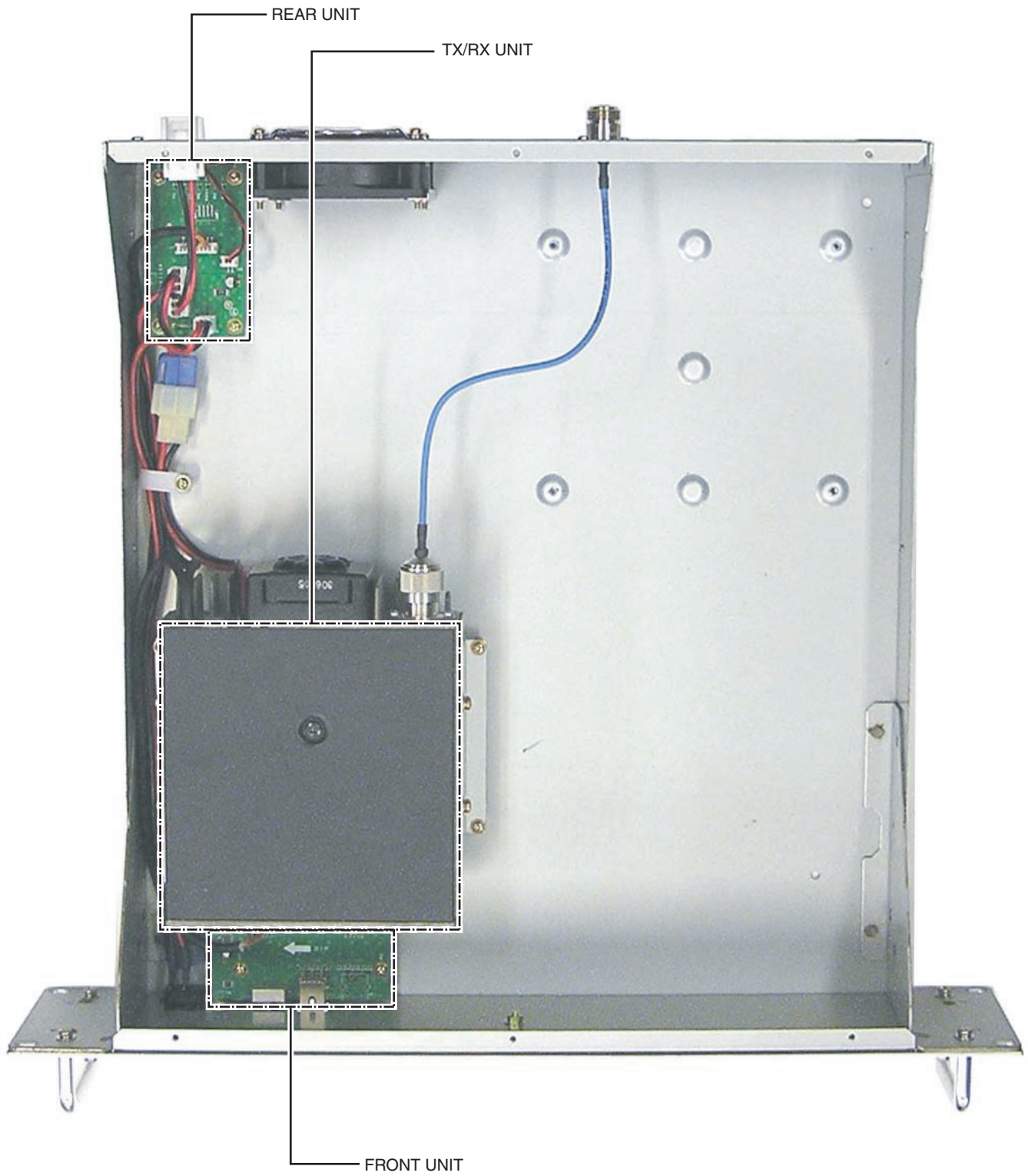
• Receive system	: Double-conversion superheterodyne
• Intermediate frequencies	: 1st 243.95 MHz
	2nd 10.7 MHz
• Sensitivity (BER 1×10 ⁻²)	: Less than +7 dBμ (2.24 μV)
• Selectivity	: More than 140 kHz/6 dB
	Less than 520 kHz/40 dB
• Spurious and image rejection	: More than 60 dB (General)
	More than 50 dB (IF, IF ₂)
• Receive spurious	: Less than –57 dBm

All stated specifications are subject to change without notice or obligation.

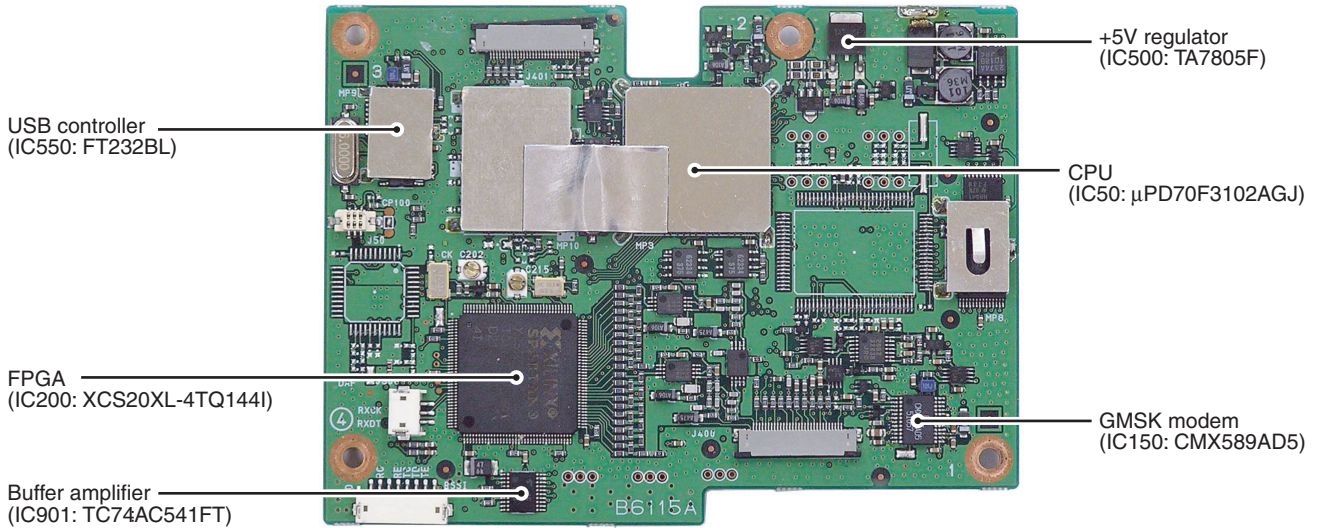
SECTION 2

INSIDE VIEWS

• OVERALL

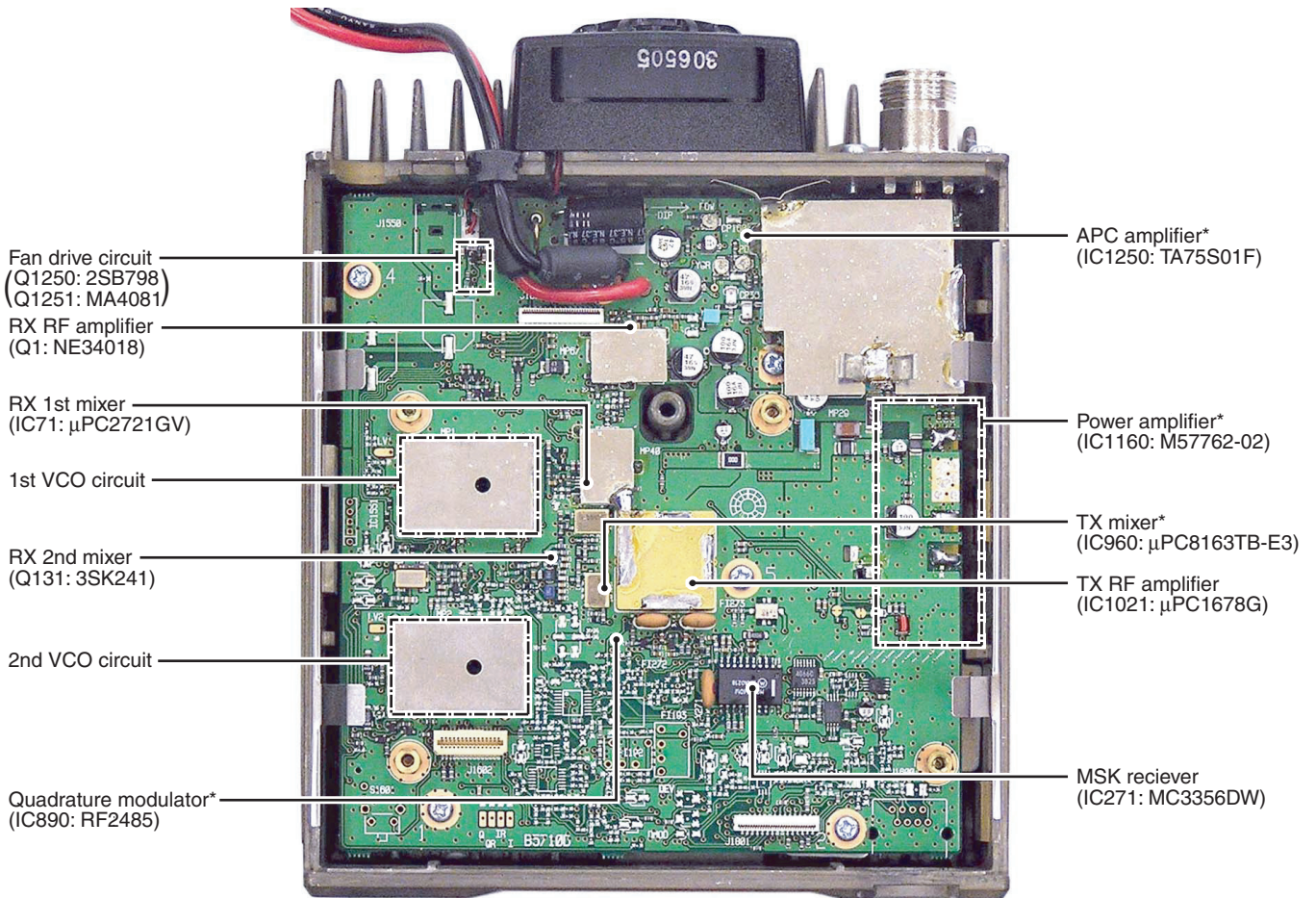


• MAIN-D/MAIN-D-1 UNIT



*: Located under side of this points.

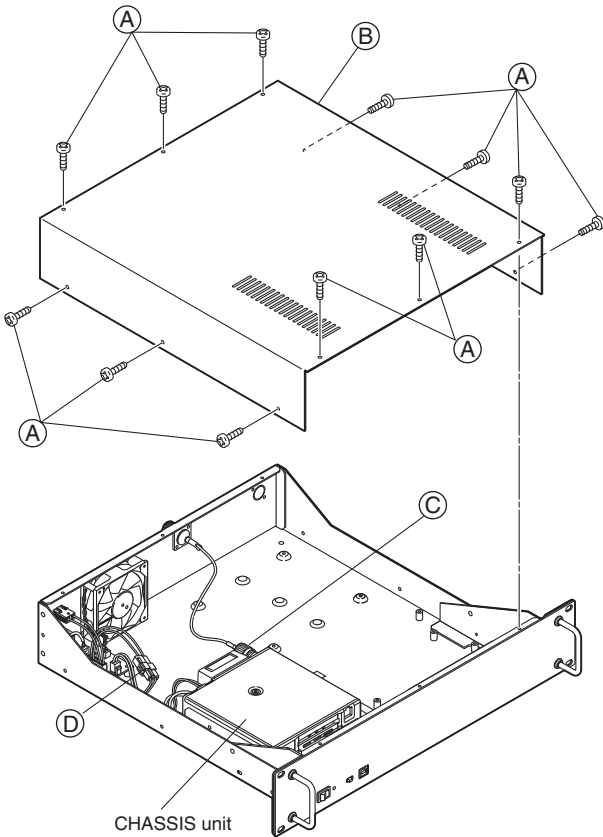
• LOGIC-D UNIT



SECTION 3 DISASSEMBLY INSTRUCTION

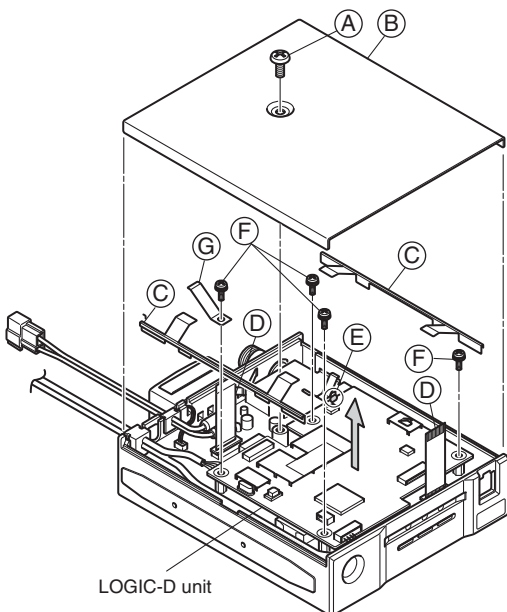
• REMOVING THE COVER

- ① Unscrew 12 screws (A), and remove the cover (B).
- ② Disconnect the cable (C), and disconnect the cable (D).



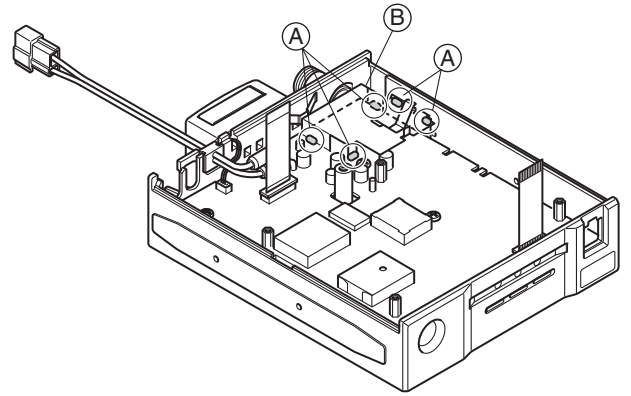
• REMOVING THE LOGIC-D UNIT

- ① Unscrew 1 screw (A), and remove the cover (B).
- ② Remove 2 main shield plates (C).
- ③ Disconnect 2 cables (D), and unsolder 1 point (E).
- ④ Unscrew 4 screws (F), and remove the earth spring (G).
- ⑤ Take off the LOGIC-D unit.

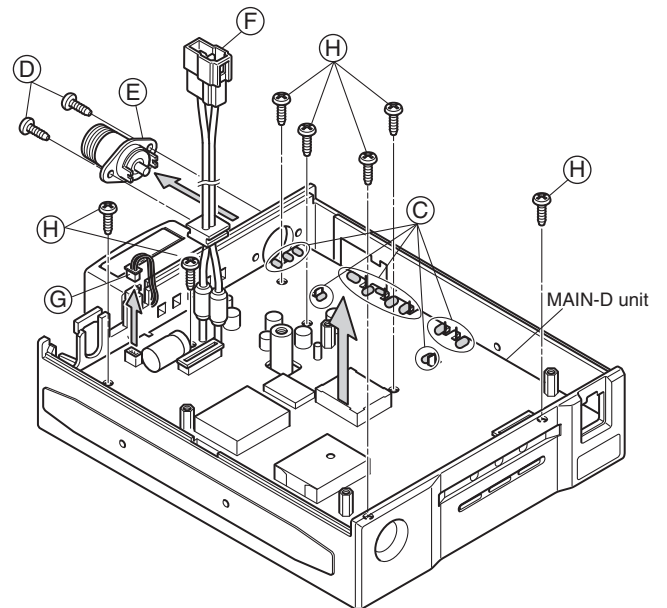


• REMOVING THE MAIN-D/MAIN-D-1 UNIT

- ① Unsolder 5 points (A), and remove the ANT plate (B).



- ② Unsolder 12 points (C).
- ③ Unscrew 2 screws (D), and remove the ANT connector (E).
- ④ Take off the cable (F) from the chassis.
- ⑤ Disconnect the cable (G).
- ⑥ Unscrew 7 screws (H), and take off the MAIN-D unit.



4-1 RECEIVER CIRCUITS

4-1-1 ANTENNA SWITCHING CIRCUIT (MAIN-D/MAIN-D-1 UNIT)

The antenna switching circuit functions as a low-pass filter while receiving and a resonator circuit while transmitting. This circuit does not allow transmit signals to enter the receiver circuits.

Received signals from the antenna connector (CASE; W4) are applied to the MAIN-D unit via J1 (CHASSIS-D). The applied signals are passed through the low-pass filter which contains strip-line and C1198, and are then applied to the ¼ type antenna switching circuit (D1161–D1162, L1162).

While receiving, no voltage is applied to D1161–D1162. Thus, the receive line and ground are disconnected and received signals are applied to the RF circuit.

ID-RP2D's transmitting and receiving are different timing.

4-1-2 RF CIRCUIT (MAIN-D/MAIN-D-1 UNIT)

The RF circuit amplifies signals within the range of frequency coverage and filters out-of-band signals.

The signals from the antenna switching circuit pass through the high-pass filter (L1–L4, C2–C5) and then applied to the RF amplifier (Q1). The amplified signals are passed through the bandpass filters (FI1, FI2) to suppress unwanted signals.

The filtered signals are applied to the 1st mixer circuit.

4-1-3 1ST MIXER AND 1ST IF CIRCUITS (MAIN-D/MAIN-D-1 UNIT)

The 1st mixer circuit converts the received signals into fixed frequency of the 1st IF signal with the 1st LO signal. By changing the 1st LO signal, only the desired frequency passes through the bandpass filter at the next stage of the 1st mixer circuit.

The RF signals from the bandpass filter (FI2) are mixed with the 1st LO signal, where come from the 1st VCO circuit (Q471, Q472, D471), at the 1st mixer circuit (IC71) to produce a 243.95 MHz 1st IF signal. The 1st IF signal is passed through the bandpass filter (FI71) to suppress unwanted signals and pass only the desired signals.

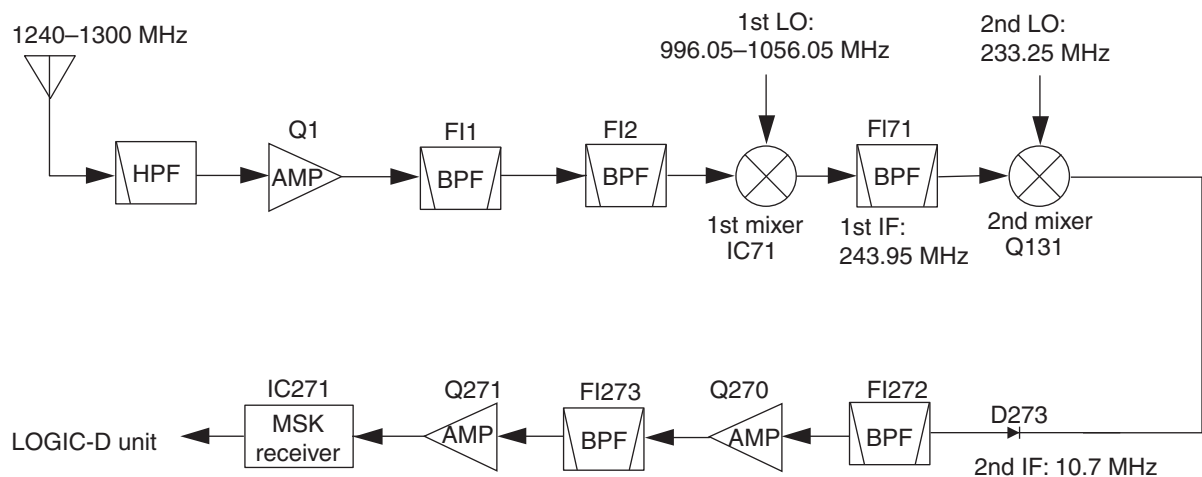
The filtered signal is applied to the 2nd IF circuit.

4-1-4 2ND MIXER AND 2ND IF CIRCUITS (MAIN-D/MAIN-D-1 UNIT)

The 2nd mixer circuit converts the 1st IF signal into the 2nd IF signal with the 2nd LO signal.

The filtered 1st IF signal from the bandpass filter (FI71) is mixed with the 2nd LO signal (233.25 MHz), where come from the 2nd VCO circuit (Q631, D630), at the 2nd mixer circuit (Q131) to produce a 2nd IF signal (10.7 MHz). The 2nd IF signal is passed through the bandpass filter (FI272) to remove unwanted heterodyned frequencies via the mode switch (D273). The filtered signal is amplified at the IF amplifier (Q270) and then passed through another bandpass filter (FI273). The filtered signal is applied to another IF amplifier (Q271) and then applied to the MSK receiver (IC271).

• RF AND IF CIRCUITS



**4-1-5 DEMODULATOR CIRCUITS
(MAIN-D/MAIN-D-1 UNIT)**

The MSK receiver IC (IC271) contains the limiter amplifier, quadrature detector, etc.

The amplified 2nd IF signal from the IF amplifier (Q271) is applied to the limiter amplifier section of the MSK receiver (IC271, pin 7) and then applied to the quadrature detector section (IC271, pin 11) to demodulate to the data signals.

The demodulated data signals are output from pin 13 of the MSK receiver (IC271) and are amplified at IC343 (pins 1, 2). The amplified signals are switched at the mode switch (IC342, pins 1, 6) and then applied to the LOGIC-D unit via J1801 (pin 20).

4-1-6 DIGITAL CIRCUITS (LOGIC-D UNIT)

The digital circuits convert the demodulated data signals format for communication to the repeater controller (ID-RP2C).

The demodulated data signals from the mode switch (MAIN-D unit: IC342, pin 1) are applied to the GMSK MODEM (IC150, pin 11). The applied signals are synchronized with the clock signal, then the synchronized signals are applied to the CPU (IC50) via the FPGA IC (IC200).

The output signals from the CPU (IC50) are applied to the buffer amplifier (IC901) and then applied to the REAR unit via J901.

The amplified signals are applied to the connected repeater controller (ID-RP2C) via [CONT I/O] (REAR unit; J2).

4-2 TRANSMITTER CIRCUITS

4-2-1 DIGITAL CIRCUITS (LOGIC-D UNIT)

The digital circuits convert the data signals form for transmit.

The data signals from the connected repeater controller (ID-RP2C) are applied to the buffer amplifier (IC901) and then applied to the CPU (IC50) via [CONT I/O] (REAR unit; J2).

The applied data signals to the CPU (IC50) are processed and then applied to the FPGA IC (IC200) to split to the I and Q baseband signals for quadrature modulation. The I/Q baseband signals output from pins 75–80, 82–89, 92–99 (IC200) and then applied to the D/A converters (R-50–R293).

The converted signals are passed through the baseband filter (IC300–IC302) and then applied to the MAIN-D unit via J400 (pins 1, 3).

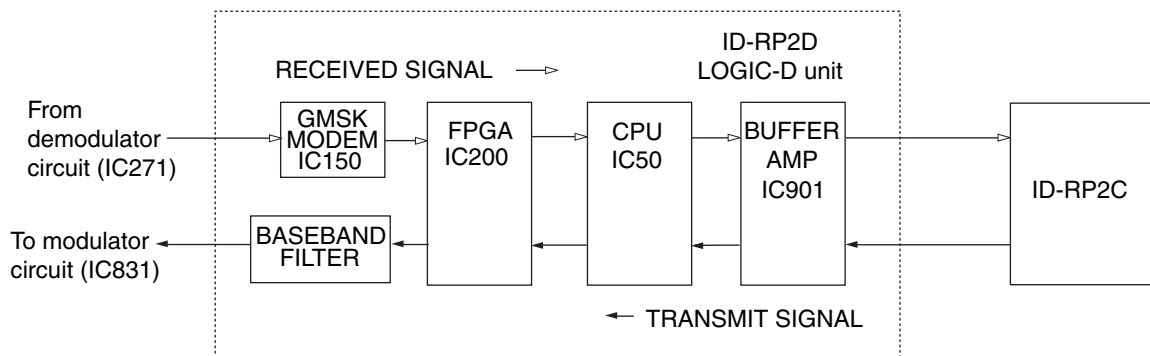
**4-2-3 MODULATION CIRCUIT
(MAIN-D/MAIN-D-1 UNIT)**

The modulation circuit modulates the 2nd LO signal at the quadrature modulation circuit (IC890) using the I/Q baseband signals.

The I/Q baseband signals from the LOGIC-D unit are amplified at the I/Q baseband amplifiers (IC832, pins 1, 2, 6, 7) and then applied to the amplifier section of the quadrature modulator (IC890, pins 4, 7). The 2nd LO signal is also applied to the $\pm 45^\circ$ phase splitter section of the quadrature modulator (IC890, pin 8) and then the $\pm 45^\circ$ phase shifted and split LO signals are applied to the LO amplifier sections. The amplified LO signals are modulated with the I/Q baseband signals at the I/Q modulator sections and then combined at combining amplifier section. The modulated signal is output from pin 14 (IC890) after amplified at the RF amplifier section.

The modulated signal is passed through the bandpass (F1880) and low-pass (L892, L893, C904–C908) filters and then applied to the 1st mixer circuit.

• DIGITAL CIRCUITS



**4-2-4 1ST MIXER CIRCUITS
(MAIN-D/MAIN-D-1 UNIT)**

The 1st mixer circuits convert to the RF signal with the 1st LO signal.

The filtered signal from the low-pass filter (L892, L893, C904–C908) is applied to the 1st mixer circuit (IC960, pins 1, 6). The applied signal is mixed with the 1st LO signal coming from the 1st VCO circuit (Q471, Q472, D471) via the buffer amplifiers (Q473, Q710) to convert into the RF signal. The RF signal from the 1st mixer circuit (IC960, pin 6) is passed through the bandpass filter (FI961) and then amplified at the RF amplifier (IC1021).

The amplified signal is passed through the bandpass filter (FI1020) to suppress spurious components and then applied to the drive/power amplifier circuits.

**4-2-5 DRIVE/POWER AMPLIFIER CIRCUITS
(MAIN-D/MAIN-D-1 UNIT)**

The drive/power amplifier circuits amplify the RF signal to the output level.

The filtered RF signal from the bandpass filter (FI1020) is amplified at the pre-drive (Q1080), drive (Q1081) and power (IC1160) amplifiers to obtain a stable 10 W of output power.

The power amplified signal from the power amplifier (IC1160, pin 4) is passed through the antenna switch (D1160), SWR detector circuit (D1166, D1167), low-pass filter which contains strip-line and C1198, and then applied to the antenna connector (CASE; W4) via J1 (CHASSIS-D).

4-2-6 APC CIRCUIT (MAIN-D/MAIN-D-1 UNIT)

The APC circuit protects the driver and power amplifiers from a mismatched output load and stabilizes the output power.

The SWR detector circuit (D1166, D1167) detects the forward signals and reflection signals, and converts it into DC voltage. The output voltage is at a minimum level when the antenna impedance is matched with 50 Ω and is increased

when it is mismatched.

The detected voltage is applied to the APC amplifier (IC1250, pins 3, 4) and is compared with the reference voltage which is supplied from the CPU (LOGIC-D unit: IC50, pin 85) as “PCON” signal.

When antenna impedance is mismatched, the detected voltage exceeds the power setting voltage. The output voltage of the APC amplifiers (IC1250, IC1251) controls the bias voltage of the drive amplifiers (Q1080, Q1081) and to reduce the output power.

4-3 PLL CIRCUITS

4-3-1 PLL CIRCUITS (MAIN-D/MAIN-D-1 UNIT)

The PLL circuit provides stable oscillation of the 1st LO frequencies and 2nd LO frequency. The PLL output compares the phase of the divided VCO frequency to the reference frequency. The PLL output frequency is controlled by the divided ratio (N-data) of a programmable divider.

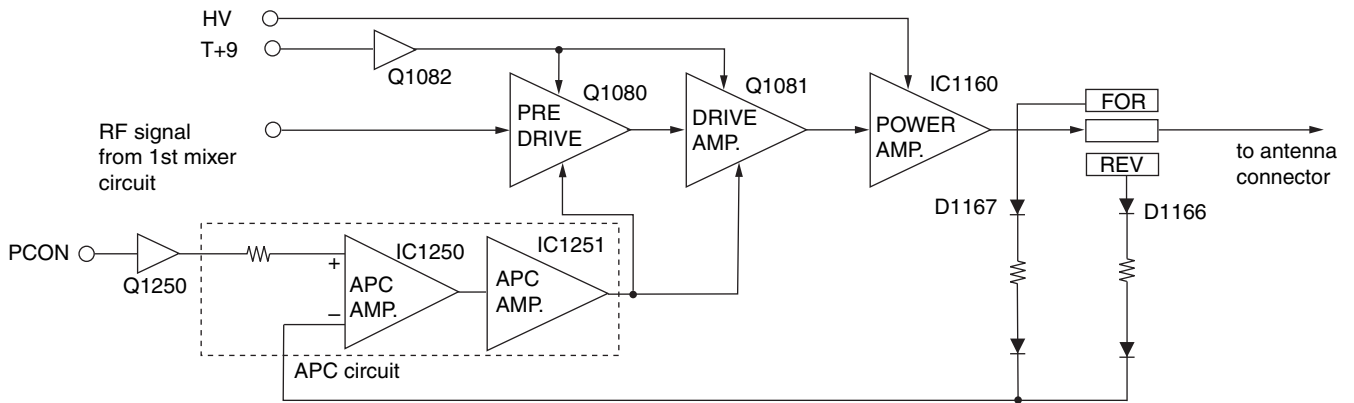
4-3-2 1ST PLL CIRCUIT (MAIN-D/MAIN-D-1 UNIT)

The 1st PLL circuit oscillates the 1st LO frequencies, and signals are applied to the 1st mixer circuits. The oscillated signals from the 1st VCO circuit (Q471, Q472, D471) are applied to the buffer amplifiers (Q473, Q474) and are then applied to the PLL IC (IC400, pin 6).

The PLL IC contains a prescaler, programmable counter, programmable divider and phase detector, etc.

The applied signal is divided at the prescaler and programmable counter section by the N-data ratio from the CPU (LOGIC-D unit; IC50). The divided signal is detected on phase at the phase detector using the reference frequency (X400: 15.3 MHz) and output from pin 4 (IC400). The output signal is passed through the loop filter and is then applied to the 1st VCO circuit.

• APC CIRCUIT



The oscillated signal at the 1st VCO is buffer amplified at Q473 and then passed through the bandpass filter (L-74–L477, C488–C497).

The filtered signal is applied to the buffer amplifier (Q710) and then applied to the T/R switch (D710, D711).

The receive 1st LO signal from the T/R switch (D711) is applied to the 1st mixer circuit (IC71).

The transmit signal from the T/R switch (D710) is applied to the 1st mixer circuit (IC960).

4-3-3 2ND PLL CIRCUIT (MAIN-D/MAIN-D-1 UNIT)

The 2nd PLL circuit oscillates the 2nd LO frequency, and the signal is applied to the 2nd mixer circuit and quadrature modulator.

The signal oscillated at the 2nd VCO circuit (Q631, D630) is amplified at the buffer amplifiers (Q632, Q633), then applied to the PLL IC (IC550, pin 19). The applied signal is divided at the prescaler and programmable counter section by the N-data ratio from the CPU (LOGIC-D unit; IC50). The divided signal is detected on phase at the phase detector using the reference frequency (X400: 15.3 MHz) and output from pin 13 (IC550). The detected signal is passed through the loop filter (R555–R557, C564, C567) and then applied to the 2nd VCO circuit via the mode switch (IC551, pins 1, 7).

The oscillated signal at the 2nd VCO is amplified at the buffer amplifiers (Q632 Q771), and is then applied to the T/R switch (D770, D771).

The receive 2nd LO signal from the T/R switch (D771) is applied to the 2nd mixer circuit (Q131).

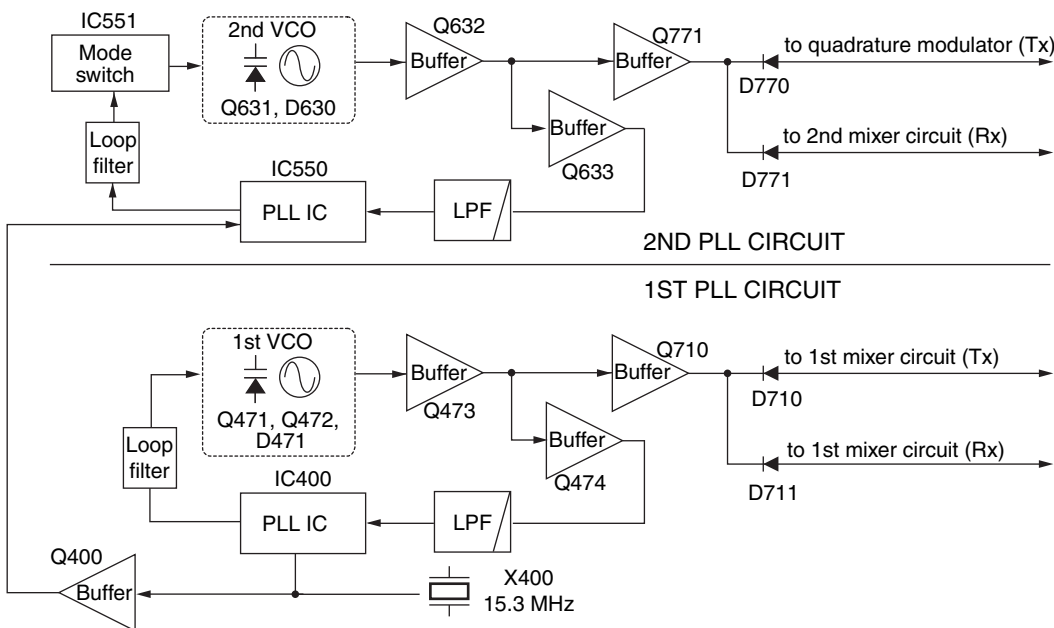
The transmit signal from the T/R switch (D770) is applied to the quadrature modulator (IC890).

4-4 POWER SUPPLY CIRCUITS

4-4-1 LOGIC-D UNIT VOLTAGE LINE

Line	Description
5V	Common 5 V controlled by the +5 V regulator circuit (IC500, Q500, Q501) using the “PWRS” signal from the CPU (IC50, pin 101). The output voltage is applied to the baseband filters (IC300–302), etc.
3.3V	Common 3.3 V converted from the 5V line by the 3.3V regulator circuit (IC502). The output voltage is applied to the FPGA IC (IC200) and buffer amplifier (IC901), etc.
3.3V	Common 3.3 V converted from the 5V line by the 3.3V regulator circuit (IC504). The output voltage is applied to the CPU (IC50) and A/D converter (IC55), etc.

• PLL CIRCUIT



4-4-2 MAIN-D/MAIN-D-1 UNIT VOLTAGE LINE

Line	Description
HV	The voltage from a DC power supply.
VCC	The same voltage as the HV line which is controlled by the power switching circuit (Q23, Q24). When the power switch is pushed, the CPU outputs the "PWR" control signal to the power switching circuit to turn the circuit ON.
+9	Common 9 V converted from the HV line at the +9 CTRL circuit (IC1330). The output voltage is applied to the 1st VCO (Q471), etc.
+5	Common 5 V converted from the +9V line at the 5 V regulator circuit (IC1331). The output voltage is applied to the APC amplifier (IC1251) and buffer amplifier (Q710), etc.
DM+5	Common 5 V converted from the +9V line at the 5 V regulator circuit (IC830). The output voltage is applied to the modulation amplifiers (IC831, IC832), etc.
T+9	Transmit 9 V controlled by the T+9 regulator circuit (Q1333, Q1334, D1331) using the "TXS" signal from the CPU (LOGIC-D unit; IC50, pin 94). The output voltage is applied to the APC amplifier (IC1250), etc.
T+5	Transmit 5 V controlled by the T+5 regulator circuit (Q1336, D1332, D1333) using the "TXS" signal from the CPU (LOGIC-D unit; IC50, pin 94). The output voltage is applied to the RF amplifier (IC1021), etc.
R+5	Receive 5 V controlled by the R+5 regulator circuit (Q1337) using the "RXS" signal from the CPU (LOGIC-D unit; IC50, pin 95). The output voltage is applied to the RF amplifier (Q2) and 1st mixer (IC71), etc.
T+3	Transmit 3 V controlled by the T+3 regulator circuit (Q1342) using the "TXS" signal from the CPU (LOGIC-D unit; IC50, pin 94). The output voltage is applied to the 1st mixer (IC960), etc.
R+3	Receive 3 V controlled by the R+3 regulator circuit (Q1343) using the "RXS" signal from the CPU (LOGIC-D unit; IC50, pin 95). The output voltage is applied to the RF amplifier (Q1), etc.

4-5 PORT ALLOCATIONS

4-5-1 CPU (LOGIC-D UNIT; IC50)

Pin number	Port name	Description
42	TXD1	Output data signals to the USB controller (IC550, pin 24).
43	RXD1	Input port for data signals from the USB controller (IC550, pin 25) via the (IC553).
53	SDA	I/O port for data signals from/to the EEPROM (IC54, pin 5).
54	SCL	Outputs clock signal to the EEPROM (IC54, pin 6).
71	RESET	Input port for reset signal form the reset IC (IC52, pin 1).
72	P2RSC	Outputs control signal to the mode switch (MAIN-D unit; IC551, pin 5) via the level converter (IC55).
73	P2STC	Outputs strobe signal to the 2nd PLL IC (MAIN-D unit; IC550, pin 3) via the level converter (IC55).
74	PDATC	Outputs the data signal to the 1st and 2nd PLL ICs (MAIN-D unit; IC400, pin 15, IC550, pin 5) via the level converter (IC55).
75	PSCKC	Outputs clock signal to the 1st and 2nd PLL ICs (MAIN-D unit; IC400, pin 14, IC550, pin 4) via the level converter (IC55).
76	P1STC	Outputs strobe signal to the 1st PLL IC (MAIN-D unit; IC400, pin 16) via the level converter (IC55).
77	+5AC	Outputs control signal to the 5A (Q1345) and D+5 (Q1347) regulators via the level converter (IC55). Low: While the +5 and D+5 regulators are activated.
85	PCON	Outputs control signal to the TX power controller (MAIN-D unit; Q1250).
86	ULCK	Input port for the PLL unlock signal. High: The PLL circuit is unlocked.
94	TXS	Outputs the T+5, T+3 regulator circuits (MAIN-D unit; Q1336, Q1342) control signal. High: During transmit.
95	RXS	Outputs the R+5, R+3 regulator circuits (MAIN-D unit; Q1337, Q1343) control signal. High: During receive.

Pin number	Port name	Description
103	AFCSW	Outputs AFC switch (IC352, pin 5) control signal.
105	DACK2	Outputs clock signal to the D/A converter (IC57, pin 7).
106	DADAT2	Outputs the data signal to the D/A converter (IC57, pin 6).
107	DACK1	Outputs clock signal to the D/A converter (IC56, pin 7).
108	DADAT1	Outputs the data signal to the D/A converter (IC56, pin 6).
128	FSTB	Outputs strobe signal to the FPGA IC (IC200).
129	MSTRC	Outputs strobe signal to the liner CODEC IC (IC1) and FPGA IC (IC200).
130	MDATC	Outputs the data signal to the liner CODEC IC (IC1) and FPGA IC (IC200).
131	MCLKC	Outputs clock signal to the liner CODEC IC (IC1) and FPGA IC (IC200).
132	MRESC	Outputs reset signal to the liner CODEC IC (IC1) and FPGA IC (IC200).

SECTION 5

PARTS LIST

[FRONT UNIT]

REF NO.	PARTS NO.	DESCRIPTION	M.	H/V LOCATION
D1	1730002300	S.ZEN MA8082-M(TX)	T	7.5/21.8
D3	1790001711	S.DIO NNCD5.6C-T1-A	T	57.5/16.7
D4	1790001711	S.DIO NNCD5.6C-T1-A	T	53/16.7
D5	1790001711	S.DIO NNCD5.6C-T1-A	T	48.4/16.7
D6	1790001711	S.DIO NNCD5.6C-T1-A	T	43.9/16.7
R1	7030006250	S.RES ERJ12YJ271U (270)	T	8.5/30.5
R2	7030008180	S.RES ERJ12YJ331U (330)	T	8.5/7.8
R3	7030003860	S.RES ERJ3GE JPW V	T	60.5/16.5
R4	7030003860	S.RES ERJ3GE JPW V	T	56/16.5
R5	7030003860	S.RES ERJ3GE JPW V	T	51.5/16.5
R6	7030003860	S.RES ERJ3GE JPW V	T	46.9/16.5
C1	4030011600	S.CER C1608 JB 1E 104K-T	T	7.2/18.8
C2	4510008800	S.ELE EEE1EA100SR	T	9.4/25.7
C3	4030007050	S.CER C1608 CH 1H 220J-T	T	59/16.5
C4	4030007050	S.CER C1608 CH 1H 220J-T	T	54.5/16.5
C5	4030007050	S.CER C1608 CH 1H 220J-T	T	49.9/16.5
C6	4030007050	S.CER C1608 CH 1H 220J-T	T	45.4/16.5
C11	4030006850	S.CER C1608 JB 1H 471K-T	T	7.2/20.1
J1	6450002101	CON CMS1410-016010	T	
J3	6510020251	S.CON B9B-PH-SM4-TB(LF)(SN)	T	22.4/39.5
DS1	5040003070	LED MPG4371F		
S1	2220000631	SWI MFS201N-16-Z		

[REAR UNIT]

REF NO.	PARTS NO.	DESCRIPTION	M.	H/V LOCATION
D1	1790001711	S.DIO NNCD5.6C-T1-A	T	36.9/71.8
D2	1790001711	S.DIO NNCD5.6C-T1-A	T	32.9/71.8
D3	1790001711	S.DIO NNCD5.6C-T1-A	T	24.9/71.8
D4	1790001711	S.DIO NNCD5.6C-T1-A	T	20.9/71.8
D5	1790001711	S.DIO NNCD5.6C-T1-A	T	16.9/71.7
D6	1790001711	S.DIO NNCD5.6C-T1-A	T	12.9/71.8
D7	1790000700	DIO DSA3A1		
D8	1790001711	S.DIO NNCD5.6C-T1-A	T	28.9/71.8
R1	7030003300	S.RES ERJ3GEYJ 680 V (68)	T	36/76.4
R2	7030003300	S.RES ERJ3GEYJ 680 V (68)	T	32/76.4
R3	7030003300	S.RES ERJ3GEYJ 680 V (68)	T	24/76.4
R4	7030003320	S.RES ERJ3GEYJ 101 V (100)	T	20/76.4
R5	7030003320	S.RES ERJ3GEYJ 101 V (100)	T	16/76.4
R6	7030003300	S.RES ERJ3GEYJ 680 V (68)	T	12/76.4
R7	7030011030	S.RES ERJ1TYJ 270U (27)	T	35.3/21.3
R8	7030003340	S.RES ERJ3GEYJ 151 V (150)	T	28/76.4
C7	4510008800	S.ELE EEE1EA100SR	T	40.8/26.6
J1	6510018921	S.CON B8B-PH-SM4-TB(LF)(SN)	T	23.9/43
J2	6510016171	CON 52018-88360		
J4	6510011591	CON B2P-VH(LF)(SN)		
J5	6510011461	CON B6P-VH(LF)(SN)		
J6	6510018961	S.CON B2B-PH-SM4-TB(LF)(SN)	T	39.8/36.3

[CHASSIS-D UNIT]

REF NO.	PARTS NO.	DESCRIPTION	M.	H/V LOCATION
IC1160	1150002020	IC M57762-022		
J1	6510004910	CON NR-DS-E 01		
MF1	2710000840	FAN MF40H-12		
W1	8900010891	CAB OPC-1115A (P0.5,N30,L45)		
W2	8900010891	CAB OPC-1115A (P0.5,N30,L45)		

[MAIN-D UNIT]

REF NO.	PARTS NO.	DESCRIPTION	M.	H/V LOCATION
IC71	1110004470	S.IC UPC2721GV-E11	T	45.5/76.4
IC271	1110004070	S.IC MC3356DW-R22	T	81.6/33.6
IC343	1110005290	S.IC NJM2115V-TE1-#ZZZB	T	98.2/28.2
IC400	1130010100	S.IC LMX2352TMX/NOBPB	B	25.6/64.8
IC550	1130007611	S.IC UPD3140GS-E1-A	B	12.7/35
IC830	1110006090	S.IC XC6202P502PR	B	38.3/28.2
IC831	1110002751	S.IC TA75S01F(TE85R,F)	B	62/33.4
IC832	1110004050	S.IC NJM3404AV-TE1-#FMZB	B	57.9/32.6
IC890	1110005410	S.IC RF2485 <I.A> 2	B	48.5/41.7
IC960	1110005150	S.IC UPC8163TB-E3	B	53.3/61.8
IC1021	1110001890	S.IC UPC1678G-E21	T	68.1/53.9
IC1250	1110002751	S.IC TA75S01F(TE85R,F)	B	78.9/124.3
IC1251	1110002751	S.IC TA75S01F(TE85R,F)	B	80.1/11.6
IC1330	1180002080	S.REG BA09FP-E2	B	75.3/89
IC1331	1180001071	S.IC TA7805F(TE16L,Q)	B	77/100.9
IC1332	1180002020	S.REG BA033FP-E2	B	36.4/96.1
Q1	1590002970	S.FET NE34018-T1 641	T	57.3/105.2
Q131	1580000680	S.FET 3SK241-R(TX)1	T	40.9/57.9
Q270	1530002601	S.TRA 2SC4215-O(TE85R,F)	T	62.6/41
Q271	1530002601	S.TRA 2SC4215-O(TE85R,F)	T	65.6/41
Q400	1530003311	S.TRA 2SC5107-O(TE85R,F)	T	23.2/52.5
Q470	1540000660	S.TRA 2SD2216J-S	T	14.6/74.6
Q471	1530003560	S.TRA 2SC5195-T10	T	25.6/73.1
Q472	1530003560	S.TRA 2SC5195-T10	T	23.5/73.3
Q473	1530003311	S.TRA 2SC5107-O(TE85R,F)	T	29.9/67.6
Q474	1530003311	S.TRA 2SC5107-O(TE85R,F)	B	29/72.8
Q631	1530003311	S.TRA 2SC5107-O(TE85R,F)	T	23.7/32.8
Q632	1530003311	S.TRA 2SC5107-O(TE85R,F)	T	29/30.2
Q633	1530003311	S.TRA 2SC5107-O(TE85R,F)	B	26.3/29.8
Q634	1540000660	S.TRA 2SD2216J-S	T	30.3/35
Q710	1530003311	S.TRA 2SC5107-O(TE85R,F)	B	38.6/73.3
Q770	1590001330	S.TRA DTA114EUA T106	B	34.1/58.8
Q771	1530003311	S.TRA 2SC5107-O(TE85R,F)	T	26.6/41.1
Q890	1530003311	S.TRA 2SC5107-O(TE85R,F)	B	35.3/39.4
Q1080	1560001091	S.FET 2SK2854(T2LICOM,F)	B	98.4/39.4
Q1081	1560001141	S.FET 2SK2855(TE12L,F)0	B	108.6/38.2
Q1082	1540000471	S.TRA 2SD1801S-TL-E	B	76.3/65.4
Q1250	1590000430	S.TRA DTC144EUA T106	B	64.7/127.1
Q1330	1590001320	S.TRA DTC1432UA T106	B	63.8/108.7
Q1331	1510000890	S.TRA DTA143TU T106	B	63.8/105.3
Q1332	1530003910	S.TRA 2SC4684 (TE16L1 NQ)	B	63.4/98.6
Q1333	1520000730	S.TRA 2SB934P(DS)-(TX)	B	76.3/75.5
Q1334	1530002280	S.TRA 2SC4081 T106 S	B	63.1/74.7
Q1335	1590000430	S.TRA DTC144EUA T106	B	62.8/71.6
Q1336	1540000441	S.TRA 2SD1619T-TD-E	B	26.6/95.1
Q1337	1510000581	S.TRA 2SA1362-GR(TE85R,F)	B	37/89.7
Q1338	1590000430	S.TRA DTC144EUA T106	T	27.5/95.2
Q1340	1590000430	S.TRA DTC144EUA T106	T	25/95.2
Q1341	1590000430	S.TRA DTC144EUA T106	T	35.4/96.8
Q1342	1510000581	S.TRA 2SA1362-GR(TE85R,F)	B	40.2/87.8
Q1343	1510000581	S.TRA 2SA1362-GR(TE85R,F)	B	42.9/93.8
Q1344	1590000430	S.TRA DTC144EUA T106	T	44.6/89.2
Q1350	1510000581	S.TRA 2SA1362-GR(TE85R,F)	B	39.9/34.3
Q1351	1590000430	S.TRA DTC144EUA T106	B	35.6/32.9
Q1352	1590000430	S.TRA DTC144EUA T106	B	48.2/89.4
Q1750	1520000201	S.TRA 2SB798-T2-AZ DK	B	23.2/114.9
Q1751	1530002280	S.TRA 2SC4081 T106 S	T	26.5/119.1
Q1800	1590000720	S.TRA DTA144EUA T106	T	11/24.8
D470	1730002300	S.ZEN MA8082-M(TX)	T	14.1/69.1
D471	1720000471	S.VAR 1SV239(TPH3,F)	T	20.8/76.9
D630	1720000691	S.VAR 1SV282(TPH2,F)	T	13.8/41.3
D633	1730002300	S.ZEN MA8082-M(TX)	T	35.3/38.7
D710	1790001621	S.DIO 1SV308(TPL3,F)	B	41.8/64.6
D711	1790001621	S.DIO 1SV308(TPL3,F)	B	41.5/69.5
D770	1750000581	S.DIO 1SV307(TPH3,F)	B	31.2/39.9
D771	1750000581	S.DIO 1SV307(TPH3,F)	B	29/44.3
D1080	1730002300	S.ZEN MA8082-M(TX)	B	83.1/67.6
D1160	1750000760	S.DIO MA4PH224 (MA4P1250-1072T)	T	90.9/106.4
D1161	1750000760	S.DIO MA4PH224 (MA4P1250-1072T)	T	81/108.5
D1162	1750000760	S.DIO MA4PH224 (MA4P1250-1072T)	T	77.8/111.5
D1164	1720000361	S.DIO HSU88TRF-E	T	88.4/121.8
D1165	1720000361	S.DIO HSU88TRF-E	B	93.1/126.3
D1166	1720000361	S.DIO HSU88TRF-E	T	95.7/109.5
D1168	1790001040	S.ZEN MA8033-L(TX)	B	64.7/119.1
D1169	1790001040	S.ZEN MA8033-L(TX)	B	64.7/122.4
D1250	1720000361	S.DIO HSU88TRF-E	T	69.1/124.2
D1251	1720000361	S.DIO HSU88TRF-E	B	71.6/121.4
D1252	1720000361	S.DIO HSU88TRF-E	B	74.6/120.2
D1254	1720000361	S.DIO HSU88TRF-E	B	80/121.3
D1330	1790000700	DIO DSA3A1		
D1331	1750000550	S.DIO 1SS355 TE-17	B	68.1/70.7
D1332	1750000550	S.DIO 1SS355 TE-17	T	27.3/92
D1333	1750000550	S.DIO 1SS355 TE-17	T	29.1/92
D1750	1730002300	S.ZEN MA8082-M(TX)	T	26.4/121.3
D1800	1750000550	S.DIO 1SS355 TE-17	T	13.5/23.2
D1801	1750000550	S.DIO 1SS355 TE-17	T	8.6/22.3
FI1	2040001660	S.FIL LFB431G28SN1A362 (LFSN30N18C1)	T	51.3/100.6
FI2	2040001660	S.FIL LFB431G28SN1A362 (LFSN30N18C1)	T	51.3/88.9
FI71	2040001650	S.SAW WF447B-T	T	47.2/68.9
FI272	2020002190	CER SFELF10M7HA0G-B0		

M.=Mounted side (T: Mounted on the Top side, B: Mounted on the Bottom side) S.=Surface mount

[MAIN-D UNIT]

REF NO.	PARTS NO.	DESCRIPTION	M.	H/V LOCATION
FI273	2020002190	CER SFELF10M7HA0G-B0		
FI880	2040001650	S.SAW WF447B-T	T	50.2/51.5
FI961	2040001360	S.FIL LFB431G27AL1A3032	T	63.6/62.6
FI1020	2040001360	S.FIL LFB431G27AL1A3032	T	85/48.4
X271	6070000260	DIS CDALF10M7CA004A-B0	T	74.9/31
X400	6050010930	S.XTA CR-662 DSA751HA 15.3 MHz2	T	14.3/55.1
L1	6200006030	S.COI LQP18MN4N7C02D	T	66.8/105.6
L2	6200006020	S.COI LQP18MN3N9C02D	T	64.7/108.8
L3	6200006030	S.COI LQP18MN4N7C02D	T	60.5/105.3
L4	6200006060	S.COI LQP18MN8N2C02D	T	59.2/105.3
L5	6200006040	S.COI LQP18MN5N6C02D	T	56.9/102.5
L71	6200006991	S.COI ELJURE 56NGFA	T	40.4/78.9
L72	6200006991	S.COI ELJURE 56NGFA	T	47.6/72.7
L73	6200006991	S.COI ELJURE 56NGFA	T	42.3/68.8
L74	6200009351	S.COI ELJURE R22GFA	T	40.5/60.3
L131	6200002710	S.COI ELJFC 1R8K-F	T	40.8/54.5
L132	6200001981	S.COI NLV25T-1R0J	T	40.8/51.1
L400	6200006991	S.COI ELJURE 56NGFA	T	9.4/66.9
L404	6200006991	S.COI ELJURE 56NGFA	B	14.9/63.7
L415	6200006991	S.COI ELJURE 56NGFA	T	9.5/49.5
L470	6200006991	S.COI ELJURE 56NGFA	T	23.5/69.5
L472	6200009390	S.COI C3328A-8N0J-A	T	24.6/78.2
L473	6200002631	S.COI NLV25T-F10J	T	20/79.4
L474	6200005621	S.COI ELJURE 4N7ZFA	T	32.2/67.6
L475	6200005641	S.COI ELJURE 6N8ZFA	T	32.2/70.2
L476	6200005651	S.COI ELJURE 8N2ZFA	T	35.3/73.4
L477	6200005641	S.COI ELJURE 6N8ZFA	T	35.3/77.3
L480	6200005641	S.COI ELJURE 6N8ZFA	B	27.4/74.9
L481	6200006991	S.COI ELJURE 56NGFA	T	14.3/77.8
L550	6200001981	S.COI NLV25T-1R0J	B	21.7/36.1
L553	6200006991	S.COI ELJURE 56NGFA		
L554	6200006991	S.COI ELJURE 56NGFA	B	24.9/37.6
L630	6200009700	S.COI C6328A-28NG-A	T	17.7/39.1
L631	6200005701	S.COI ELJURE 22NGFA	B	21.4/30.4
L632	6200006991	S.COI ELJURE 56NGFA	T	32.8/30.8
L633	6200001981	S.COI NLV25T-1R0J	T	17.7/43.9
L636	6200006991	S.COI ELJURE 56NGFA	T	26.7/33.5
L712	6200006991	S.COI ELJURE 56NGFA	T	38.4/76.7
L713	6200005621	S.COI ELJURE 4N7ZFA	B	36.6/68.7
L714	6200005641	S.COI ELJURE 6N8ZFA	B	36.4/74.3
L717	6200006991	S.COI ELJURE 56NGFA	T	9.9/69.5
L718	6200006991	S.COI ELJURE 56NGFA	T	34.3/58.6
L719	6200006991	S.COI ELJURE 56NGFA	T	39/68.7
L720	6200006991	S.COI ELJURE 56NGFA	T	35.2/55.9
L770	6200005701	S.COI ELJURE 22NGFA	B	31/50.4
L880	6200006991	S.COI ELJURE 56NGFA	T	49.6/45.5
L881	6200006991	S.COI ELJURE 56NGFA	T	45.2/52.6
L891	6200005711	S.COI ELJURE 27NGFA	B	40.9/45
L892	6200005721	S.COI ELJURE 33NGFA	T	46.5/57.8
L893	6200005731	S.COI ELJURE 39NGFA	T	46.5/60.4
L895	6200006991	S.COI ELJURE 56NGFA	B	38.2/36.5
L896	6200006991	S.COI ELJURE 56NGFA	B	37.5/38.6
L897	6200006991	S.COI ELJURE 56NGFA	B	42.5/41.2
L898	6200001981	S.COI NLV25T-1R0J	B	40.7/37.6
L961	6200006991	S.COI ELJURE 56NGFA	B	52.6/64.6
L962	6200005651	S.COI ELJURE 8N2ZFA	B	55.5/61.8
L964	6200006991	S.COI ELJURE 56NGFA	B	43.6/81
L1020	6200006991	S.COI ELJURE 56NGFA	B	69.1/53.7
L1021	6200005661	S.COI ELJURE 10NGFA	T	72.8/53.8
L1080	6200005741	S.COI ELJURE 47NGFA	B	100.6/43.6
L1081	6200013080	S.COI 0.25-1.9-10TL 97.0N <COMO>	T	112.1/45.6
L1082	6200007740	S.COI LQW2BHN47NJ03L	T	107.3/48.1
L1085	6200006991	S.COI ELJURE 56NGFA	T	106.5/50.4
L1086	6200006991	S.COI ELJURE 56NGFA	T	99.8/46.6
L1087	6200006991	S.COI ELJURE 56NGFA	B	80.9/106.5
L1161	6200009700	S.COI C6328A-28NG-A	T	105.2/95.9
L1162	6200009410	S.COI C3328A-2N5K-A	T	85.1/108.6
L1163	6200009410	S.COI C3328A-2N5K-A	T	73.7/107.3
L1164	6200006991	S.COI ELJURE 56NGFA	B	97.4/127.1
L1166	6200009700	S.COI C6328A-28NG-A	T	93/83.6
L1167	6200008911	S.COI 1812CS-122XJLC	T	101.1/84.8
L1250	6200005741	S.COI ELJURE 47NGFA	B	60.8/126.1
L1251	6200006991	S.COI ELJURE 56NGFA	B	76.2/113
L1330	6200006991	S.COI ELJURE 56NGFA	T	21.2/93.5
L1331	6200006991	S.COI ELJURE 56NGFA	B	22.9/92.3
L1332	6200006991	S.COI ELJURE 56NGFA	B	22.5/91
L1333	6200006991	S.COI ELJURE 56NGFA	B	45.2/81
L1334	6200006991	S.COI ELJURE 56NGFA	B	56.7/71.6
L1335	6200006991	S.COI ELJURE 56NGFA	B	62.2/76.6
L1348	6200006991	S.COI ELJURE 56NGFA	B	51.8/67.2
L1349	6200006991	S.COI ELJURE 56NGFA	B	58.7/57.8
L1360	6200006991	S.COI ELJURE 56NGFA	T	38/50
L1550	6200006991	S.COI ELJURE 56NGFA	B	17.2/56.8
L1804	6200006991	S.COI ELJURE 56NGFA	B	26.2/99.4
L1805	6200006991	S.COI ELJURE 56NGFA	B	54.5/108.5
R1	7030003260	S.RES ERJ3GEYJ 330 V (33)	T	55.4/106.3
R2	7030003240	S.RES ERJ3GEYJ 220 V (22)	T	56.9/98.5
R7	7030003340	S.RES ERJ3GEYJ 151 V (150)	B	47/85
R8	7030003220	S.RES ERJ3GEYJ 150 V (15)	B	47.7/83.1
R70	7030003200	S.RES ERJ3GEYJ 100 V (10)	T	40.7/76.6
R71	7030003320	S.RES ERJ3GEYJ 101 V (100)	T	44.4/73.8
R84	7030003440	S.RES ERJ3GEYJ 102 V (1K)	T	91/28.7
R91	7030003320	S.RES ERJ3GEYJ 101 V (100)	T	101/24.9
R92	7030003680	S.RES ERJ3GEYJ 104 V (100K)	T	95.5/30
R93	7030003560	S.RES ERJ3GEYJ 103 V (10K)	T	93.6/30
R94	7030003600	S.RES ERJ3GEYJ 223 V (22K)	T	98.9/33.3
R131	7030003600	S.RES ERJ3GEYJ 223 V (22K)	T	43.2/60.3
R132	7030003560	S.RES ERJ3GEYJ 103 V (10K)	T	43.8/59

[MAIN-D UNIT]

REF NO.	PARTS NO.	DESCRIPTION	M.	H/V LOCATION
R133	7030003300	S.RES ERJ3GEYJ 680 V (68)	T	43.3/55.1
R134	7030003320	S.RES ERJ3GEYJ 101 V (100)	T	51.4/73.3
R135	7030003440	S.RES ERJ3GEYJ 102 V (1K)	B	39.1/54.5
R270	7030003490	S.RES ERJ3GEYJ 272 V (2.7K)	T	82.9/28
R271	7030003680	S.RES ERJ3GEYJ 104 V (100K)	T	80.4/28
R272	7030003510	S.RES ERJ3GEYJ 392 V (3.9K)	T	84.9/26
R273	7030003590	S.RES ERJ3GEYJ 183 V (18K)	T	84.2/28
R274	7030003590	S.RES ERJ3GEYJ 183 V (18K)	T	85/24.8
R276	7030003450	S.RES ERJ3GEYJ 122 V (1.2K)	T	78.5/31
R277	7030003280	S.RES ERJ3GEYJ 470 V (47)	T	74.7/37.5
R279	7030003640	S.RES ERJ3GEYJ 473 V (47K)	B	72.3/3.8
R284	7030003320	S.RES ERJ3GEYJ 101 V (100)	T	59.9/40.6
R285	7030003380	S.RES ERJ3GEYJ 331 V (330)	T	67.2/43
R287	7030003320	S.RES ERJ3GEYJ 101 V (100)	T	63.5/39.1
R288	7030003400	S.RES ERJ3GEYJ 471 V (470)	T	68.3/40.5
R289	7030003620	S.RES ERJ3GEYJ 333 V (33K)	T	63.5/37.9
R291	7030003680	S.RES ERJ3GEYJ 104 V (100K)	T	71.3/22.7
R292	7510001670	S.THR NTCG16 4BH 103KT2	T	73.3/39.4
R293	7030003450	S.RES ERJ3GEYJ 122 V (1.2K)	T	74.1/41.3
R294	7030003280	S.RES ERJ3GEYJ 470 V (47)	B	46.3/51.8
R296	7030003530	S.RES ERJ3GEYJ 562 V (5.6K)	T	74.7/39.4
R331	7030003720	S.RES ERJ3GEYJ 224 V (220K)	B	81.6/124.3
R340	7030003520	S.RES ERJ3GEYJ 472 V (4.7K)	T	67.3/35.3
R400	7030003440	S.RES ERJ3GEYJ 102 V (1K)	B	25.2/54.9
R401	7030003440	S.RES ERJ3GEYJ 102 V (1K)	B	28.4/56.8
R402	7030003440	S.RES ERJ3GEYJ 102 V (1K)	B	31.6/68.9
R403	7030003440	S.RES ERJ3GEYJ 102 V (1K)	B	29.9/58.6
R404	7030003440	S.RES ERJ3GEYJ 102 V (1K)	B	31.4/59.4
R405	7030003290	S.RES ERJ3GEYJ 560 V (56)	B	27.9/70.5
R406	7030003460	S.RES ERJ3GEYJ 152 V (1.5K)	B	18.8/73.4
R407	7030003440	S.RES ERJ3GEYJ 102 V (1K)	B	20.7/74.3
R409	7030003320	S.RES ERJ3GEYJ 101 V (100)	T	23/55.7
R410	7030003660	S.RES ERJ3GEYJ 683 V (68K)	T	23/54.4
R411	7030003440	S.RES ERJ3GEYJ 102 V (1K)	T	20.8/49.7
R412	7030003670	S.RES ERJ3GEYJ 823 V (82K)	T	20.4/51.7
R413	7030003360	S.RES ERJ3GEYJ 221 V (220)	T	21/55
R414	7030003560	S.RES ERJ3GEYJ 103 V (10K)	T	23/57.1
R415	7030003320	S.RES ERJ3GEYJ 101 V (100)	T	11/50.7
R416	7030003320	S.RES ERJ3GEYJ 101 V (100)	T	20.2/57.1
R470	7030003360	S.RES ERJ3GEYJ 221 V (220)	T	14.9/71.5
R471	7030006600	S.RES ERA3YED 272V (2.7K)	T	27.5/74
R472	7030006571	S.RES ERA3YED 392V (3.9K)	T	27.3/76.7
R473	7030006571	S.RES ERA3YED 392V (3.9K)	T	21.2/72.7
R474	7030003400	S.RES ERJ3GEYJ 471 V (470)	T	21.2/75.3
R475	7030003280	S.RES ERJ3GEYJ 470 V (47)	T	26.7/67.6
R476	7030003650	S.RES ERJ3GEYJ 563 V (56K)	T	28/67.6
R478	7030003320	S.RES ERJ3GEYJ 101 V (100)	T	27.3/69.5
R479	7030003420	S.RES ERJ3GEYJ 681 V (680)	T	35.4/66.8
R480	7030003290	S.RES ERJ3GEYJ 560 V (56)	B	36/76.5
R481	7030003310	S.RES ERJ3GEYJ 820 V (82)	T	29.9/75.7
R483	7030003640	S.RES ERJ3GEYJ 473 V (47K)	B	29.3/74.7
R484	7030003320	S.RES ERJ3GEYJ 101 V (100)	B	28.7/78.1
R485	7030003270	S.RES ERJ3GEYJ 390 V (39)	T	31.3/65.6
R486	7030003320	S.RES ERJ3GEYJ 101 V (100)	T	14.9/72.8
R487	7030009691	S.RES ERA3YED 101V (100)	T	21.9/79
R550	7030003290	S.RES ERJ3GEYJ 560 V (56)	B	18.2/34.1
R551	7030003440	S.RES ERJ3GEYJ 102 V (1K)	B	11.1/27.5
R552	7030003440	S.RES ERJ3GEYJ 102 V (1K)	B	9.5/26.7
R553	7030003440	S.RES ERJ3GEYJ 102 V (1K)	B	7.9/27.5
R554	7030003440	S.RES ERJ3GEYJ 102 V (1K)	B	6.3/26.7
R555	7030003440	S.RES ERJ3GEYJ 102 V (1K)	B	10.1/40.8
R556	7030003460	S.RES ERJ3GEYJ 152 V (1.5K)	B	7.3/40.8
R557	7030003320	S.RES ERJ3GEYJ 101 V (100)	B	9.3/42.6
R632	7030003440	S.RES ERJ3GEYJ 102 V (1K)	T	20/42.8
R634	7030003860	S.RES ERJ3GE JPW V	T	14.4/38.1
R636	7030003490	S.RES ERJ3GEYJ 272 V (2.7K)	T	22.6/35.8
R637	7030003490	S.RES ERJ3GEYJ 272 V (2.7K)	T	20.9/33.4
R638	7030003440	S.RES ERJ3GEYJ 102 V (1K)	T	21.3/29.6
R639	7030003320	S.RES ERJ3GEYJ 101 V (100)	T	24.6/35.4
R640	7030003320	S.RES ERJ3GEYJ 101 V (100)	T	25.9/35.4
R642	7030003			

[MAIN-D UNIT]

REF NO.	PARTS NO.	DESCRIPTION	M.	H/V LOCATION
R845	7030003440	S.RES ERJ3GEYJ 102 V (1K)	B	41.5/30.7
R846	7030003440	S.RES ERJ3GEYJ 102 V (1K)	B	42.8/29.9
R847	7030003440	S.RES ERJ3GEYJ 102 V (1K)	B	46.2/32.9
R848	7030003440	S.RES ERJ3GEYJ 102 V (1K)	B	47.5/32.9
R890	7030003640	S.RES ERJ3GEYJ 473 V (47K)	B	35.4/37.5
R891	7030003400	S.RES ERJ3GEYJ 471 V (470)	B	38.1/44.1
R892	7030003400	S.RES ERJ3GEYJ 471 V (470)	B	35.4/42.6
R893	7030003200	S.RES ERJ3GEYJ 100 V (10)	B	38.9/42.2
R895	7030003320	S.RES ERJ3GEYJ 101 V (100)	B	35.6/36.2
R897	7030003290	S.RES ERJ3GEYJ 560 V (56)	B	44.7/46.8
R898	7030003320	S.RES ERJ3GEYJ 101 V (100)	B	46.8/35.5
R899	7030003290	S.RES ERJ3GEYJ 560 V (56)	B	52.9/47.3
R960	7030003370	S.RES ERJ3GEYJ 271 V (270)	T	60.4/60.6
R961	7030003340	S.RES ERJ3GEYJ 151 V (150)	B	45.9/62.5
R1020	7030003320	S.RES ERJ3GEYJ 101 V (100)	B	83.2/121.9
R1023	7030003430	S.RES ERJ3GEYJ 821 V (820)	T	78.6/46.6
R1024	7030004030	S.RES ERJ3GEYJ 5R6 V (5.6)	T	79.4/48.5
R1025	7030003430	S.RES ERJ3GEYJ 821 V (820)	T	80.1/46.6
R1028	7030003430	S.RES ERJ3GEYJ 821 V (820)	B	88.6/41
R1029	7030004030	S.RES ERJ3GEYJ 5R6 V (5.6)	B	89.4/43.1
R1030	7030003430	S.RES ERJ3GEYJ 821 V (820)	B	90.8/40.9
R1080	7030003360	S.RES ERJ3GEYJ 221 V (220)	B	94.6/43.9
R1081	7030003460	S.RES ERJ3GEYJ 152 V (1.5K)	B	93/45.5
R1083	7030003350	S.RES ERJ3GEYJ 181 V (180)	B	76.2/69.8
R1084	7030003300	S.RES ERJ3GEYJ 680 V (68)	B	105.1/43.3
R1085	7030003320	S.RES ERJ3GEYJ 101 V (100)	T	107.3/45.9
R1086	7310005050	S.TRI RH03ADC3X (4.7K)1	T	73.9/117.4
R1087	7310005050	S.TRI RH03ADC3X (4.7K)1	T	80/118.3
R1088	7030003460	S.RES ERJ3GEYJ 152 V (1.5K)	T	104.6/44
R1090	7030006150	S.RES ERJ1WYJ271U (270)0	B	121.7/53.4
R1160	7030010420	S.RES ERJ1TYJ 560U (56)	T	106.4/88.2
R1161	7030003640	S.RES ERJ3GEYJ 473 V (47K)	T	86.7/119.4
R1164	7030000260	S.RES MCR10EZJH 100 (101)	T	99.8/109.5
R1165	7030003560	S.RES ERJ3GEYJ 103 V (10K)	B	95/127.9
R1167	7030000250	S.RES MCR10EZJH 82 (820)	T	105.8/118
R1169	7030000500	S.RES MCR10EZJH 10 K (103)	B	120.8/126.2
R1170	7030006260	S.RES ERJ12YJ471U (470)	B	67.7/121.6
R1250	7030003530	S.RES ERJ3GEYJ 562 V (5.6K)	B	71.6/124.6
R1251	7310005140	S.TRI RH03ADC3X (2.2K)1	T	73.4/126.7
R1252	7030003480	S.RES ERJ3GEYJ 222 V (2.2K)	T	69.7/127.8
R1254	7030003440	S.RES ERJ3GEYJ 102 V (1K)	B	70.3/127.1
R1255	7030003560	S.RES ERJ3GEYJ 103 V (10K)	B	75.9/127.1
R1256	7030003600	S.RES ERJ3GEYJ 223 V (22K)	B	87.6/125.1
R1257	7030003640	S.RES ERJ3GEYJ 473 V (47K)	B	88.4/127.5
R1258	7030003320	S.RES ERJ3GEYJ 101 V (100)	B	77.6/121
R1259	7030003320	S.RES ERJ3GEYJ 101 V (100)	B	77/115.1
R1260	7030003560	S.RES ERJ3GEYJ 103 V (10K)	B	77.7/117.5
R1330	7030003200	S.RES ERJ3GEYJ 100 V (10)	B	64.6/102.8
R1331	7030003440	S.RES ERJ3GEYJ 102 V (1K)	B	66/104.9
R1332	7030003560	S.RES ERJ3GEYJ 103 V (10K)	B	65.8/75.5
R1333	7030003440	S.RES ERJ3GEYJ 102 V (1K)	T	64.1/74.4
R1334	7030000410	S.RES MCR10EZJH 1.8K (182)	B	59.5/73.3
R1335	7030000410	S.RES MCR10EZJH 1.8K (182)	B	59.5/75.3
R1336	7030007180	S.RES ERJ12YJ150U (15)	T	71.5/100
R1338	7030003520	S.RES ERJ3GEYJ 472 V (4.7K)	T	25.7/91.3
R1339	7030000100	S.RES MCR10EZJH 4.7 (4R7)	B	28.8/98.4
R1340	7030003440	S.RES ERJ3GEYJ 102 V (1K)	T	25.2/93.2
R1342	7030003560	S.RES ERJ3GEYJ 103 V (10K)	B	37.1/91.9
R1343	7030003440	S.RES ERJ3GEYJ 102 V (1K)	T	35.4/94
R1344	7030003560	S.RES ERJ3GEYJ 103 V (10K)	B	40.2/90.1
R1345	7030003440	S.RES ERJ3GEYJ 102 V (1K)	T	42.1/90.1
R1346	7030003560	S.RES ERJ3GEYJ 103 V (10K)	B	42.9/91.1
R1347	7030003440	S.RES ERJ3GEYJ 102 V (1K)	B	45.7/91.1
R1353	7030003520	S.RES ERJ3GEYJ 472 V (4.7K)	B	37.5/33.9
R1562	7030007180	S.RES ERJ12YJ150U (15)	B	42.9/113.9
R1750	7030003680	S.RES ERJ3GEYJ 104 V (100K)	T	25.3/115.6
R1751	7030003440	S.RES ERJ3GEYJ 102 V (1K)	T	29.4/121.3
R1800	7030003640	S.RES ERJ3GEYJ 473 V (47K)	B	8.7/20.7
R1801	7030003600	S.RES ERJ3GEYJ 223 V (22K)	B	4.2/25.9
R1802	7030003600	S.RES ERJ3GEYJ 223 V (22K)	T	13.7/24.8
R9007	7030003640	S.RES ERJ3GEYJ 473 V (47K)	T	83.2/9
R9008	7030003640	S.RES ERJ3GEYJ 473 V (47K)	T	73.5/2.7
R9009	7030003640	S.RES ERJ3GEYJ 473 V (47K)	T	93.2/11.9
R9010	7030003640	S.RES ERJ3GEYJ 473 V (47K)	B	20.6/20.5
R9301	7030005430	S.RES ERJ3GEYJ 3R3 V (3.3)	T	51.3/96.2
R9302	7030003390	S.RES ERJ3GEYJ 391 V (390)	T	49.3/95.4
R9303	7030005430	S.RES ERJ3GEYJ 3R3 V (3.3)	T	51.3/93.6
W11	7030008240	S.RES ERJ12Y0R00U	T	78.2/78.7
W296	7030003860	S.RES ERJ3GE JPW V	T	71/38.3
W340	7030003860	S.RES ERJ3GE JPW V	B	67.1/9.8
W550	7030003860	S.RES ERJ3GE JPW V	B	26/42.2
W840	7030003860	S.RES ERJ3GE JPW V	B	49.8/33.6
W841	7030003860	S.RES ERJ3GE JPW V	B	42.5/39.9
W1021	7030003860	S.RES ERJ3GE JPW V	T	66.8/60.6
W1029	7030008240	S.RES ERJ12Y0R00U	B	68.9/113
W1033	7030008240	S.RES ERJ12Y0R00U	B	21.6/53.3
W1083	7030003860	S.RES ERJ3GE JPW V	B	104.3/41.2
W1089	7030003860	S.RES ERJ3GE JPW V	T	80.7/114.1
W1670	7030003860	S.RES ERJ3GE JPW V	B	86/7.3
W1750	7030003860	S.RES ERJ3GE JPW V	B	88/5
C2	4030009530	S.CER C1608 CH 1H 030B-T	T	67.6/107.5
C3	4030009540	S.CER C1608 CH 1H 1R5B-T	T	65/107.2
C4	4030009540	S.CER C1608 CH 1H 1R5B-T	T	62.4/107.2
C5	4030009510	S.CER C1608 CH 1H 010B-T	T	59.7/107.2
C6	4030007090	S.CER C1608 CH 1H 470J-T	T	54.1/106.3
C7	4030006860	S.CER C1608 JB 1H 102K-T	T	54.3/108.2
C8	4030007090	S.CER C1608 CH 1H 470J-T	T	56.6/107.8
C9	4030007090	S.CER C1608 CH 1H 470J-T	T	58.8/103.2
C10	4030006860	S.CER C1608 JB 1H 102K-T	T	58.8/101.9
C11	4030007010	S.CER C1608 CH 1H 100D-T	T	58.8/100.6

[MAIN-D UNIT]

REF NO.	PARTS NO.	DESCRIPTION	M.	H/V LOCATION
C12	4030009910	S.CER C1608 CH 1H 040B-T	T	54.4/104.4
C13	4030007090	S.CER C1608 CH 1H 470J-T	T	58.8/99.3
C14	4030007010	S.CER C1608 CH 1H 100D-T	T	58.8/98
C15	4030006860	S.CER C1608 JB 1H 102K-T	T	58.8/96.7
C23	4030006860	S.CER C1608 JB 1H 102K-T	T	48.4/79.5
C70	4030006860	S.CER C1608 JB 1H 102K-T	T	39.9/73.6
C72	4030007090	S.CER C1608 CH 1H 470J-T	T	42.5/73.6
C74	4030007090	S.CER C1608 CH 1H 470J-T	T	43/79.4
C75	4030009500	S.CER C1608 CH 1H 0R5B-T	T	45.5/79.5
C76	4030006860	S.CER C1608 JB 1H 102K-T	T	50.3/78
C77	4030007090	S.CER C1608 CH 1H 470J-T	T	50.3/76.7
C78	4030006860	S.CER C1608 JB 1H 102K-T	T	50.2/75.2
C79	4030009910	S.CER C1608 CH 1H 040B-T	T	50.2/73.3
C81	4030009550	S.CER C1608 CH 1H 2R5B-T	T	41/68.8
C82	4030009910	S.CER C1608 CH 1H 040B-T	T	42.3/66.1
C131	4030006860	S.CER C1608 JB 1H 102K-T	T	37.9/56.5
C132	4030010760	S.CER C1608 CH 1H 331J-T	T	43.3/53.8
C133	4030006860	S.CER C1608 JB 1H 102K-T	T	43.9/57.7
C134	4030011600	S.CER C1608 JB 1E 104K-T	T	43.7/56.4
C136	4030006860	S.CER C1608 JB 1H 102K-T	T	43.3/52.5
C137	4030006900	S.CER C1608 JB 1H 103K-T	T	43.3/51.2
C138	4030011600	S.CER C1608 JB 1E 104K-T	T	43.3/49.9
C140	4030006860	S.CER C1608 JB 1H 102K-T	T	37.5/54.5
C207	4030011600	S.CER C1608 JB 1E 104K-T	B	71.1/3.8
C271	4030011600	S.CER C1608 JB 1E 104K-T	T	84.6/36.5
C272	4550006250	S.TAN TEESVA 1A 106M8R	T	85.9/31.6
C273	4030006900	S.CER C1608 JB 1H 103K-T	T	85.8/36.5
C274	4030006900	S.CER C1608 JB 1H 103K-T	T	81.2/37.6
C275	4030006900	S.CER C1608 JB 1H 103K-T	T	80/37.6
C276	4030006900	S.CER C1608 JB 1H 103K-T	T	78.5/33.9
C278	4030011600	S.CER C1608 JB 1E 104K-T	T	78.5/36.6
C281	4030006860	S.CER C1608 JB 1H 102K-T	T	81.7/28
C283	4030011600	S.CER C1608 JB 1E 104K-T	T	75.7/23.3
C287	4030006900	S.CER C1608 JB 1H 103K-T	T	65.2/36.4
C288	4030006860	S.CER C1608 JB 1H 102K-T	T	68.3/41.7
C295	4030006900	S.CER C1608 JB 1H 103K-T	T	63.9/43.1
C296	4030011600	S.CER C1608 JB 1E 104K-T	T	58.1/39.9
C297	4030006900	S.CER C1608 JB 1H 103K-T	T	76.9/44.4
C341	4030006860	S.CER C1608 JB 1H 102K-T	T	91/27.7
C343	4030011600	S.CER C1608 JB 1E 104K-T	T	101/30.2
C346	4030011600	S.CER C1608 JB 1E 104K-T	T	102.4/25.9
C347	4510008490	S.ELE EEE1CS100SR	T	104.8/28.8
C349	4030011810	S.CER C1608 JB 1A 224K-T	T	91/30
C400	4030006900	S.CER C1608 JB 1H 103K-T	B	24.5/58.9
C402	4030006900	S.CER C1608 JB 1H 103K-T	B	23.7/69.3
C403	4030011810	S.CER C1608 JB 1A 224K-T	B	20.5/68.5
C404	4030007010	S.CER C1608 CH 1H 100D-T	B	25.2/71.3
C405	4030006860	S.CER C1608 JB 1H 102K-T	B	25.6/72.5
C406	4550000270	S.TAN TEESVA 1E 474M8R	B	15.8/74.9
C408	4030008880	S.CER C1608 JB 1H 223K-T	B	21.4/70.9
C409	4030008900	S.CER C1608 JB 1H 333K-T	B	19.9/76.1
C410	4030007090	S.CER C1608 CH 1H 470J-T	B	17.3/77.5
C414	4030007090	S.CER C1608 CH 1H 470J-T	B	26.5/57.7
C416	4030007010	S.CER C1608 CH 1H 100D-T	T	11.4/57.7
C417	4030011600	S.CER C1608 JB 1E 104K-T	T	11.4/59.1
C418	4030006880	S.CER C1608 JB 1H 472K-T	T	24.9/55.2
C419	4030012600	S.CER C2012 JB 1A 105M-T	T	14/50.4
C420	4030006880	S.CER C1608 JB 1H 472K-T	B	19.4/60.5
C421	4030007010	S.CER C1608 CH 1H 100D-T	T	19.7/55
C422	4030006880	S.CER C1608 JB 1H 472K-T	T	20.4/53
C423	4030007010	S.CER C1608 CH 1H 100D-T	T	19.5/49.7
C424	4030007090	S.CER C1608 CH 1H 470J-T	B	29.8/69.9
C425	4030007090	S.CER C1608 CH 1H 470J-T	B	33.6/62.2
C426	4030007090	S.CER C1608 CH 1H 470J-T	B	27.1/60.4
C427	4030007090	S.CER C1608 CH 1H 470J-T	B	31/62.6
C429	4030007090	S.CER C1608 CH 1H 470J-T	B	16.5/67.6
C430	4030007090	S.CER C1608 CH 1H 470J-T	T	20.1/61.5
C431	4030007090	S.CER C1608 CH 1H 470J-T	B	18.6/57.5
C432	4030007090	S.CER C1608 CH 1H 470J-T	T	26.2/56.8
C433	4030006850	S.CER C1608 JB 1H 471K-T	B	31.8/56
C435	4030007090	S.CER C1608 CH 1H 470J-T	T	27.5/57.7
C436	4030007090	S.CER C1608 CH 1H 470J-T	T	23.7/67.1
C437	4030007010	S.CER C1608 CH 1H 100D-T	T	26.7/69.2
C470	4030006850	S.CER C1608 JB 1H 471K-T	T	17.4/73.7
C471	4550006770	S.TAN TEESVD2 1C 476M-12R	T	16.6/78.5
C472	4030012600	S.CER C2012 JB 1A 105M-T	T	14.8/65.6
C473	4030006850	S.CER C1608 JB 1H 471K-T	T	14.8/66.9
C474	4030011600	S.CER C1608 JB 1E 104K-T	T	18.5/66.4
C475	4030006860			

[MAIN-D UNIT]

REF NO.	PARTS NO.	DESCRIPTION	M.	H/V LOCATION
C551	4030007030	S.CER C1608 CH 1H 150J-T	B	19.2/38.9
C552	4030006860	S.CER C1608 JB 1H 102K-T	B	21.1/38.9
C553	4030007030	S.CER C1608 CH 1H 150J-T	B	17.4/29.6
C554	4030007090	S.CER C1608 CH 1H 470J-T	B	18.2/35.7
C555	4030011600	S.CER C1608 JB 1E 104K-T	B	13.2/40.3
C556	4030007090	S.CER C1608 CH 1H 470J-T	B	26.7/40.2
C558	4030007090	S.CER C1608 CH 1H 470J-T	B	13.2/41.6
C561	4030007090	S.CER C1608 CH 1H 470J-T	B	27/20.5
C562	4030007090	S.CER C1608 CH 1H 470J-T	B	12.7/27.5
C564	4550000270	S.TAN TEESVA 1E 474M8R	B	5/39.2
C567	4550000520	S.TAN TEESVA 1V 683M8R	B	17.5/40.4
C569	4030006860	S.CER C1608 JB 1H 102K-T	B	17.9/43.8
C575	4030006880	S.CER C1608 JB 1H 472K-T	T	18.2/49.7
C582	4030007090	S.CER C1608 CH 1H 470J-T	B	7.1/30.3
C583	4030007090	S.CER C1608 CH 1H 470J-T	B	8.4/30.3
C584	4030007090	S.CER C1608 CH 1H 470J-T	B	4.3/28.2
C585	4030007090	S.CER C1608 CH 1H 470J-T	B	25.5/20.5
C586	4030007090	S.CER C1608 CH 1H 470J-T	B	28.3/51.4
C587	4030007090	S.CER C1608 CH 1H 470J-T	B	26.8/44.1
C632	4030007030	S.CER C1608 CH 1H 150J-T	T	15.9/34.8
C638	4030006860	S.CER C1608 JB 1H 102K-T	T	20.3/34.7
C639	4030007050	S.CER C1608 CH 1H 220J-T	T	21.7/31.5
C640	4030007050	S.CER C1608 CH 1H 220J-T	T	23.8/30.9
C641	4030009510	S.CER C1608 CH 1H 010B-T	T	23.9/29.6
C642	4550006250	S.TAN TEESVA 1A 106M8R	T	22.9/39.2
C643	4030011600	S.CER C1608 JB 1E 104K-T	T	20.6/37.6
C644	4030006860	S.CER C1608 JB 1H 102K-T	T	20.6/38.9
C645	4030007010	S.CER C1608 CH 1H 100D-T	T	26.7/32.2
C646	4030011600	S.CER C1608 JB 1E 104K-T	T	30.9/30.2
C647	4030006860	S.CER C1608 JB 1H 102K-T	T	25.8/30.2
C648	4030007090	S.CER C1608 CH 1H 470J-T	T	28.6/33
C649	4030007090	S.CER C1608 CH 1H 470J-T	T	28.6/35.6
C650	4030007090	S.CER C1608 CH 1H 470J-T	B	27.9/33.1
C651	4030007050	S.CER C1608 CH 1H 220J-T	B	23/28.8
C652	4030006860	S.CER C1608 JB 1H 102K-T	B	26.3/27.6
C653	4030007020	S.CER C1608 CH 1H 120J-T	B	20.6/28
C654	4030007020	S.CER C1608 CH 1H 120J-T	B	19/29.6
C655	4030012600	S.CER C2012 JB 1A 105M-T	T	32/32.5
C656	4030006850	S.CER C1608 JB 1H 471K-T	T	33.9/35.5
C657	4550006770	S.TAN TEESVD2 1C 476M-12R	T	31.8/40.6
C658	4030007090	S.CER C1608 CH 1H 470J-T	T	33.9/34.2
C659	4030009530	S.CER C1608 CH 1H 030B-T	B	21.4/32
C661	4030007090	S.CER C1608 CH 1H 470J-T	T	3.5/23.2
C662	4550006250	S.TAN TEESVA 1A 106M8R	T	5.7/26.7
C710	4030006850	S.CER C1608 JB 1H 471K-T	T	36.4/59.8
C711	4030007090	S.CER C1608 CH 1H 470J-T	T	38.2/66.6
C712	4030006850	S.CER C1608 JB 1H 471K-T	T	38.4/79.6
C713	4030009520	S.CER C1608 CH 1H 020B-T	B	38.6/68.2
C714	4030009510	S.CER C1608 CH 1H 010B-T	B	35.3/68.7
C715	4030009520	S.CER C1608 CH 1H 020B-T	B	38.6/69.5
C716	4030011770	S.CER C1608 CH 1H 060B-T	B	36.2/71.4
C718	4030007090	S.CER C1608 CH 1H 470J-T	B	34/75.9
C719	4030007030	S.CER C1608 CH 1H 150J-T	B	38.6/76.5
C720	4030006860	S.CER C1608 JB 1H 102K-T	B	37.6/78.1
C721	4030007090	S.CER C1608 CH 1H 470J-T	T	33.1/55.2
C722	4030007090	S.CER C1608 CH 1H 470J-T	B	38.6/64.9
C770	4030011770	S.CER C1608 CH 1H 060B-T	B	32.3/37.3
C772	4030006860	S.CER C1608 JB 1H 102K-T	B	32.6/33.2
C773	4030006860	S.CER C1608 JB 1H 102K-T	B	34.4/48.8
C774	4030007020	S.CER C1608 CH 1H 120J-T	B	31.8/53.9
C775	4030009530	S.CER C1608 CH 1H 030B-T	B	31/52
C776	4030007020	S.CER C1608 CH 1H 120J-T	B	28.2/50.1
C777	4030006860	S.CER C1608 JB 1H 102K-T	B	29/47.5
C778	4030007090	S.CER C1608 CH 1H 470J-T	T	28.6/41.2
C779	4030006850	S.CER C1608 JB 1H 471K-T	T	24.6/41.5
C780	4030007090	S.CER C1608 CH 1H 470J-T	B	35.7/51.5
C830	4550006080	S.TAN TEESVB2 1C 106M8R	B	36/22.4
C831	4030011600	S.CER C1608 JB 1E 104K-T	B	33.7/21.4
C832	4030011600	S.CER C1608 JB 1E 104K-T	B	38.8/22.8
C833	4550006250	S.TAN TEESVA 1A 106M8R	B	40.5/22.8
C834	4030011600	S.CER C1608 JB 1E 104K-T	B	63/37
C835	4030011600	S.CER C1608 JB 1E 104K-T	B	52.5/30.5
C836	4550006250	S.TAN TEESVA 1A 106M8R	B	54.5/31.3
C837	4030007130	S.CER C1608 CH 1H 101J-T	B	56/37.5
C838	4030007130	S.CER C1608 CH 1H 101J-T	B	57.9/27.1
C839	4030007030	S.CER C1608 CH 1H 150J-T	B	64.4/37
C840	4030007030	S.CER C1608 CH 1H 150J-T	B	66/33.3
C841	4030007030	S.CER C1608 CH 1H 150J-T	B	49.8/36.2
C880	4030009910	S.CER C1608 CH 1H 040B-T	T	51.5/46
C881	4030009510	S.CER C1608 CH 1H 010B-T	T	49.6/46.8
C882	4030009510	S.CER C1608 CH 1H 010B-T	T	46.5/52.6
C883	4030009910	S.CER C1608 CH 1H 040B-T	T	46.5/55.2
C891	4030006850	S.CER C1608 JB 1H 471K-T	B	54.2/44.9
C893	4030007030	S.CER C1608 CH 1H 150J-T	B	45.2/37.4
C894	4030007030	S.CER C1608 CH 1H 150J-T	B	43.1/36.3
C895	4030007030	S.CER C1608 CH 1H 150J-T	B	51.1/36.2
C896	4030007020	S.CER C1608 CH 1H 120J-T	B	42.8/45.2
C897	4030009530	S.CER C1608 CH 1H 030B-T	B	40.9/46.3
C898	4030007020	S.CER C1608 CH 1H 120J-T	B	40.1/48.2
C899	4030006850	S.CER C1608 JB 1H 471K-T	B	35/41.3
C900	4030007090	S.CER C1608 CH 1H 470J-T	B	37.5/41.4
C901	4030006860	S.CER C1608 JB 1H 102K-T	B	53.9/42.4
C902	4030007090	S.CER C1608 CH 1H 470J-T	B	55.2/42.4
C904	4030007020	S.CER C1608 CH 1H 120J-T	T	49.7/57
C905	4030009530	S.CER C1608 CH 1H 030B-T	T	47.8/57.8
C906	4030007050	S.CER C1608 CH 1H 220J-T	T	49.6/59.6
C907	4030009510	S.CER C1608 CH 1H 010B-T	T	47.8/60.4
C909	4030011600	S.CER C1608 JB 1E 104K-T	B	56.5/42.4
C910	4030007090	S.CER C1608 CH 1H 470J-T	B	61.8/38.8
C912	4030009910	S.CER C1608 CH 1H 040B-T	B	38.8/38.6
C913	4030007010	S.CER C1608 CH 1H 100D-T	B	33.1/39.4
C961	4030006850	S.CER C1608 JB 1H 471K-T	B	43.3/59.9
C962	4030009510	S.CER C1608 CH 1H 010B-T	B	52.4/58.6
C963	4030009530	S.CER C1608 CH 1H 030B-T	B	48.8/59.2

[MAIN-D UNIT]

REF NO.	PARTS NO.	DESCRIPTION	M.	H/V LOCATION
C965	4030006850	S.CER C1608 JB 1H 471K-T	B	48.7/62.5
C969	4030006860	S.CER C1608 JB 1H 102K-T	B	57.4/59.1
C970	4030007090	S.CER C1608 CH 1H 470J-T	B	54.7/59.9
C972	4030009510	S.CER C1608 CH 1H 010B-T	B	58.1/62.7
C974	4030006860	S.CER C1608 JB 1H 102K-T	B	53.9/64.6
C977	4030009540	S.CER C1608 CH 1H 1R5B-T	B	56.5/64.6
C978	4030006850	S.CER C1608 JB 1H 471K-T	B	53.7/66.5
C1022	4030006850	S.CER C1608 JB 1H 471K-T	T	65.5/68
C1023	4030006880	S.CER C1608 JB 1H 472K-T	T	70.7/58
C1024	4030006860	S.CER C1608 JB 1H 102K-T	T	68.1/58
C1025	4030007090	S.CER C1608 CH 1H 470J-T	T	69.4/58
C1026	4030006850	S.CER C1608 JB 1H 471K-T	T	72.8/51.2
C1029	4030011770	S.CER C1608 CH 1H 060B-T	B	92.2/43.1
C1030	4030009920	S.CER C1608 CH 1H 050B-T	B	97/43.1
C1031	4030009530	S.CER C1608 CH 1H 030B-T	B	93/41
C1081	4030007090	S.CER C1608 CH 1H 470J-T	B	97/44.7
C1082	4030007130	S.CER C1608 CH 1H 101J-T	B	97/46.3
C1083	4030007010	S.CER C1608 CH 1H 100D-T	B	96.2/49.9
C1088	4030006860	S.CER C1608 JB 1H 102K-T	T	98.7/51.8
C1090	4030006860	S.CER C1608 JB 1H 102K-T	B	82.8/65.7
C1091	4550003220	S.TAN TEESVA 1E 105M8R	B	84/69.9
C1092	4030006850	S.CER C1608 JB 1H 471K-T	B	67.6/67.6
C1094	4030009520	S.CER C1608 CH 1H 020B-T	B	101.9/38
C1095	4030009530	S.CER C1608 CH 1H 030B-T	B	102.7/39.9
C1096	4030007000	S.CER C1608 CH 1H 090D-T	B	105.1/39.2
C1098	4030006980	S.CER C1608 CH 1H 070D-T	B	107.7/41.9
C1099	4030007130	S.CER C1608 CH 1H 101J-T	T	104.6/45.3
C1100	4030007010	S.CER C1608 CH 1H 100D-T	B	106.5/46.1
C1101	4030007090	S.CER C1608 CH 1H 470J-T	B	105.1/46.1
C1102	4030006900	S.CER C1608 JB 1H 103K-T	T	96.6/49.6
C1105	4030007010	S.CER C1608 CH 1H 100D-T	T	112.1/48.9
C1106	4030007090	S.CER C1608 CH 1H 470J-T	T	110.8/48.9
C1107	4030007130	S.CER C1608 CH 1H 101J-T	T	109.5/48.9
C1108	4030009920	S.CER C1608 CH 1H 050B-T	B	112.1/37.6
C1110	4030011770	S.CER C1608 CH 1H 060B-T	B	110.1/42.7
C1113	4030007090	S.CER C1608 CH 1H 470J-T	B	100.6/47.4
C1114	4030007090	S.CER C1608 CH 1H 470J-T	T	77.5/60.6
C1115	4030011600	S.CER C1608 JB 1E 104K-T	T	77.5/61.9
C1116	4030006850	S.CER C1608 JB 1H 471K-T	B	101.9/47.4
C1118	4030007090	S.CER C1608 CH 1H 470J-T	B	79.2/109.5
C1120	4030011600	S.CER C1608 JB 1E 104K-T	T	95.3/49.6
C1121	4030007090	S.CER C1608 CH 1H 470J-T	T	77.8/124.8
C1123	4030007090	S.CER C1608 CH 1H 470J-T	T	82.8/113.7
C1161	4030006860	S.CER C1608 JB 1H 102K-T	B	112.9/41.6
C1167	4030006850	S.CER C1608 JB 1H 471K-T	T	113.2/65.9
C1168	4030007090	S.CER C1608 CH 1H 470J-T	T	113.1/67.2
C1172	4030007090	S.CER C1608 CH 1H 470J-T	T	120.8/87.7
C1173	4030006850	S.CER C1608 JB 1H 471K-T	T	122/87.7
C1174	4030006860	S.CER C1608 JB 1H 102K-T	T	119.4/87.7
C1176	4510008500	S.ELE EEE1CA101WP	T	93.7/91.8
C1186	4030006860	S.CER C1608 JB 1H 102K-T	T	109.1/91.9
C1187	4030007090	S.CER C1608 CH 1H 470J-T	T	110.4/91.9
C1188	4030006850	S.CER C1608 JB 1H 471K-T	T	111.7/91.9
C1189	4030009510	S.CER C1608 CH 1H 010B-T	T	77.8/107.8
C1191	4030007090	S.CER C1608 CH 1H 470J-T	T	86.7/122
C1192	4030007090	S.CER C1608 CH 1H 470J-T	B	91.2/125.9
C1193	4030006850	S.CER C1608 JB 1H 471K-T	B	86.4/119.3
C1196	4030006860	S.CER C1608 JB 1H 102K-T	T	97.3/107.6
C1198	4030011030	S.CER GRM31M4C2H1R5CY21L (GRM42-6 CK)	T	90.9/116.3
C1199	4030019420	S.CER GRM31A7U2J102JW31D	T	117.5/121.2
C1200	4030000810	S.CER GRM2164C1HR50CD01D (GRM40 CK)	B	120.8/124.4
C1201	4030006860	S.CER C1608 JB 1H 102K-T	T	111.1/120.2
C1204	4030011040	S.CER GRM31M4C2H2R0CY21L (GRM42-6 CK)	T	116.1/100.4
C1206	4030009500	S.CER C1608 CH 1H 0R5B-T	B	
C1207	4030000810	S.CER GRM2164C1HR50CD01D (GRM40 CK)	B	
C1250	4030007010	S.CER C1608 CH 1H 100D-T	T	69.1/121.2
C1251	4030007010	S.CER C1608 CH 1H 100D-T	B	65.5/125.1
C1252	4030006900	S.CER C1608 JB 1H 103K-T	B	73.4/122.8
C1253	4030006850	S.CER C1608 JB 1H 471K-T	B	75/116.4
C1255	4030006850	S.CER C1608 JB 1H 471K-T	B	62.7/127.1
C1256	4030012610	S.CER C2012 JB 1C 474K-T	B	72.8/128.7
C1260	403			

[MAIN-D UNIT]

REF NO.	PARTS NO.	DESCRIPTION	M.	H/V LOCATION
C1357	4030011600	S.CER C1608 JB 1E 104K-T	B	42.9/97.3
C1361	4030007090	S.CER C1608 CH 1H 470J-T	T	43.5/86.2
C1366	4030006860	S.CER C1608 JB 1H 102K-T	B	27.4/91.7
C1367	4030007090	S.CER C1608 CH 1H 470J-T	B	57.8/65.4
C1368	4030007090	S.CER C1608 CH 1H 470J-T	T	35.4/98.8
C1369	4030007090	S.CER C1608 CH 1H 470J-T	T	24.9/97.2
C1370	4030007090	S.CER C1608 CH 1H 470J-T	B	50.4/73.7
C1371	4030006860	S.CER C1608 JB 1H 102K-T	B	53.1/85.3
C1372	4030007090	S.CER C1608 CH 1H 470J-T	B	54.5/107.3
C1373	4030007090	S.CER C1608 CH 1H 470J-T	T	61.9/109.1
C1374	4030007090	S.CER C1608 CH 1H 470J-T	B	62.2/115.4
C1507	4030007090	S.CER C1608 CH 1H 470J-T	B	30.2/23.5
C1509	4030007090	S.CER C1608 CH 1H 470J-T	T	17.3/23.4
C1510	4030007090	S.CER C1608 CH 1H 470J-T	B	51.3/108.1
C1511	4030007090	S.CER C1608 CH 1H 470J-T	B	80.6/5.7
C1512	4030007090	S.CER C1608 CH 1H 470J-T	B	79.5/4.1
C1514	4030007090	S.CER C1608 CH 1H 470J-T	B	81/7.9
C1515	4030007090	S.CER C1608 CH 1H 470J-T	B	83.7/6.8
C1516	4030007090	S.CER C1608 CH 1H 470J-T	T	88.3/10.2
C1517	4030007090	S.CER C1608 CH 1H 470J-T	B	89.5/6.9
C1518	4030007090	S.CER C1608 CH 1H 470J-T	B	91/6.9
C1519	4030007090	S.CER C1608 CH 1H 470J-T	T	93.2/9.3
C1520	4030007090	S.CER C1608 CH 1H 470J-T	T	97.7/12
C1521	4030007090	S.CER C1608 CH 1H 470J-T	T	93.4/2.3
C1522	4030007090	S.CER C1608 CH 1H 470J-T	T	92.1/1.9
C1523	4030007090	S.CER C1608 CH 1H 470J-T	B	91.7/4.1
C1524	4030007090	S.CER C1608 CH 1H 470J-T	T	89.4/2.3
C1525	4030007090	S.CER C1608 CH 1H 470J-T	B	84.4/3.4
C1600	4030007090	S.CER C1608 CH 1H 470J-T	T	4.4/21.6
C1601	4030007090	S.CER C1608 CH 1H 470J-T	B	3.3/20
C1602	4030007090	S.CER C1608 CH 1H 470J-T	T	20.9/15.5
C1603	4030007090	S.CER C1608 CH 1H 470J-T	T	22.4/15.5
C1751	4030006850	S.CER C1608 JB 1H 103K-T	T	54.5/123.7
C1752	4030006900	S.CER C1608 JB 1H 103K-T	T	28.6/119.3
C1753	4030006860	S.CER C1608 JB 1H 102K-T	T	24.2/120.5
C1754	4510008520	S.ELE EEE1CA470SP	T	31.8/127.5
C1755	4030007090	S.CER C1608 CH 1H 470J-T	T	25.8/113.2
C1800	4030007090	S.CER C1608 CH 1H 470J-T	B	24/20.5
C1801	4030006900	S.CER C1608 JB 1H 103K-T	T	42/103.6
C1802	4030006900	S.CER C1608 JB 1H 103K-T	T	42.5/112.3
C1803	4030006850	S.CER C1608 JB 1H 471K-T	T	28.6/104.1
C1804	4030006850	S.CER C1608 JB 1H 471K-T	T	32.4/103.3
C1805	4030006850	S.CER C1608 JB 1H 471K-T	T	27.8/101.5
C1806	4030006850	S.CER C1608 JB 1H 471K-T	T	32.4/99.7
C1807	4030006850	S.CER C1608 JB 1H 471K-T	T	42/101.4
C9301	4030007140	S.CER C1608 CH 1H 121J-T	T	38.8/54.4
J1602	6510021970	S.CON AXN330C130P	T	26.2/21.8
J1750	6510009351	CON B2B-ZR(LF)(SN)		
J1800	6510021721	S.CON 30FLT-SM2-TB(LF)(SN)2	T	44/107.5
J1801	6510021721	S.CON 30FLT-SM2-TB(LF)(SN)2	T	87/5.8
S1601	2260002590	SWI SKHHLU		
W1164	7120000490	JUM ERD25T0		
W1330	8900011960	CAB OPC-1216		
W1601	8900011960	CAB OPC-1216		
EP401	6910012350	S.BEA MMZ1608Y 102BT	B	16.5/70.2
EP403	6910012350	S.BEA MMZ1608Y 102BT	B	20.8/63
EP470	6910012350	S.BEA MMZ1608Y 102BT	T	16.4/68.2
EP551	6910012350	S.BEA MMZ1608Y 102BT	B	35.1/26.6
EP552	6910012350	S.BEA MMZ1608Y 102BT	B	27.1/48.7

[LOGIC-D UNIT]

REF NO.	PARTS NO.	DESCRIPTION	M.	H/V LOCATION
IC50	1140010091	S.IC UPD70F3102AGJ-33-8EU-A	T	61.6/60
IC51	1130007281	S.IC TC7S32FU(TE85R,F)	T	45.3/71.2
IC52	1110005731	S.IC S-80928CNMC-G8Y-G	B	54.3/48.2
IC53	1130007111	S.IC TC7W04FU(TE12L,F)	T	44.6/68.1
IC54	1140008650	S.IC HN58X2464TI 0	T	45.2/62.4
IC55	1130010630	S.IC SN74AHC541PWR	B	43/42.3
IC56	1190001340	S.IC M62334FP 600C	T	59.8/43.1
IC57	1190001340	S.IC M62334FP 600C	T	68.2/43.2
IC58	1110002861	S.IC TA75S393F(TE85R,F)	B	4/54.1
IC100	1130010620	S.IC SN74AHC541PWR	B	109.6/55.6
IC101	1130007111	S.IC TC7W04FU(TE12L,F)	T	106.1/62.2
IC102	1130008711	S.IC TC7SET04FU(T5L,JF)	T	110.9/61.3
IC103	1130010630	S.IC SN74AHC541PWR	T	108.9/55.3
IC105	1130010581	S.IC UPD43256BGW-70LL-9JL-A	T	108.7/43.2
IC150	1110005430	S.IC CMX589AD5	T	98.2/17.4
IC151	1130008711	S.IC TC7SET04FU(T5L,JF)	T	89.1/22.9
IC152	1130004201	S.IC TC4S66F(TE85R,F)	B	103.9/13.5
IC153	1130004201	S.IC TC4S66F(TE85R,F)	B	100.9/19
IC200	1120002871	S.IC XCS20XL-4TQG144I 0	T	32.1/24.9
IC201	1130006891	S.IC TC7S04FU(TE85R,F)	B	36.5/60.2
IC202	1130008361	S.IC TC7SHU04FU(TE85L,JF)	T	25.6/58.9
IC203	1130008361	S.IC TC7SHU04FU(TE85L,JF)	B	35.4/37.1
IC300	1110005290	S.IC NJM2115V-TE1-#ZZB	T	58.6/25.4
IC301	1110005290	S.IC NJM2115V-TE1-#ZZB	T	57.2/36.5
IC302	1110005290	S.IC NJM2115V-TE1-#ZZB	T	68.4/26.7
IC350	1130006221	S.IC TC4W53FU(TE12L,F)	T	84.4/25.1
IC351	1110003780	S.IC NJM2902V-TE1-#ZZB	T	90.6/29.1
IC352	1130006221	S.IC TC4W53FU(TE12L,F)	T	81.2/29.6
IC353	1130008561	S.IC TC75S51F(TE85L,F)	T	100.8/29.8
IC354	1130006221	S.IC TC4W53FU(TE12L,F)	T	104.8/24.8
IC355	1110002751	S.IC TA75S01F(TE85R,F)	B	87.5/23.5
IC500	1180001071	S.IC TA7805F(TE16L,Q)	T	86.3/79.9
IC502	1180002391	S.REG S-812C33AMC-C2N-G	T	92.8/72
IC503	1110005440	S.IC NJM2374AM-TE1	T	110.5/76.6
IC504	1180002391	S.REG S-812C33AMC-C2N-G	T	64.3/80.8
IC550	1130012051	S.IC FT232BL	T	11.8/67.4
IC551	1130009570	S.IC BR93LC46F-WE2	T	12.8/87.2
IC553	1130007281	S.IC TC7S32FU(TE85R,F)	B	10.4/55
IC901	1120002960	S.IC TC74AC541FT(EL)	T	33.1/54.4
IC902	1120002830	S.IC NJM2125F-TE1-#FZZB	B	34.5/10.9
Q50	1530002280	S.TRA 2SC4081 T106 S	B	8.3/49.6
Q51	1510000771	S.TRA 2SA1586-GR(TE85L,F)	B	5.7/49.9
Q52	1590000430	S.TRA DTC144EUA T106	B	7.9/53.6
Q100	1590000430	S.TRA DTC144EUA T106	T	79/32.4
Q101	1590001980	S.TRA XP4315(TX)	B	42/13.9
Q102	1590001980	S.TRA XP4315(TX)	B	39.5/13.9
Q150	1590001400	S.TRA XP1214(TX)	T	91.3/18.8
Q151	1590001400	S.TRA XP1214(TX)	B	97.2/12.4
Q153	1590000430	S.TRA DTC144EUA T106	B	76.3/30.3
Q154	1590000430	S.TRA DTC144EUA T106	B	106.3/18.5
Q155	1590000430	S.TRA DTC144EUA T106	B	74.5/26.6
Q156	1590000430	S.TRA DTC144EUA T106	B	72/28.4
Q400	1590000430	S.TRA DTC144EUA T106	B	73.3/20.4
Q500	1520000201	S.TRA 2SB798-T2-AZ DK	T	80.3/69.6
Q501	1590000430	S.TRA DTC144EUA T106	T	76.6/72.1
Q502	1530002280	S.TRA 2SC4081 T106 S	T	67.9/78.3
Q503	1520000201	S.TRA 2SB798-T2-AZ DK	B	74.3/74.5
Q504	1530002280	S.TRA 2SC4081 T106 S	B	70/80.5
Q550	1590000430	S.TRA DTC144EUA T106	B	15.5/55.9
D50	1790001240	S.DIO MA2S728-(TX)	T	59.3/72.6
D51	1750000550	S.DIO 1SS355 TE-17	B	1.4/54.1
D52	1750000550	S.DIO 1SS355 TE-17	B	50.1/66.5
D53	1750000550	S.DIO 1SS355 TE-17	T	46.6/65.5
D54	1750000550	S.DIO 1SS355 TE-17	B	48.1/72.7
D350	1720000361	S.DIO HSU88TRF-E	T	85.3/30.3
D351	1720000361	S.DIO HSU88TRF-E	T	87.7/25.4
D501	1790000671	S.DIO SB07-03C-TB-E	T	72.2/75.6
D502	1750000550	S.DIO 1SS355 TE-17	T	71.2/78.3
D503	1790000671	S.DIO SB07-03C-TB-E	T	99.4/71.9
D504	1790000671	S.DIO SB07-03C-TB-E	B	110.2/80.1
X50	6050011290	S.XTA CR-715 SX-1302 6 MHz	T	44.3/53.2
X200	6050011240	S.XTA CR-708 DSX631S 16.384 MHz	T	19/40.3
X201	6050011700	S.XTA CR-760 DSX531S 9.8304 MHz	T	37.2/39.3
X550	6050011290	S.XTA CR-715 SX-1302 6 MHz	T	3.4/61.5
L50	6200005741	S.COI ELJRE 47NGFA	T	65.2/73.6
L51	6200005741	S.COI ELJRE 47NGFA	T	48.4/52
L100	6200005741	S.COI ELJRE 47NGFA	B	111.3/62
L101	6200005741	S.COI ELJRE 47NGFA	B	111.3/63.3
L103	6200005741	S.COI ELJRE 47NGFA	B	108.5/33.6
L150	6200002041	S.COI NLV25T-101J	T	99.7/23
L210	6200005741	S.COI ELJRE 47NGFA	T	70.6/73.4
L211	6200005741	S.COI ELJRE 47NGFA	B	47.7/59.7
L214	6200005741	S.COI ELJRE 47NGFA	B	49/62.4
L420	6200003590	S.COI EXCCL3225U1	B	30.4/78.4
L421	6200003590	S.COI EXCCL3225U1	B	38.8/79.9
L500	6190001561	S.COI CDRH5D18NP-101NC	T	104.3/80
L501	6190001561	S.COI CDRH5D18NP-101NC	T	104.3/72.8
L510	6200003590	S.COI EXCCL3225U1	B	108.8/76.7
L550	6200002041	S.COI NLV25T-101J	T	11.2/74.3
L551	6200005741	S.COI ELJRE 47NGFA	T	11.1/77
L552	6200006991	S.COI ELJRE 56NGFA	B	14.6/61.8
R18	7030003640	S.RES ERJ3GEYJ 473 V (47K)	T	35.5/46.5
R50	7030003640	S.RES ERJ3GEYJ 473 V (47K)	B	44.4/75.8
R51	7030003620	S.RES ERJ3GEYJ 333 V (33K)	T	47.2/71
R53	7030003640	S.RES ERJ3GEYJ 473 V (47K)	T	48.5/68.4

M.=Mounted side (T: Mounted on the Top side, B: Mounted on the Bottom side) S.=Surface mount

[LOGIC-D UNIT]

REF NO.	PARTS NO.	DESCRIPTION	M.	H/V LOCATION
R54	7030003560	S.RES ERJ3GEYJ 103 V (10K)	T	15.5/50.4
R55	7030003640	S.RES ERJ3GEYJ 473 V (47K)	T	14.7/48.5
R57	7030003520	S.RES ERJ3GEYJ 472 V (4.7K)	B	3.7/49.9
R58	7030003680	S.RES ERJ3GEYJ 104 V (100K)	T	15.4/52.2
R59	7030003500	S.RES ERJ3GEYJ 332 V (3.3K)	B	2.4/49.9
R60	7030003570	S.RES ERJ3GEYJ 123 V (12K)	B	47.7/62.4
R61	7030003570	S.RES ERJ3GEYJ 123 V (12K)	B	45.8/62.4
R62	7030003620	S.RES ERJ3GEYJ 333 V (33K)	B	49.3/51.1
R63	7030003520	S.RES ERJ3GEYJ 472 V (4.7K)	B	53.9/50.5
R64	7030003320	S.RES ERJ3GEYJ 101 V (100)	B	61.5/45.7
R65	7030003320	S.RES ERJ3GEYJ 101 V (100)	B	62.8/45.7
R66	7030003320	S.RES ERJ3GEYJ 101 V (100)	T	72.5/41.1
R67	7030003320	S.RES ERJ3GEYJ 101 V (100)	T	72.5/43.8
R68	7030003600	S.RES ERJ3GEYJ 223 V (22K)	B	9.1/51.6
R69	7030003490	S.RES ERJ3GEYJ 272 V (2.7K)	T	8.2/52.7
R70	7030003620	S.RES ERJ3GEYJ 333 V (33K)	B	4.4/51.8
R71	7030003620	S.RES ERJ3GEYJ 333 V (33K)	B	4/56.5
R72	7030003620	S.RES ERJ3GEYJ 333 V (33K)	B	6.3/57.4
R73	7030003500	S.RES ERJ3GEYJ 332 V (3.3K)	B	7.1/55.6
R74	7030003640	S.RES ERJ3GEYJ 473 V (47K)	B	46.3/74.7
R75	7030003570	S.RES ERJ3GEYJ 123 V (12K)	B	48.1/75
R76	7030003510	S.RES ERJ3GEYJ 392 V (3.9K)	B	67.9/44.3
R78	7030003360	S.RES ERJ3GEYJ 221 V (220)	T	50.9/49.3
R79	7030003340	S.RES ERJ3GEYJ 151 V (150)	T	48.6/56.2
R100	7030003640	S.RES ERJ3GEYJ 473 V (47K)	T	76.5/32.2
R110	7030003370	S.RES ERJ3GEYJ 271 V (270)	B	52.3/14
R113	7030003370	S.RES ERJ3GEYJ 271 V (270)	B	42.1/11.9
R114	7030003420	S.RES ERJ3GEYJ 681 V (680)	B	39.5/11.9
R115	7030003640	S.RES ERJ3GEYJ 473 V (47K)	B	110.9/60.7
R116	7030003640	S.RES ERJ3GEYJ 473 V (47K)	B	106.3/63.8
R146	7030003640	S.RES ERJ3GEYJ 473 V (47K)	B	79.1/29.5
R148	7030003640	S.RES ERJ3GEYJ 473 V (47K)	B	105.5/15.9
R149	7030003320	S.RES ERJ3GEYJ 101 V (100)	T	88.4/20.2
R150	7030003640	S.RES ERJ3GEYJ 473 V (47K)	B	97.9/10.7
R151	7030003640	S.RES ERJ3GEYJ 473 V (47K)	B	97.9/15.7
R152	7030003640	S.RES ERJ3GEYJ 473 V (47K)	B	97.9/18.3
R153	7030003440	S.RES ERJ3GEYJ 102 V (1K)	B	97.9/20.9
R154	7030003640	S.RES ERJ3GEYJ 473 V (47K)	B	97.9/19.6
R155	7030003800	S.RES ERJ3GEYJ 105 V (1M)	T	92.4/21.3
R156	7030003640	S.RES ERJ3GEYJ 473 V (47K)	B	90.7/14.2
R157	7030003640	S.RES ERJ3GEYJ 473 V (47K)	B	95.3/14.8
R158	7030003750	S.RES ERJ3GEYJ 394 V (390K)	B	100.8/13.5
R159	7030009340	S.RES ERJ3GEYJ 275V (2.7M)	B	99.7/16.1
R199	7030003320	S.RES ERJ3GEYJ 101 V (100)	B	32.7/59.4
R200	7030003320	S.RES ERJ3GEYJ 101 V (100)	T	28.1/38
R201	7030003800	S.RES ERJ3GEYJ 105 V (1M)	T	22.4/38.8
R202	7030003520	S.RES ERJ3GEYJ 472 V (4.7K)	T	45.2/15.4
R203	7030003520	S.RES ERJ3GEYJ 472 V (4.7K)	T	31.6/11.8
R204	7030003640	S.RES ERJ3GEYJ 473 V (47K)	T	39/11.8
R205	7030003440	S.RES ERJ3GEYJ 102 V (1K)	B	24.3/29.2
R206	7030003440	S.RES ERJ3GEYJ 102 V (1K)	B	18.2/30.7
R207	7030003440	S.RES ERJ3GEYJ 102 V (1K)	T	18.9/32.1
R208	7030003320	S.RES ERJ3GEYJ 101 V (100)	B	34.8/40.8
R209	7030003800	S.RES ERJ3GEYJ 105 V (1M)	B	35.6/39
R210	7030003400	S.RES ERJ3GEYJ 471 V (470)	T	41.5/39.3
R211	7030003400	S.RES ERJ3GEYJ 471 V (470)	B	37.8/58
R250	7030005661	S.RES ERA3YED 203V (20K)	T	52.9/11.8
R251	7030005661	S.RES ERA3YED 203V (20K)	T	48.9/11.8
R252	7030005321	S.RES ERA3YED 103V (10K)	T	50.8/12.6
R253	7030005661	S.RES ERA3YED 203V (20K)	T	48.9/13.1
R254	7030005321	S.RES ERA3YED 103V (10K)	T	52.5/13.9
R255	7030005661	S.RES ERA3YED 203V (20K)	T	48.9/14.4
R256	7030005321	S.RES ERA3YED 103V (10K)	T	50.8/15.2
R257	7030005661	S.RES ERA3YED 203V (20K)	T	48.9/15.7
R258	7030005321	S.RES ERA3YED 103V (10K)	T	52.5/16.5
R259	7030005661	S.RES ERA3YED 203V (20K)	T	48.9/17
R260	7030005321	S.RES ERA3YED 103V (10K)	T	50.8/17.8
R261	7030005661	S.RES ERA3YED 203V (20K)	T	48.9/18.3
R262	7030005321	S.RES ERA3YED 103V (10K)	T	52.5/19.1
R263	7030005661	S.RES ERA3YED 203V (20K)	T	48.9/19.6
R264	7030005321	S.RES ERA3YED 103V (10K)	T	50.8/20.4
R265	7030005661	S.RES ERA3YED 203V (20K)	T	48.9/20.9
R266	7030005321	S.RES ERA3YED 103V (10K)	T	52.5/21.7
R267	7030005661	S.RES ERA3YED 203V (20K)	T	48.9/22.2
R268	7030005321	S.RES ERA3YED 103V (10K)	T	50.8/23
R269	7030005661	S.RES ERA3YED 203V (20K)	T	48.9/23.5
R270	7030005321	S.RES ERA3YED 103V (10K)	T	52.5/24.3
R271	7030005661	S.RES ERA3YED 203V (20K)	T	48.9/24.8
R272	7030005661	S.RES ERA3YED 203V (20K)	T	52.7/26.2
R273	7030005661	S.RES ERA3YED 203V (20K)	T	48.9/26.2
R274	7030005321	S.RES ERA3YED 103V (10K)	T	50.8/26.7
R275	7030005661	S.RES ERA3YED 203V (20K)	T	48.9/27.5
R276	7030005321	S.RES ERA3YED 103V (10K)	T	52.1/28.1
R277	7030005661	S.RES ERA3YED 203V (20K)	T	48.9/28.8
R278	7030005321	S.RES ERA3YED 103V (10K)	T	50.8/29.3
R279	7030005661	S.RES ERA3YED 203V (20K)	T	48.9/30.1
R280	7030005321	S.RES ERA3YED 103V (10K)	T	52.1/30.7
R281	7030005661	S.RES ERA3YED 203V (20K)	T	48.9/31.4
R282	7030005321	S.RES ERA3YED 103V (10K)	T	50.8/31.9
R283	7030005661	S.RES ERA3YED 203V (20K)	T	48.9/32.7
R284	7030005321	S.RES ERA3YED 103V (10K)	T	52.1/33.3
R285	7030005661	S.RES ERA3YED 203V (20K)	T	48.9/34
R286	7030005321	S.RES ERA3YED 103V (10K)	T	50.8/34.5
R287	7030005661	S.RES ERA3YED 203V (20K)	T	48.9/35.3
R288	7030005321	S.RES ERA3YED 103V (10K)	T	52.1/35.9
R289	7030005661	S.RES ERA3YED 203V (20K)	T	48.9/36.6
R290	7030005321	S.RES ERA3YED 103V (10K)	T	50.8/37.1
R291	7030005661	S.RES ERA3YED 203V (20K)	T	48.9/37.9
R292	7030005321	S.RES ERA3YED 103V (10K)	T	52.1/38.7
R293	7030005661	S.RES ERA3YED 203V (20K)	T	48.9/39.2
R300	7030003320	S.RES ERJ3GEYJ 101 V (100)	T	60.7/20.9
R301	7030003520	S.RES ERJ3GEYJ 472 V (4.7K)	T	56.4/28.1
R302	7030003530	S.RES ERJ3GEYJ 562 V (5.6K)	T	61.8/28.1
R303	7030003530	S.RES ERJ3GEYJ 562 V (5.6K)	T	63.7/25.4

[LOGIC-D UNIT]

REF NO.	PARTS NO.	DESCRIPTION	M.	H/V LOCATION
R304	7030003480	S.RES ERJ3GEYJ 222 V (2.2K)	T	67.4/17.7
R305	7030003480	S.RES ERJ3GEYJ 222 V (2.2K)	T	67.4/19
R306	7030003480	S.RES ERJ3GEYJ 222 V (2.2K)	T	63.7/22.8
R307	7030003480	S.RES ERJ3GEYJ 222 V (2.2K)	T	63.7/20.2
R308	7030003600	S.RES ERJ3GEYJ 223 V (22K)	T	64.2/18.1
R310	7030003320	S.RES ERJ3GEYJ 101 V (100)	T	59.3/32
R311	7030003520	S.RES ERJ3GEYJ 472 V (4.7K)	T	55/39.2
R312	7030003530	S.RES ERJ3GEYJ 562 V (5.6K)	T	60.4/39.2
R313	7030003530	S.RES ERJ3GEYJ 562 V (5.6K)	T	62.3/36.5
R314	7030003480	S.RES ERJ3GEYJ 222 V (2.2K)	T	68.1/34.4
R315	7030003480	S.RES ERJ3GEYJ 222 V (2.2K)	T	68.1/33.1
R316	7030003480	S.RES ERJ3GEYJ 222 V (2.2K)	T	65.5/37
R317	7030003480	S.RES ERJ3GEYJ 222 V (2.2K)	T	68.1/37
R318	7030003600	S.RES ERJ3GEYJ 223 V (22K)	T	67.3/31.8
R320	7030003320	S.RES ERJ3GEYJ 101 V (100)	B	61.5/24.3
R348	7030003320	S.RES ERJ3GEYJ 101 V (100)	B	101.4/30
R349	7030003320	S.RES ERJ3GEYJ 101 V (100)	T	77.5/26.4
R350	7030003320	S.RES ERJ3GEYJ 101 V (100)	T	80.1/27.2
R351	7030003730	S.RES ERJ3GEYJ 274 V (270K)	T	96.5/31
R352	7030004710	S.RES ERJ3GEYJ 475 V (4.7M)	T	98.4/30.4
R353	7030003730	S.RES ERJ3GEYJ 274 V (270K)	T	96.5/27.1
R354	7030004710	S.RES ERJ3GEYJ 475 V (4.7M)	T	98.4/27.8
R355	7030003680	S.RES ERJ3GEYJ 104 V (100K)	T	103.2/27.8
R356	7030003680	S.RES ERJ3GEYJ 104 V (100K)	B	84.1/28.7
R357	7030003680	S.RES ERJ3GEYJ 104 V (100K)	B	84.9/26.8
R358	7030003320	S.RES ERJ3GEYJ 101 V (100)	T	99.7/24.9
R359	7030003560	S.RES ERJ3GEYJ 103 V (10K)	B	84/20.3
R360	7030003560	S.RES ERJ3GEYJ 103 V (10K)	B	86.6/21.2
R361	7030003600	S.RES ERJ3GEYJ 223 V (22K)	B	87.9/25.9
R362	7030003560	S.RES ERJ3GEYJ 103 V (10K)	B	90/25.1
R363	7030003800	S.RES ERJ3GEYJ 105 V (1M)	B	90.6/28.9
R364	7030003320	S.RES ERJ3GEYJ 101 V (100)	B	92.4/29.6
R365	7030003480	S.RES ERJ3GEYJ 222 V (2.2K)	T	90.7/25.7
R368	7030003520	S.RES ERJ3GEYJ 472 V (4.7K)	B	82.8/28.7
R400	7030003320	S.RES ERJ3GEYJ 101 V (100)	B	86.1/16.8
R402	7030003440	S.RES ERJ3GEYJ 102 V (1K)	B	12.2/21
R403	7030003320	S.RES ERJ3GEYJ 101 V (100)	T	15/11.9
R405	7030003440	S.RES ERJ3GEYJ 102 V (1K)	T	15/13.2
R406	7030003320	S.RES ERJ3GEYJ 101 V (100)	T	82/20.2
R407	7030003440	S.RES ERJ3GEYJ 102 V (1K)	T	83.3/20.2
R410	7030003440	S.RES ERJ3GEYJ 102 V (1K)	B	16.7/21
R411	7030003440	S.RES ERJ3GEYJ 102 V (1K)	B	18/21
R412	7030003440	S.RES ERJ3GEYJ 102 V (1K)	B	15.4/21
R413	7030003440	S.RES ERJ3GEYJ 102 V (1K)	B	14.1/21
R414	7030003440	S.RES ERJ3GEYJ 102 V (1K)	B	10.9/21
R416	7030003440	S.RES ERJ3GEYJ 102 V (1K)	B	82.2/13.3
R417	7030003440	S.RES ERJ3GEYJ 102 V (1K)	B	83.5/13.3
R418	7030003440	S.RES ERJ3GEYJ 102 V (1K)	B	29.3/74.9
R419	7030003440	S.RES ERJ3GEYJ 102 V (1K)	T	28.5/74.9
R420	7030003440	S.RES ERJ3GEYJ 102 V (1K)	T	29.8/74.9
R421	7030003440	S.RES ERJ3GEYJ 102 V (1K)	T	31.1/74.9
R422	7030003320	S.RES ERJ3GEYJ 101 V (100)	T	75.5/20.2
R423	7030003440	S.RES ERJ3GEYJ 102 V (1K)	B	28/74.9
R424	7030003440	S.RES ERJ3GEYJ 102 V (1K)	T	42/74.9
R425	7030003320	S.RES ERJ3GEYJ 101 V (100)	T	74.2/20.2
R426	7030003560	S.RES ERJ3GEYJ 103 V (10K)	T	71.5/20.2
R427	7030003560	S.RES ERJ3GEYJ 103 V (10K)	B	80.9/16.8
R428	7030003320	S.RES ERJ3GEYJ 101 V (100)	T	72.9/20.2
R429	7030003320	S.RES ERJ3GEYJ 101 V (100)	T	78.1/20.2
R430	7030003320	S.RES ERJ3GEYJ 101 V (100)	T	80.7/20.2
R431	7030003320	S.RES ERJ3GEYJ 101 V (100)	T	76.8/20.2
R432	7030003320	S.RES ERJ3GEYJ 101 V (100)	B	75.3/19.4
R433	7030003440	S.RES ERJ3GEYJ 102 V (1K)	T	27.2/74.9
R434	7030003320	S.RES ERJ3GEYJ 101 V (100)	B	85.4/14
R435	7030003320	S.RES ERJ3GEYJ 101 V (100)	T	79.4/20.2
R436	7030003320	S.RES ERJ3GEYJ 101 V (100)	B	22/21
R437	7030003320	S.RES ERJ3GEYJ 101 V (100)	B	73.4/18.5
R438	7030003480	S.RES ERJ3GEYJ 222 V (2.2K)	B	87.4/16.8
R439	7030003680	S.RES ERJ3GEYJ 104 V (100K)	T	86.5/19.4
R440	7030003640	S.RES ERJ3GEYJ 473 V (47K)	T	71.5/23.4
R500	7030003560	S.RES ERJ3GEYJ 103 V (10K)	T	80.4/72.8
R501	7030000420	S.RES MCR10EZJH 2.2K (222)	T	78.1/76.1
R502	7030003470	S.RES ERJ3GEYJ 182 V (1.8K)	B	72/79.7
R503	7030003530	S.RES ERJ3GEYJ 562 V (5.6K)	T	108.4/71.2
R504	7030003500	S.RES ERJ3GEYJ 332 V (3.3K)	T	111/71.2
R505	7030000020	S.RES MCR10EZJH 1 (010)	B	112.2/77.7
R506	7030003640	S.RES ERJ3GEYJ 473 V (47K)</		

[LOGIC-D UNIT]

REF NO.	PARTS NO.	DESCRIPTION	M.	H/V LOCATION
R909	7030003860	S.RES ERJ3GE JPW V	B	43.7/35.1
R910	7030003860	S.RES ERJ3GE JPW V	T	55.5/11.8
R911	7030003860	S.RES ERJ3GE JPW V	T	71.6/27.4
R912	7030003860	S.RES ERJ3GE JPW V	B	77.3/18.3
R913	7030003860	S.RES ERJ3GE JPW V	B	77.7/13.3
R914	7030003860	S.RES ERJ3GE JPW V	B	7.7/40.4
R915	7030003860	S.RES ERJ3GE JPW V	B	36/77.1
R916	7030003320	S.RES ERJ3GEYJ 101 V (100)	B	33.3/14.9
R917	7030003560	S.RES ERJ3GEYJ 103 V (10K)	B	31.4/9.9
R918	7030003860	S.RES ERJ3GE JPW V	B	16.7/66.9
R919	7030003860	S.RES ERJ3GE JPW V	B	14.3/63.6
C51	4030006860	S.CER C1608 JB 1H 102K-T	B	44.4/74
C52	4030011600	S.CER C1608 JB 1E 104K-T	T	43.4/71
C53	4030011600	S.CER C1608 JB 1E 104K-T	B	43.9/63.2
C54	4030011600	S.CER C1608 JB 1E 104K-T	B	36.7/44.6
C55	4030011600	S.CER C1608 JB 1E 104K-T	T	54.4/73
C56	4030008560	S.CER C1608 CH 1H 300J-T	T	48.9/54.4
C57	4030008560	S.CER C1608 CH 1H 300J-T	T	47.6/54.1
C58	4030006900	S.CER C1608 JB 1H 103K-T	B	54.1/45.9
C59	4030011600	S.CER C1608 JB 1E 104K-T	T	61.9/46.6
C60	4030011600	S.CER C1608 JB 1E 104K-T	T	70.4/46.7
C61	4030007090	S.CER C1608 CH 1H 470J-T	B	46.4/57.3
C62	4030007090	S.CER C1608 CH 1H 470J-T	B	61.4/51.7
C63	4030007090	S.CER C1608 CH 1H 470J-T	B	63.3/52.5
C64	4030007090	S.CER C1608 CH 1H 470J-T	B	64.6/47.1
C65	4030007090	S.CER C1608 CH 1H 470J-T	B	57.3/44
C66	4030007090	S.CER C1608 CH 1H 470J-T	B	57.2/42.7
C67	4030007090	S.CER C1608 CH 1H 470J-T	B	71.5/67.3
C68	4030007090	S.CER C1608 CH 1H 470J-T	B	70.3/60.4
C69	4030007090	S.CER C1608 CH 1H 470J-T	B	66/52.2
C86	4030006900	S.CER C1608 JB 1H 103K-T	B	47.1/55.5
C88	4030006850	S.CER C1608 JB 1H 471K-T	B	46.3/77.3
C101	4030006900	S.CER C1608 JB 1H 103K-T	T	106.1/64.6
C102	4030006900	S.CER C1608 JB 1H 103K-T	T	110.9/63.2
C103	4030006900	S.CER C1608 JB 1H 103K-T	B	113.2/62.4
C104	4030006900	S.CER C1608 JB 1H 103K-T	T	113.1/53.2
C113	4030011600	S.CER C1608 JB 1E 104K-T	T	108.5/33.6
C118	4030007050	S.CER C1608 CH 1H 220J-T	B	127/6.3
C119	4030007050	S.CER C1608 CH 1H 220J-T	B	13.5/76.3
C120	4030007050	S.CER C1608 CH 1H 220J-T	B	15/76.3
C150	4030006900	S.CER C1608 JB 1H 103K-T	T	86.5/21.2
C151	4030011600	S.CER C1608 JB 1E 104K-T	T	104/16.1
C152	4550007520	S.TAN F931A106MAABMA	T	105.7/16.9
C153	4030012600	S.CER C2012 JB 1A 105M-T	T	91.3/15.3
C154	4030011600	S.CER C1608 JB 1E 104K-T	T	91.5/13.7
C155	4030006860	S.CER C1608 JB 1H 102K-T	T	100.9/12.4
C156	4030006860	S.CER C1608 JB 1H 102K-T	T	104/13.5
C157	4030011600	S.CER C1608 JB 1E 104K-T	B	102.9/15.9
C158	4030011600	S.CER C1608 JB 1E 104K-T	T	91.1/21.3
C159	4030007130	S.CER C1608 CH 1H 101J-T	T	91.4/16.9
C160	4030008890	S.CER C1608 JB 1H 273K-T	B	100/12.2
C161	4030008890	S.CER C1608 JB 1H 273K-T	B	98.2/14.3
C162	4030007000	S.CER C1608 CH 1H 090D-T	B	93.3/14.5
C200	4030011600	S.CER C1608 JB 1E 104K-T	B	34.6/60.2
C202	4610001590	S.TRI TZC3R100A110R00 (TZC03R100A110)	T	24.6/42.1
C203	4030011600	S.CER C1608 JB 1E 104K-T	T	28.1/39.3
C204	4030006980	S.CER C1608 CH 1H 070D-T	T	23.7/38.8
C206	4030006900	S.CER C1608 JB 1H 103K-T	T	18.2/25
C207	4030011600	S.CER C1608 JB 1E 104K-T	T	24.2/11.8
C208	4030006900	S.CER C1608 JB 1H 103K-T	T	33.4/11
C209	4030011600	S.CER C1608 JB 1E 104K-T	T	43.5/13.8
C210	4030011600	S.CER C1608 JB 1E 104K-T	B	32.1/35.7
C211	4030011600	S.CER C1608 JB 1E 104K-T	B	23.4/32.6
C212	4030009650	S.CER C1608 CH 1H 240J-T	T	39.3/43
C213	4030006980	S.CER C1608 CH 1H 070D-T	B	32.3/39
C214	4030006900	S.CER C1608 JB 1H 103K-T	B	38.1/36.3
C215	4610001590	S.TRI TZC3R100A110R00 (TZC03R100A110)	T	32/39.8
C216	4550006780	S.TAN TEESVB2 0J 476M8R	T	26.1/9.4
C300	4550006250	S.TAN TEESVA 1A 106M8R	T	56.5/21.4
C301	4030010040	S.CER C1608 JB 1H 561K-T	T	59/28.1
C302	4030009490	S.CER C1608 JB 1H 821K-T	T	65/25.4
C303	4340000270	S.MYL ECHU 1H 121GB5 0	T	60.7/22.5
C304	4030007170	S.CER C1608 CH 1H 221J-T	T	67.4/20.3
C305	4030007170	S.CER C1608 CH 1H 221J-T	T	67.7/21.6
C306	4030007170	S.CER C1608 CH 1H 221J-T	T	65/22.8
C307	4030007170	S.CER C1608 CH 1H 221J-T	T	65/20.2
C308	4550005980	S.TAN TEESVA 1A 475M8R	T	60.3/17.7
C309	4030010760	S.CER C1608 CH 1H 331J-T	T	61.8/19.4
C310	4550006250	S.TAN TEESVA 1A 106M8R	T	55.2/32.5
C311	4030010040	S.CER C1608 JB 1H 561K-T	T	57.6/39.2
C312	4030009490	S.CER C1608 JB 1H 821K-T	T	63.6/36.5
C313	4340000270	S.MYL ECHU 1H 121GB5 0	T	59.4/33.6
C314	4030007170	S.CER C1608 CH 1H 221J-T	T	68.1/38.3
C315	4030007170	S.CER C1608 CH 1H 221J-T	T	68.1/39.6
C316	4030007170	S.CER C1608 CH 1H 221J-T	T	65.5/35.7
C317	4030007170	S.CER C1608 CH 1H 221J-T	T	68.1/35.7
C318	4550005980	S.TAN TEESVA 1A 475M8R	T	63.4/31.8
C319	4030010760	S.CER C1608 CH 1H 331J-T	T	65.1/28.4
C320	4510008490	S.ELE EEE1CS100SR	B	59.6/27.7
C349	4550006250	S.TAN TEESVA 1A 106M8R	B	87.7/30.7
C350	4030011600	S.CER C1608 JB 1E 104K-T	T	82/26.4
C351	4030011600	S.CER C1608 JB 1E 104K-T	T	90.6/32.5
C352	4030011600	S.CER C1608 JB 1E 104K-T	T	76.5/28.3
C353	4030011810	S.CER C1608 JB 1A 224K-T	T	92.4/33.1
C354	4030011600	S.CER C1608 JB 1E 104K-T	T	93.7/33.1
C355	4030006860	S.CER C1608 JB 1H 102K-T	T	96.5/29.7
C356	4030006860	S.CER C1608 JB 1H 102K-T	T	96.5/28.4
C357	4030011600	S.CER C1608 JB 1E 104K-T	T	100.6/32.3
C358	4030006860	S.CER C1608 JB 1H 102K-T	T	101.3/27
C359	4030008920	S.CER C1608 JB 1H 473K-T	B	85.7/28.7

[LOGIC-D UNIT]

REF NO.	PARTS NO.	DESCRIPTION	M.	H/V LOCATION
C360	4030011600	S.CER C1608 JB 1E 104K-T	T	104.8/22.4
C361	4030011810	S.CER C1608 JB 1A 224K-T	T	93.3/25.7
C362	4030011600	S.CER C1608 JB 1E 104K-T	B	85.2/23.8
C363	4030008920	S.CER C1608 JB 1H 473K-T	T	82/23.8
C364	4030011600	S.CER C1608 JB 1E 104K-T	T	93.3/24.4
C400	4030006850	S.CER C1608 JB 1H 471K-T	T	17.6/11.9
C401	4030007090	S.CER C1608 CH 1H 470J-T	T	17.6/13.2
C402	4030006900	S.CER C1608 JB 1H 103K-T	B	82/23.6
C403	4030007090	S.CER C1608 CH 1H 470J-T	B	16.8/25.1
C404	4030007090	S.CER C1608 CH 1H 470J-T	B	18.1/24.6
C405	4030007090	S.CER C1608 CH 1H 470J-T	B	15.5/25.1
C406	4030007090	S.CER C1608 CH 1H 470J-T	B	14.2/25.1
C407	4030007090	S.CER C1608 CH 1H 470J-T	T	38.8/74.1
C408	4030007090	S.CER C1608 CH 1H 470J-T	B	83.4/16.8
C409	4030007130	S.CER C1608 CH 1H 101J-T	B	77.1/20.2
C410	4030007130	S.CER C1608 CH 1H 101J-T	T	76.8/23.6
C411	4030007130	S.CER C1608 CH 1H 101J-T	B	83.9/23.8
C412	4030007130	S.CER C1608 CH 1H 101J-T	B	86.6/19.4
C413	4030007090	S.CER C1608 CH 1H 470J-T	T	43.3/74.9
C414	4030007090	S.CER C1608 CH 1H 470J-T	B	31.7/71.5
C415	4030007090	S.CER C1608 CH 1H 470J-T	B	30.4/71.5
C416	4030007090	S.CER C1608 CH 1H 470J-T	B	31.2/74.2
C417	4030007090	S.CER C1608 CH 1H 470J-T	B	29.1/71.5
C418	4030007090	S.CER C1608 CH 1H 470J-T	B	27.8/71.5
C419	4030007090	S.CER C1608 CH 1H 470J-T	B	26.5/71.5
C420	4030007090	S.CER C1608 CH 1H 470J-T	B	41.6/80.7
C421	4030007090	S.CER C1608 CH 1H 470J-T	B	29.6/81.1
C422	4030007090	S.CER C1608 CH 1H 470J-T	B	8.2/21.4
C423	4030007090	S.CER C1608 CH 1H 470J-T	B	9.5/21.4
C424	4030007090	S.CER C1608 CH 1H 470J-T	B	72/22.8
C425	4030007090	S.CER C1608 CH 1H 470J-T	B	71.3/20.2
C426	4030007090	S.CER C1608 CH 1H 470J-T	B	73.4/16.7
C427	4030007090	S.CER C1608 CH 1H 470J-T	T	74.9/24.1
C428	4030007090	S.CER C1608 CH 1H 470J-T	B	76.9/22.9
C429	4030007090	S.CER C1608 CH 1H 470J-T	T	78.1/22.8
C430	4030007090	S.CER C1608 CH 1H 470J-T	T	79.4/22.8
C431	4030007090	S.CER C1608 CH 1H 470J-T	B	87.3/13.2
C432	4030007090	S.CER C1608 CH 1H 470J-T	B	80.6/23.6
C433	4030007090	S.CER C1608 CH 1H 470J-T	B	80.9/20.2
C434	4030007090	S.CER C1608 CH 1H 470J-T	B	80.3/12.5
C435	4030007090	S.CER C1608 CH 1H 470J-T	B	82.2/20.2
C437	4030007090	S.CER C1608 CH 1H 470J-T	B	84.7/18.4
C438	4030007090	S.CER C1608 CH 1H 470J-T	B	22/23.6
C442	4030011600	S.CER C1608 JB 1E 104K-T	T	80.7/23.6
C443	4030011810	S.CER C1608 JB 1A 224K-T	B	71.3/24.6
C500	4510008520	S.ELE EEE1CA470SP	B	84.4/69.5
C501	4030011600	S.CER C1608 JB 1E 104K-T	T	84.1/72.4
C502	4030011600	S.CER C1608 JB 1E 104K-T	T	86.5/73
C503	4510008520	S.ELE EEE1CA470SP	B	96.2/69.9
C504	4030006850	S.CER C1608 JB 1H 471K-T	T	86.5/71.7
C506	4030011600	S.CER C1608 JB 1E 104K-T	T	58.6/13.5
C509	4550006250	S.TAN TEESVA 1A 106M8R	T	85.3/70
C510	4030011600	S.CER C1608 JB 1E 104K-T	T	97.4/23.8
C511	4030011600	S.CER C1608 JB 1E 104K-T	T	90.5/70.2
C512	4550006250	S.TAN TEESVA 1A 106M8R	T	88.8/70.4
C513	4510007130	S.ELE EEFCOJ 470R	T	98.6/79.1
C514	4030006850	S.CER C1608 JB 1H 471K-T	T	109.3/81.9
C515	4510008850	S.ELE EEE1CA101P	B	109.5/69.3
C516	4510008490	S.ELE EEE1CS100SR	B	64.2/82
C517	4030011600	S.CER C1608 JB 1E 104K-T	T	66.9/81.3
C518	4030011600	S.CER C1608 JB 1E 104K-T	T	64.5/78.5
C519	4550006250	S.TAN TEESVA 1A 106M8R	T	65.2/75.9
C520	4550007480	S.TAN F930J106MAABMA	T	71.7/81.7
C521	4550007480	S.TAN F930J106MAABMA	B	69.4/70.9
C522	4550007320	S.TAN F930J226MAABMA	T	96.6/71.7
C550	4030008560	S.CER C1608 CH 1H 300J-T	T	4.2/69
C551	4030008560	S.CER C1608 CH 1H 300J-T	T	4.2/54
C553	4030011600	S.CER C1608 JB 1E 104K-T	B	15.4/59.9
C554	4030011600	S.CER C1608 JB 1E 104K-T	T	18.1/62.2
C556	4030008900	S.CER C1608 JB 1H 333K-T	B	18.7/70.1
C557	4550007480	S.TAN F930J106MAABMA	T	13.5/75.1
C558	4030006900	S.CER C1608 JB 1H 103K-T	T	15.2/73.9
C559	4030007090	S.CER C1608 CH 1H 470J-T	T	84/61.1
C561	4030007090	S.CER C1608 CH 1H 470J-T	T	85.7/57.4
C578	4030007090	S.CER C1608 CH 1H 470J-T	B	12.3/55
C579	4030007090	S.CER C1608 CH 1H 470J-T	B	10.7/53
C901	4030011600	S.CER C1608 JB 1E 104K-T	B	31.4/11.9
J50	6510019271	S.CON 52365-0671	T	5.1/49.9
J100	6510023861	S.CON S9B-ZR-SM4A-TF(LF)(SN)	B	18/83

[MAIN-D-1 UNIT]

REF NO.	PARTS NO.	DESCRIPTION	M.	H/V LOCATION
IC71	1110004470	S.IC UPC2721GV-E1 1	T	45.5/76.4
IC271	1110006750	S.IC TK14570LTL-G	T	81.6/33.6
IC343	1110005290	S.IC NJM2115V-TE1-#ZZZB	T	98.2/28.2
IC400	1130010100	S.IC LMX2352TMX/NOPB	B	25.6/64.8
IC550	1130007611	S.IC UPD3140GS-E1-A	B	12.7/35
IC830	1110006090	S.IC XCE202P502PPR	B	38.3/28.2
IC831	1110002751	S.IC TA75S01F(TE85R,F)	B	62/33.4
IC832	1110004050	S.IC NJM3404AV-TE1-#FMZB	B	57.9/32.6
IC890	1110005410	S.IC RFP2485 <I.A> 2	B	48.5/41.7
IC960	1110005150	S.IC UPC8163TB-E3	B	53.3/61.8
IC1021	1110006430	S.IC UPC1678GV-E1-A	T	68.1/53.9
IC1250	1110002751	S.IC TA75S01F(TE85R,F)	B	78.9/124.3
IC1251	1110002751	S.IC TA75S01F(TE85R,F)	B	80.1/116
IC1330	1180002080	S.REG BA09FP-E2	B	75.3/89
IC1331	1180001071	S.IC TA7805F(TE16L,Q)	B	77/100.9
IC1332	1180002020	S.REG BA033FP-E2	B	36.4/96.1
Q1	1590003960	S.FET NE3508M04-T2	T	57.3/105.2
Q131	1580000680	S.FET 3SK241-R(TX) 1	T	40.9/57.9
Q270	1530002601	S.TRA 2SC4215-O(TE85R,F)	T	62.6/41
Q271	1530002601	S.TRA 2SC4215-O(TE85R,F)	T	65.6/41
Q400	1530002920	S.TRA 2SC4226-T1 R25	T	23.2/52.5
Q470	1540000660	S.TRA 2SD2216J-S	T	14.6/74.6
Q471	1530003560	S.TRA 2SC5195-T1 0	T	25.6/73.3
Q472	1530003560	S.TRA 2SC5195-T1 0	T	23.5/73.3
Q473	1530002920	S.TRA 2SC4226-T1 R25	T	29.9/67.6
Q474	1530003311	S.TRA 2SC5107-O(TE85R,F)	B	29/72.8
Q631	1530002920	S.TRA 2SC4226-T1 R25	T	23.7/32.8
Q632	1530002920	S.TRA 2SC4226-T1 R25	T	29/30.2
Q633	1530002920	S.TRA 2SC4226-T1 R25	B	26.3/29.8
Q634	1540000660	S.TRA 2SD2216J-S	T	30.3/35
Q710	1530003311	S.TRA 2SC5107-O(TE85R,F)	B	38.6/73.3
Q770	1590001330	S.TRA DTA114EUA T106	B	34.1/58.8
Q771	1530002920	S.TRA 2SC4226-T1 R25	T	26.6/41.1
Q890	1530003311	S.TRA 2SC5107-O(TE85R,F)	B	35.3/39.4
Q1080	1560001091	S.FET 2SK2854(T2LICOM,F)	B	98.4/39.4
Q1081	1560001141	S.FET 2SK2855(TE12L,F) 0	B	108.6/38.2
Q1082	1540000471	S.TRA 2SD1801S-TL-E	B	76.3/65.4
Q1250	1590000430	S.TRA DTC144EUA T106	B	64.7/127.1
Q1330	1590001320	S.TRA DTC143ZUA T106	B	63.8/108.7
Q1331	1510000890	S.TRA DTA143TU T106	B	63.8/105.3
Q1332	1530003910	S.TRA 2SC4684 (TE16L1 NQ)	B	63.4/98.6
Q1333	1520000730	S.TRA 2SB934P(DS)-(TX)	B	76.3/75.5
Q1334	1530002280	S.TRA 2SC4081 T106 S	B	63.1/74.7
Q1335	1590000430	S.TRA DTC144EUA T106	B	62.8/71.6
Q1336	1540000441	S.TRA 2SD1619T-DE	B	26.6/95.1
Q1337	1510000581	S.TRA 2SA1362-GR(TE85R,F)	B	37/89.7
Q1338	1590000430	S.TRA DTC144EUA T106	T	27.5/95.2
Q1340	1590000430	S.TRA DTC144EUA T106	T	25/95.2
Q1341	1590000430	S.TRA DTC144EUA T106	T	35.4/96.8
Q1342	1510000581	S.TRA 2SA1362-GR(TE85R,F)	B	40.2/87.8
Q1343	1510000581	S.TRA 2SA1362-GR(TE85R,F)	B	42.9/93.8
Q1344	1590000430	S.TRA DTC144EUA T106	T	44.6/89.2
Q1350	1510000581	S.TRA 2SA1362-GR(TE85R,F)	B	39.9/34.3
Q1351	1590000430	S.TRA DTC144EUA T106	B	35.6/32.9
Q1352	1590000430	S.TRA DTC144EUA T106	B	48.2/89.4
Q1750	1520000201	S.TRA 2SB798-TZ-AA DK	B	23.2/114.9
Q1751	1530002280	S.TRA 2SC4081 T106 S	T	26.5/119.1
Q1800	1590000430	S.TRA DTC144EUA T106	T	11/24.8
D401	1730002260	S.ZEN MA8030-H(TX)	B	21.7/58.1
D470	1730002360	S.ZEN MA8062-M(TX)	T	14.1/69.1
D471	1720000471	S.VAR 1SV239(TPH3,F)	T	20.8/76.9
D630	1720000691	S.VAR 1SV282(TPH2,F)	T	13.8/41.3
D633	1730002300	S.ZEN MA8082-M(TX)	T	35.3/38.7
D710	1790001621	S.DIO 1SV308(TPL3,F)	B	41.8/64.6
D711	1790001621	S.DIO 1SV308(TPH3,F)	B	41.5/69.5
D770	1750000581	S.DIO 1SV307(TPH3,F)	B	31.2/39.9
D771	1750000581	S.DIO 1SV307(TPH3,F)	B	29/44.3
D1080	1730002300	S.ZEN MA8082-M(TX)	B	83.1/67.6
D1160	1750000760	S.DIO MA4PH224 (MA4P1250-1072T)	T	90.9/106.4
D1161	1750000760	S.DIO MA4PH224 (MA4P1250-1072T)	T	81/108.5
D1162	1750000760	S.DIO MA4PH224 (MA4P1250-1072T)	T	77.8/111.5
D1164	1720000361	S.DIO HSU88TRF-E	T	88.4/121.8
D1165	1720000361	S.DIO HSU88TRF-E	B	93.1/126.3
D1166	1720000361	S.DIO HSU88TRF-E	T	95.7/109.5
D1168	1790001040	S.ZEN MA8033-(TX)	B	64.7/119.1
D1169	1790001040	S.ZEN MA8033-(TX)	B	64.7/122.4
D1170	1720000361	S.DIO HSU88TRF-E	T	111.9/118
D1250	1720000361	S.DIO HSU88TRF-E	T	69.1/124.2
D1251	1720000361	S.DIO HSU88TRF-E	B	71.6/121.4
D1252	1720000361	S.DIO HSU88TRF-E	B	74.6/120.2
D1254	1790001260	S.DIO MA25077-(TX)	B	80/121.3
D1330	1790000700	DIO DSA3A1		
D1331	1750000550	S.DIO 1SS355 TE-17	B	68.1/70.7
D1332	1750000550	S.DIO 1SS355 TE-17	T	27.3/92
D1333	1750000550	S.DIO 1SS355 TE-17	T	29.1/92
D1750	1730002300	S.ZEN MA8082-M(TX)	T	26.4/121.3
D1800	1750000550	S.DIO 1SS355 TE-17	T	13.5/23.2
D1801	1750000550	S.DIO 1SS355 TE-17	T	8.6/22.3
FI1	2040001660	S.FIL LFB431G28SN1A362 (LFSN30N18C1)	T	51.3/100.6
FI2	2040001660	S.FIL LFB431G28SN1A362 (LFSN30N18C1)	T	51.3/88.9
FI71	2040001650	S.SAW WF447B-T	T	47.2/68.9
FI272	2020002190	CER SFELF10M7HA0G-B0		
FI273	2020002190	CER SFELF10M7HA0G-B0		
FI880	2040001650	S.SAW WF447B-T	T	50.2/51.5
FI961	2040001360	S.FIL LFB431G27AL1A303 2	T	63.6/62.6
FI1020	2040001360	S.FIL LFB431G27AL1A303 2	T	85/48.4

[MAIN-D-1 UNIT]

REF NO.	PARTS NO.	DESCRIPTION	M.	H/V LOCATION
X271	6070000250	S.DIS CDSCB10M7GF122-R0	T	74.9/31
X400	6050012380	S.XTA CR-826 DSA535SD 15.3 Mhz	T	14.3/55.1
L1	6200006040	S.COI LQP18MN5N6C02D	T	66.8/105.6
L2	6200009950	S.COI LQP18MN3N3C02D	T	64.7/108.8
L3	6200006030	S.COI LQP18MN4N7C02D	T	60.5/105.3
L4	6200006030	S.COI LQP18MN4N7C02D	T	59.2/105.3
L5	6200006030	S.COI LQP18MN4N7C02D	T	56.9/102.5
L71	6200006991	S.COI ELJRE 56NGFA	T	40.4/78.9
L72	6200006991	S.COI ELJRE 56NGFA	T	47.6/72.7
L73	6200006991	S.COI ELJRE 56NGFA	T	42.3/68.8
L74	6200009351	S.COI ELJRE R22GFA	T	40.5/60.3
L131	6200002710	S.COI ELJFC 1R8K-F	T	40.8/54.5
L132	6200001981	S.COI NLV25T-1R0J	T	40.8/51.1
L271	6200011820	S.COI 1812CS-562XJLJC	T	75/34.6
L400	6200006991	S.COI ELJRE 56NGFA	T	9.4/66.9
L404	6200006991	S.COI ELJRE 56NGFA	B	14.9/63.7
L415	6200006991	S.COI ELJRE 56NGFA	T	9.5/49.5
L470	6200006991	S.COI ELJRE 56NGFA	T	23.5/69.5
L472	6200009390	S.COI C3328A-8NJ-A	T	24.6/78.2
L473	6200002631	S.COI NLV25T-F10J	T	20/79.4
L474	6200005621	S.COI ELJRE 4N7ZFA	T	32.2/67.6
L475	6200005641	S.COI ELJRE 6N8ZFA	T	32.2/70.2
L476	6200005651	S.COI ELJRE 8N2ZFA	T	35.3/73.4
L477	6200005641	S.COI ELJRE 6N8ZFA	T	35.3/77.3
L480	6200005641	S.COI ELJRE 6N8ZFA	B	27.4/74.9
L481	6200006991	S.COI ELJRE 56NGFA	T	14.3/77.8
L550	6200001981	S.COI NLV25T-1R0J	B	21.7/36.1
L554	6200006991	S.COI ELJRE 56NGFA	B	24.9/37.6
L556	6200009351	S.COI ELJRE R22GFA	B	2.5/44.9
L557	6200009351	S.COI ELJRE R22GFA	T	4/29.7
L630	6200009700	S.COI C6328A-28NG-A	T	17.7/39.1
L631	6200005701	S.COI ELJRE 22NGFA	B	21.4/30.4
L632	6200006991	S.COI ELJRE 56NGFA	T	32.8/30.8
L633	6200001981	S.COI NLV25T-1R0J	T	17.7/43.9
L636	6200006991	S.COI ELJRE 56NGFA	T	26.7/33.5
L712	6200006991	S.COI ELJRE 56NGFA	T	38.4/76.7
L713	6200005621	S.COI ELJRE 4N7ZFA	B	36.6/68.7
L714	6200005641	S.COI ELJRE 6N8ZFA	B	36.4/74.3
L715	6200006991	S.COI ELJRE 56NGFA	B	32.1/75.9
L717	6200006991	S.COI ELJRE 56NGFA	T	9.9/69.5
L718	6200006991	S.COI ELJRE 56NGFA	T	34.3/58.6
L719	6200006991	S.COI ELJRE 56NGFA	T	39/68.7
L720	6200006991	S.COI ELJRE 56NGFA	T	35.2/55.9
L770	6200005701	S.COI ELJRE 22NGFA	B	31/50.4
L880	6200006991	S.COI ELJRE 56NGFA	T	49.6/45.5
L881	6200006991	S.COI ELJRE 56NGFA	T	45.2/52.6
L891	6200005711	S.COI ELJRE 27NGFA	B	40.9/45
L892	6200005721	S.COI ELJRE 33NGFA	T	46.5/57.8
L893	6200005731	S.COI ELJRE 39NGFA	T	46.5/60.4
L895	6200006991	S.COI ELJRE 56NGFA	B	38.2/36.5
L896	6200006991	S.COI ELJRE 56NGFA	B	37.5/38.6
L897	6200006991	S.COI ELJRE 56NGFA	B	42.5/41.2
L898	6200001981	S.COI NLV25T-1R0J	B	40.7/37.6
L961	6200006991	S.COI ELJRE 56NGFA	B	52.6/64.6
L962	6200005651	S.COI ELJRE 8N2ZFA	B	55.5/61.8
L964	6200006991	S.COI ELJRE 56NGFA	B	43.6/81
L1020	6200006991	S.COI ELJRE 56NGFA	B	69.1/53.7
L1021	6200012040	S.COI LL1608-FSL5N6S	T	72.8/53.8
L1080	6200006771	S.COI ELJRE 1N5ZFA	B	100.6/43.6
L1081	6200013080	S.COI 0.25-1.9-10TL 97.0N <COMO>	T	112.1/45.6
L1082	6200007740	S.COI LQW2BHN47NJ03L	T	107.3/48.1
L1085	6200006991	S.COI ELJRE 56NGFA	T	106.5/50.4
L1086	6200006991	S.COI ELJRE 56NGFA	T	99.8/46.6
L1087	6200006991	S.COI ELJRE 56NGFA	B	80.9/106.5
L1161	6200009700	S.COI C6328A-28NG-A	T	105.2/95.9
L1162	6200009410	S.COI C3328A-2N5K-A	T	85.1/108.6
L1163	6200009410	S.COI C3328A-2N5K-A	T	73.7/107.3
L1164	6200006991	S.COI ELJRE 56NGFA	B	97.4/127.1
L1166	6200009700	S.COI C6328A-28NG-A	T	93/83.6
L1167	6200008911	S.COI 1812CS-122XJLJC	T	101.1/84.8
L1169	6200006991	S.COI ELJRE 56NGFA	T	113.2/69.8
L1170	6200006991	S.COI ELJRE 56NGFA	B	83.8/114
L1250	6200005741	S.COI ELJRE 47NGFA	B	60.8/126.1
L1251	6200006991	S.COI ELJRE 56NGFA	B	76.2/113
L1330	6200006991	S.COI ELJRE 56NGFA	T	21.2/93.5
L1331	6200006991	S.COI ELJRE 56NGFA	B	22.9/92.3
L1332	6200006991	S.COI ELJRE 56NGFA	B	22.5/91
L1333	6200006991	S.COI ELJRE 56NGFA	B	45.2/81
L1334	6200006991	S.COI ELJRE 56NGFA	B	56.7/71.6
L1335	6200006991	S.COI ELJRE 56NGFA	B	62.2/76.6
L1348	6200006991	S.COI ELJRE 56NGFA	B	51.8/67.2
L1349	6200006991	S.COI ELJRE 56NGFA	B	58.7/57.8
L1360	6200006991	S.COI ELJRE 56NGFA	T	38/50
L1550	6200006991	S.COI ELJRE 56NGFA	B	17.2/56.8
L1804	6200006991	S.COI ELJRE 56NGFA	B	26.2/99.4
L1805	6200006991	S.COI ELJRE 56NGFA	B	54.5/108.5
L9201	6200011910	S.COI BLM31PG330SN1L	B	90.6/90.8
R1	7030003240	S.RES ERJ3GEYJ 220 V (22)	T	55.4/106.3
R2	7030003210	S.RES ERJ3GEYJ 120 V (12)	T	56.9/98.5
R7	7030003340	S.RES ERJ3GEYJ 151 V (150)	B	47/85
R8	7030003220	S.RES ERJ3GEYJ 150 V (15)	B	47.7/83.1
R70	7030003200	S.RES ERJ3GEYJ 100 V (10)	T	40.7/76.6
R71</				

[MAIN-D-1 UNIT]

REF NO.	PARTS NO.	DESCRIPTION	M.	H/V LOCATION
R133	7030003300	S.RES ERJ3GEYJ 680 V (68)	T	43.3/55.1
R134	7030003320	S.RES ERJ3GEYJ 101 V (100)	T	51.4/73.3
R135	7030003390	S.RES ERJ3GEYJ 391 V (390)	B	39.1/54.5
R270	7510001701	S.THR NTCG16 4LH 154JT	T	82.9/28
R271	7030003680	S.RES ERJ3GEYJ 104 V (100K)	T	80.4/28
R272	7030003860	S.RES ERJ3GE JPW V	T	84.9/26
R273	7030003680	S.RES ERJ3GEYJ 104 V (100K)	T	84.2/28
R274	7030003700	S.RES ERJ3GEYJ 154 V (150K)	T	85/24.8
R276	7030003480	S.RES ERJ3GEYJ 222 V (2.2K)	T	78.5/31
R277	7030003280	S.RES ERJ3GEYJ 470 V (47)	T	74.7/37.5
R279	7030003640	S.RES ERJ3GEYJ 473 V (47K)	B	72.3/3.8
R284	7030003320	S.RES ERJ3GEYJ 101 V (100)	T	59.9/40.6
R285	7030003320	S.RES ERJ3GEYJ 101 V (100)	T	67.2/43
R286	7030003440	S.RES ERJ3GEYJ 102 V (1K)	T	68.1/37.8
R287	7030003380	S.RES ERJ3GEYJ 331 V (330)	T	63.5/39.1
R288	7030003380	S.RES ERJ3GEYJ 331 V (330)	T	68.3/40.5
R289	7030003470	S.RES ERJ3GEYJ 182 V (1.8K)	T	63.5/37.9
R291	7030003680	S.RES ERJ3GEYJ 104 V (100K)	T	71.3/22.7
R292	7510001671	S.THR NTCG16 4BH 103JT	T	73.3/39.4
R293	7030003450	S.RES ERJ3GEYJ 122 V (1.2K)	T	74.1/41.3
R294	7030003250	S.RES ERJ3GEYJ 270 V (27)	B	46.3/51.8
R296	7030005331	S.RES ERA3YED 562V (5.6K)	T	74.7/39.4
R331	7030003770	S.RES ERJ3GEYJ 564 V (560K)	B	81.6/124.3
R340	7030003520	S.RES ERJ3GEYJ 472 V (4.7K)	T	67.3/35.3
R400	7030003440	S.RES ERJ3GEYJ 102 V (1K)	B	25.2/54.9
R401	7030003440	S.RES ERJ3GEYJ 102 V (1K)	B	28.4/56.8
R402	7030003440	S.RES ERJ3GEYJ 102 V (1K)	B	31.6/68.9
R403	7030003440	S.RES ERJ3GEYJ 102 V (1K)	B	29.9/58.6
R404	7030003440	S.RES ERJ3GEYJ 102 V (1K)	B	31.4/59.4
R405	7030003290	S.RES ERJ3GEYJ 560 V (56)	B	27.9/70.5
R406	7030003460	S.RES ERJ3GEYJ 152 V (1.5K)	B	18.8/73.4
R407	7030003440	S.RES ERJ3GEYJ 102 V (1K)	B	20.7/74.3
R409	7030003320	S.RES ERJ3GEYJ 101 V (100)	T	23/55.7
R410	7030003660	S.RES ERJ3GEYJ 683 V (68K)	T	23/54.4
R411	7030003440	S.RES ERJ3GEYJ 102 V (1K)	T	20.8/49.7
R412	7030003670	S.RES ERJ3GEYJ 823 V (82K)	T	20.4/51.7
R413	7030003360	S.RES ERJ3GEYJ 221 V (220)	T	21/55
R414	7030003560	S.RES ERJ3GEYJ 103 V (10K)	T	23/57.1
R415	7030003550	S.RES ERJ3GEYJ 822 V (8.2K)	T	11/50.7
R416	7030003350	S.RES ERJ3GEYJ 181 V (180)	T	20.2/57.1
R417	7030003490	S.RES ERJ3GEYJ 272 V (2.7K)	B	25.2/56.4
R418	7030003490	S.RES ERJ3GEYJ 272 V (2.7K)	B	27.1/59
R419	7030003490	S.RES ERJ3GEYJ 272 V (2.7K)	B	31/61.3
R420	7030003460	S.RES ERJ3GEYJ 152 V (1.5K)	B	32.2/66.8
R421	7030003350	S.RES ERJ3GEYJ 181 V (180)	T	22/59
R422	7030003440	S.RES ERJ3GEYJ 102 V (1K)	B	15.4/78.2
R470	7030003360	S.RES ERJ3GEYJ 221 V (220)	T	14.9/71.5
R471	7030006601	S.RES ERA3YED 272V (2.7K)	T	27.5/74
R472	7030006571	S.RES ERA3YED 392V (3.9K)	T	21.3/76.7
R473	7030006571	S.RES ERA3YED 392V (3.9K)	T	21.2/72.7
R474	7030003400	S.RES ERJ3GEYJ 471 V (470)	T	21.2/75.3
R475	7030003300	S.RES ERJ3GEYJ 680 V (68)	T	26.7/67.6
R476	7030003610	S.RES ERJ3GEYJ 273 V (27K)	T	28/67.6
R478	7030003320	S.RES ERJ3GEYJ 101 V (100)	T	27.3/69.5
R479	7030003360	S.RES ERJ3GEYJ 221 V (220)	T	35.4/66.8
R480	7030003370	S.RES ERJ3GEYJ 271 V (270)	B	36/76.5
R481	7030003280	S.RES ERJ3GEYJ 470 V (47)	T	29.9/75.7
R483	7030003650	S.RES ERJ3GEYJ 563 V (56K)	B	29.3/74.7
R484	7030003320	S.RES ERJ3GEYJ 101 V (100)	B	28.7/78.1
R485	7030003240	S.RES ERJ3GEYJ 220 V (22)	T	31.3/65.6
R486	7030003320	S.RES ERJ3GEYJ 101 V (100)	T	14.9/72.8
R487	7030009691	S.RES ERA3YED 101V (100)	T	21.9/79
R550	7030003290	S.RES ERJ3GEYJ 560 V (56)	B	18.2/34.1
R551	7030003440	S.RES ERJ3GEYJ 102 V (1K)	B	11.1/27.5
R552	7030003440	S.RES ERJ3GEYJ 102 V (1K)	B	9.5/26.7
R553	7030003440	S.RES ERJ3GEYJ 102 V (1K)	B	7.9/27.5
R554	7030003440	S.RES ERJ3GEYJ 102 V (1K)	B	6.3/26.7
R555	7030003440	S.RES ERJ3GEYJ 102 V (1K)	B	10.1/40.8
R556	7030003460	S.RES ERJ3GEYJ 152 V (1.5K)	B	7.3/40.8
R557	7030003320	S.RES ERJ3GEYJ 101 V (100)	B	9.3/42.6
R632	7030003440	S.RES ERJ3GEYJ 102 V (1K)	T	20/42.8
R634	7030003860	S.RES ERJ3GE JPW V	T	14.4/38.1
R636	7030003490	S.RES ERJ3GEYJ 272 V (2.7K)	T	22.6/35.8
R637	7030003490	S.RES ERJ3GEYJ 272 V (2.7K)	T	20.9/33.4
R638	7030003420	S.RES ERJ3GEYJ 681 V (680)	T	21.3/29.6
R639	7030003320	S.RES ERJ3GEYJ 101 V (100)	T	24.6/35.4
R640	7030003320	S.RES ERJ3GEYJ 101 V (100)	T	25.9/35.4
R642	7030003650	S.RES ERJ3GEYJ 563 V (56K)	T	27.1/30.2
R643	7030003290	S.RES ERJ3GEYJ 560 V (56)	T	28.6/38.2
R644	7030003360	S.RES ERJ3GEYJ 221 V (220)	B	28.7/35.2
R645	7030003320	S.RES ERJ3GEYJ 101 V (100)	B	28.7/31
R646	7030003670	S.RES ERJ3GEYJ 823 V (82K)	B	26.3/31.8
R647	7030003380	S.RES ERJ3GEYJ 331 V (330)	B	23.8/31.2
R648	7030003320	S.RES ERJ3GEYJ 101 V (100)	B	25.5/33.9
R649	7030003360	S.RES ERJ3GEYJ 221 V (220)	T	32/34.8
R710	7030003370	S.RES ERJ3GEYJ 271 V (270)	T	40.1/61.9
R711	7030003370	S.RES ERJ3GEYJ 271 V (270)	T	38.4/73.6
R712	7030003340	S.RES ERJ3GEYJ 151 V (150)	B	42.2/67.6
R715	7030003320	S.RES ERJ3GEYJ 101 V (100)	B	32.1/78.6
R716	7030003650	S.RES ERJ3GEYJ 563 V (56K)	B	38.6/75.2
R770	7030003440	S.RES ERJ3GEYJ 102 V (1K)	B	35.6/34.9
R771	7030003520	S.RES ERJ3GEYJ 472 V (4.7K)	B	31.5/35.2
R772	7030003440	S.RES ERJ3GEYJ 102 V (1K)	B	33.6/50.7
R773	7030003520	S.RES ERJ3GEYJ 472 V (4.7K)	B	31/48.8
R775	7030003270	S.RES ERJ3GEYJ 390 V (39)	T	35.2/57.2
R777	7030003480	S.RES ERJ3GEYJ 222 V (2.2K)	T	28.6/43.9
R778	7030003440	S.RES ERJ3GEYJ 102 V (1K)	T	26.7/43.1
R779	7030003650	S.RES ERJ3GEYJ 563 V (56K)	T	26.4/38
R780	7030003320	S.RES ERJ3GEYJ 101 V (100)	T	24.6/38.9
R781	7030003650	S.RES ERJ3GEYJ 563 V (56K)	T	26.7/44.3
R830	7030003520	S.RES ERJ3GEYJ 472 V (4.7K)	B	63/29.8
R831	7030003520	S.RES ERJ3GEYJ 472 V (4.7K)	B	64.7/33.3
R832	7030003320	S.RES ERJ3GEYJ 101 V (100)	B	66.5/36.2
R833	7030003320	S.RES ERJ3GEYJ 101 V (100)	B	56/27.2

[MAIN-D-1 UNIT]

REF NO.	PARTS NO.	DESCRIPTION	M.	H/V LOCATION
R834	7030006091	S.RES ERA3YED 822V (8.2K)	B	58.6/37.5
R835	7030003560	S.RES ERJ3GEYJ 103 V (10K)	B	57.1/39.1
R836	7030003320	S.RES ERJ3GEYJ 101 V (100)	B	54.3/35.6
R837	7030006091	S.RES ERA3YED 822V (8.2K)	B	60.5/28.4
R838	7030003560	S.RES ERJ3GEYJ 103 V (10K)	B	57.9/26.1
R839	7030003320	S.RES ERJ3GEYJ 101 V (100)	B	44.7/35.5
R842	7030003320	S.RES ERJ3GEYJ 101 V (100)	B	48.2/35.5
R845	7030003440	S.RES ERJ3GEYJ 102 V (1K)	B	41.5/30.7
R846	7030003440	S.RES ERJ3GEYJ 102 V (1K)	B	42.8/29.9
R847	7030003440	S.RES ERJ3GEYJ 102 V (1K)	B	46.2/32.9
R848	7030003440	S.RES ERJ3GEYJ 102 V (1K)	B	47.5/32.9
R890	7030003640	S.RES ERJ3GEYJ 473 V (47K)	B	35.4/37.5
R891	7030003400	S.RES ERJ3GEYJ 471 V (470)	B	38.1/44.1
R892	7030003400	S.RES ERJ3GEYJ 471 V (470)	B	35.4/42.6
R893	7030003200	S.RES ERJ3GEYJ 100 V (10)	B	38.9/42.2
R895	7030003320	S.RES ERJ3GEYJ 101 V (100)	B	35.6/36.2
R897	7030003290	S.RES ERJ3GEYJ 560 V (56)	B	44.7/46.8
R898	7030003320	S.RES ERJ3GEYJ 101 V (100)	B	46.8/35.5
R899	7030003290	S.RES ERJ3GEYJ 560 V (56)	B	52.9/47.3
R960	7030003430	S.RES ERJ3GEYJ 821 V (820)	T	60.4/60.6
R961	7030003320	S.RES ERJ3GEYJ 101 V (100)	B	45.9/62.5
R963	7030003430	S.RES ERJ3GEYJ 821 V (820)	B	55.2/64.6
R964	7030004030	S.RES ERJ3GEYJ 5R6 V (5.6)	B	59.9/63.5
R1020	7030003320	S.RES ERJ3GEYJ 101 V (100)	B	83.2/121.9
R1023	7030003430	S.RES ERJ3GEYJ 821 V (820)	T	78.6/46.6
R1024	7030004030	S.RES ERJ3GEYJ 5R6 V (5.6)	T	79.4/48.6
R1025	7030003430	S.RES ERJ3GEYJ 821 V (820)	T	80.1/46.6
R1028	7030003430	S.RES ERJ3GEYJ 821 V (820)	B	88.6/41
R1029	7030004030	S.RES ERJ3GEYJ 5R6 V (5.6)	B	89.4/43.1
R1030	7030003430	S.RES ERJ3GEYJ 821 V (820)	B	90.8/40.9
R1080	7030003360	S.RES ERJ3GEYJ 221 V (220)	B	94.6/43.8
R1081	7030003460	S.RES ERJ3GEYJ 152 V (1.5K)	B	93/45.5
R1083	7030003350	S.RES ERJ3GEYJ 181 V (180)	B	76.2/69.8
R1084	7030003300	S.RES ERJ3GEYJ 680 V (68)	B	105.1/43.3
R1085	7030003420	S.RES ERJ3GEYJ 681 V (680)	T	107.3/45.9
R1086	7310005140	S.TRI RH03ADCJ3X (2.2K) 1	T	73.9/117.4
R1087	7310005050	S.TRI RH03ADCS3X (4.7K) 1	T	80/118.3
R1088	7030003430	S.RES ERJ3GEYJ 821 V (820)	T	104.6/44
R1090	7030010970	S.RES ERJ1TYJ 151U	B	121.7/53.4
R1091	7030003320	S.RES ERJ3GEYJ 101 V (100)	T	110.4/69.8
R1160	7030010420	S.RES ERJ1TYJ 560U (56)	T	106.4/88.2
R1161	7030003520	S.RES ERJ3GEYJ 472 V (4.7K)	T	86.7/119.4
R1163	7030003560	S.RES ERJ3GEYJ 103 V (10K)	T	98.6/106.5
R1164	7030000260	S.RES MCR10EZJH 100 (101)	T	99.8/109.5
R1165	7030003640	S.RES ERJ3GEYJ 473 V (47K)	B	95/127.9
R1167	7030000340	S.RES MCR10EZJH 470 (471)	T	105.8/118
R1169	7030000500	S.RES MCR10EZJH 10 K (103)	B	120.8/126.2
R1170	7030006260	S.RES ERJ12YJ471U (470)	B	67.7/121.6
R1172	7030000380	S.RES MCR10EZJH 1 K (102)	T	102.3/110.6
R1250	7030003530	S.RES ERJ3GEYJ 562 V (5.6K)	B	71.6/124.6
R1251	7310005140	S.TRI RH03ADCJ3X (2.2K) 1	T	73.4/126.7
R1252	7030003470	S.RES ERJ3GEYJ 182 V (1.8K)	T	69.7/127.8
R1254	7030003400	S.RES ERJ3GEYJ 471 V (470)	B	70.3/127.1
R1255	7030003560	S.RES ERJ3GEYJ 103 V (10K)	B	75.9/127.1
R1256	7030003600	S.RES ERJ3GEYJ 223 V (22K)	B	87.6/125.1
R1257	7030003600	S.RES ERJ3GEYJ 223 V (22K)	B	88.4/127.5
R1258	7030003320	S.RES ERJ3GEYJ 101 V (100)	B	77.6/121
R1259	7030003320	S.RES ERJ3GEYJ 101 V (100)	B	77/115.1
R1260	7030003560	S.RES ERJ3GEYJ 103 V (10K)	B	77.7/117.5
R1330	7030003200	S.RES ERJ3GEYJ 100 V (10)	B	64.6/102.8
R1331	7030003440	S.RES ERJ3GEYJ 102 V (1K)	B	66/104.9
R1332	7030003560	S.RES ERJ3GEYJ 103 V (10K)	B	65.8/75.4
R1333	7030003440	S.RES ERJ3GEYJ 102 V (1K)	T	64.1/74.5
R1334	7030000410	S.RES MCR10EZJH 1.8K (182)	B	59.5/73.3
R1335	7030000410	S.RES MCR10EZJH 1.8K (182)	B	59.5/73.3
R1336	7030007180	S.RES ERJ12YJ150U (15)	B	71.5/100
R1338	7030003520	S.RES ERJ3GEYJ 472 V (4.7K)	T	25.7/91.3
R1339	7030000100	S.RES MCR10EZJH 4.7 (4R7)	B	28.8/98.4
R1340	7030003440	S.RES ERJ3GEYJ 102 V (1K)	T	25.2/93.2
R1342	7030003560	S.RES ERJ3GEYJ 103 V (10K)	B	37.1/91.9
R1343	7030003440	S.RES ERJ3GEYJ 102 V (1K)	T	35.4/94
R1344	7030003560	S.RES ERJ3GEYJ 103 V (10K)	B	40.2/90.1
R1345	7030003440	S.RES ERJ3GEYJ 102 V (1K)	T	42.1/90.1
R1346	7030003560	S.RES ERJ3GEYJ 103 V (10K)	B	42.9/91.1
R1347	7030003440	S.RES ERJ3GEYJ 102 V (1K)	B	

[MAIN-D-1 UNIT]

REF NO.	PARTS NO.	DESCRIPTION	M.	H/V LOCATION
W340	7030003860	S.RES ERJ3GE JPW V	B	67.1/9.8
W404	7030003860	S.RES ERJ3GE JPW V	T	17.5/59.6
W428	7030003860	S.RES ERJ3GE JPW V	B	13.6/94.8
W429	7030003860	S.RES ERJ3GE JPW V	B	33.6/60.9
W480	7030003860	S.RES ERJ3GE JPW V	T	20.5/69.2
W550	7030003860	S.RES ERJ3GE JPW V	B	26/42.2
W840	7030003860	S.RES ERJ3GE JPW V	B	49.8/33.6
W841	7030003860	S.RES ERJ3GE JPW V	B	42.5/39.9
W1021	7030003860	S.RES ERJ3GE JPW V	T	66.8/60.6
W1029	7030008240	S.RES ERJ12Y0R00U	B	68.9/113
W1033	7030008240	S.RES ERJ12Y0R00U	B	21.6/53.3
W1083	7030003860	S.RES ERJ3GE JPW V	B	104.3/41.2
W1084	7030003860	S.RES ERJ3GE JPW V	B	101.9/42
W1089	7030003860	S.RES ERJ3GE JPW V	T	80.7/114.1
W1261	7030003860	S.RES ERJ3GE JPW V	B	73.1/127.1
W1670	7030003860	S.RES ERJ3GE JPW V	B	86/7.3
W1750	7030003860	S.RES ERJ3GE JPW V	B	88/5
C2	4030009530	S.CER C1608 CH 1H 030B-T	T	67.6/107.5
C3	4030009540	S.CER C1608 CH 1H 1R5B-T	T	65/107.5
C4	4030009540	S.CER C1608 CH 1H 1R5B-T	T	62.4/107.2
C5	4030009530	S.CER C1608 CH 1H 030B-T	T	59.7/107.2
C6	4030007090	S.CER C1608 CH 1H 470J-T	T	54.1/106.3
C7	4030006860	S.CER C1608 JB 1H 102K-T	T	54.3/108.2
C8	4030007090	S.CER C1608 CH 1H 470J-T	T	56.6/107.8
C9	4030007090	S.CER C1608 CH 1H 470J-T	T	58.8/103.2
C10	4030006860	S.CER C1608 JB 1H 102K-T	T	58.8/101.9
C11	4030007090	S.CER C1608 CH 1H 470J-T	T	58.8/100.6
C12	4030006980	S.CER C1608 CH 1H 070D-T	T	54.4/104.4
C13	4030007090	S.CER C1608 CH 1H 470J-T	T	58.8/99.3
C14	4030007010	S.CER C1608 CH 1H 100D-T	T	58.8/98
C15	4030006860	S.CER C1608 JB 1H 102K-T	T	58.8/96.7
C23	4030006860	S.CER C1608 JB 1H 102K-T	T	48.4/79.5
C70	4030006860	S.CER C1608 JB 1H 102K-T	T	39.9/73.6
C72	4030007090	S.CER C1608 CH 1H 470J-T	T	42.5/73.6
C74	4030007090	S.CER C1608 CH 1H 470J-T	T	43/79.4
C75	4030009500	S.CER C1608 CH 1H 0R5B-T	T	45.5/79.5
C76	4030006860	S.CER C1608 JB 1H 102K-T	T	50.3/78
C77	4030007090	S.CER C1608 CH 1H 470J-T	T	50.3/76.7
C78	4030006860	S.CER C1608 JB 1H 102K-T	T	50.2/75.2
C79	4030009910	S.CER C1608 CH 1H 040B-T	T	50.2/73.3
C81	4030009550	S.CER C1608 CH 1H 2R5B-T	T	41/68.8
C82	4030009910	S.CER C1608 CH 1H 040B-T	T	42.3/66.1
C131	4030006860	S.CER C1608 JB 1H 102K-T	T	37.9/56.5
C132	4030010760	S.CER C1608 CH 1H 331J-T	T	43.3/53.8
C133	4030006860	S.CER C1608 JB 1H 102K-T	T	43.9/57.7
C134	4030011600	S.CER C1608 JB 1E 104K-T	T	43.7/56.4
C136	4030006860	S.CER C1608 JB 1H 102K-T	T	43.3/52.5
C137	4030006900	S.CER C1608 JB 1H 103K-T	T	43.3/51.2
C138	4030011600	S.CER C1608 JB 1E 104K-T	T	43.3/49.9
C140	4030006860	S.CER C1608 JB 1H 102K-T	T	37.5/54.5
C207	4030011600	S.CER C1608 JB 1E 104K-T	B	71.1/3.8
C271	4030011600	S.CER C1608 JB 1E 104K-T	T	84.6/36.5
C272	455006250	S.TAN TEESVA 1A 106M8R	T	85.9/31.6
C273	4030006900	S.CER C1608 JB 1H 103K-T	T	85.8/36.5
C274	4030006900	S.CER C1608 JB 1H 103K-T	T	81.2/37.6
C275	4030006900	S.CER C1608 JB 1H 103K-T	T	80/37.6
C276	4030006900	S.CER C1608 JB 1H 103K-T	T	78.5/33.9
C278	4030006900	S.CER C1608 JB 1H 103K-T	T	78.5/36.6
C281	4030006860	S.CER C1608 JB 1H 102K-T	T	81.7/28
C283	4030011600	S.CER C1608 JB 1E 104K-T	T	75.7/23.3
C287	4030006900	S.CER C1608 JB 1H 103K-T	T	65.2/36.4
C288	4030006860	S.CER C1608 JB 1H 102K-T	T	68.3/41.7
C295	4030006860	S.CER C1608 JB 1H 102K-T	T	63.9/43.1
C296	4030006900	S.CER C1608 JB 1H 103K-T	T	58.1/39.9
C297	4030006860	S.CER C1608 JB 1H 102K-T	T	76.9/44.4
C341	4030006860	S.CER C1608 JB 1H 102K-T	T	91/27.4
C343	4030011600	S.CER C1608 JB 1E 104K-T	T	101/30.2
C345	4030007110	S.CER C1608 CH 1H 680J-T	T	98.9/34.5
C346	4030011600	S.CER C1608 JB 1E 104K-T	T	102.4/25.9
C347	4510008490	S.ELE EEE1CS100SR	T	104.8/28.8
C349	4030011810	S.CER C1608 JB 1A 224K-T	T	91/30
C400	4030006900	S.CER C1608 JB 1H 103K-T	B	24.5/58.9
C402	4030007090	S.CER C1608 CH 1H 470J-T	B	23.7/69.3
C403	4030011810	S.CER C1608 JB 1A 224K-T	B	20.5/68.5
C404	4030007090	S.CER C1608 CH 1H 470J-T	B	25.2/71.3
C405	4030006860	S.CER C1608 JB 1H 102K-T	B	25.6/72.5
C406	4550000270	S.TAN TEESVA 1E 474M8R	B	15.8/74.9
C408	4030008880	S.CER C1608 JB 1H 223K-T	B	21.4/70.9
C409	4030008900	S.CER C1608 JB 1H 333K-T	B	19.9/76.1
C410	4030007090	S.CER C1608 CH 1H 470J-T	B	17.3/77.5
C411	4030017490	S.CER C1608 JB 1A 105K-T	T	22.8/61.3
C412	4030007090	S.CER C1608 CH 1H 470J-T	T	14.4/57.7
C414	4030007090	S.CER C1608 CH 1H 470J-T	B	26.5/57.7
C416	4030007010	S.CER C1608 CH 1H 100D-T	T	11.4/57.7
C417	4030011600	S.CER C1608 JB 1E 104K-T	T	11.4/59.1
C418	4030006880	S.CER C1608 JB 1H 472K-T	T	24.9/55.2
C419	4030017490	S.CER C1608 JB 1A 105K-T	T	14/50.4
C420	4030006880	S.CER C1608 JB 1H 472K-T	B	19.4/60.5
C421	4030007010	S.CER C1608 CH 1H 100D-T	T	19.7/55
C422	4030006880	S.CER C1608 JB 1H 472K-T	T	20.4/53
C423	4030007010	S.CER C1608 CH 1H 100D-T	T	19.5/49.7
C424	4030007090	S.CER C1608 CH 1H 470J-T	B	29.8/69.9
C425	4030007090	S.CER C1608 CH 1H 470J-T	B	33.6/62.2
C426	4030007090	S.CER C1608 CH 1H 470J-T	B	27.1/60.4
C427	4030007090	S.CER C1608 CH 1H 470J-T	B	31/62.6
C429	4030007090	S.CER C1608 CH 1H 470J-T	B	16.5/67.6
C430	4030007090	S.CER C1608 CH 1H 470J-T	T	20.1/61.5
C431	4030007130	S.CER C1608 CH 1H 101J-T	B	18.6/57.5
C432	4030007090	S.CER C1608 CH 1H 470J-T	T	26.2/56.8
C433	4030006850	S.CER C1608 JB 1H 471K-T	B	31.8/56
C435	4030007090	S.CER C1608 CH 1H 470J-T	T	27.5/57.7
C436	4030007090	S.CER C1608 CH 1H 470J-T	T	23.7/67.1

[MAIN-D-1 UNIT]

REF NO.	PARTS NO.	DESCRIPTION	M.	H/V LOCATION
C437	4030007090	S.CER C1608 CH 1H 470J-T	B	26.7/69.2
C467	4030007090	S.CER C1608 CH 1H 470J-T	B	13.6/77.5
C468	4030007090	S.CER C1608 CH 1H 470J-T	B	11/82
C469	4030007090	S.CER C1608 CH 1H 470J-T	B	12.9/80.3
C470	4030006850	S.CER C1608 JB 1H 471K-T	T	17.4/73.7
C471	4550006760	S.TAN TEESV221A336M8R	T	16.6/78.5
C472	4030017490	S.CER C1608 JB 1A 105K-T	T	14.8/65.6
C473	4030006850	S.CER C1608 JB 1H 471K-T	T	14.8/66.9
C474	4030011600	S.CER C1608 JB 1E 104K-T	T	18.5/66.4
C475	4030006860	S.CER C1608 JB 1H 102K-T	T	17.2/66.3
C476	4030007090	S.CER C1608 CH 1H 470J-T	T	17.1/70.6
C478	4030009500	S.CER C1608 CH 1H 0R5B-T	T	28.6/76.7
C479	4030009920	S.CER C1608 CH 1H 050B-T	T	27.3/79.3
C481	4030009530	S.CER C1608 CH 1H 030B-T	T	23.8/75
C482	4030009530	S.CER C1608 CH 1H 030B-T	T	21.2/74
C483	4030006860	S.CER C1608 JB 1H 102K-T	T	21.2/71.4
C484	4030009540	S.CER C1608 CH 1H 1R5B-T	T	27.5/71.4
C485	4030007090	S.CER C1608 CH 1H 470J-T	T	30.1/70
C486	4030007010	S.CER C1608 CH 1H 100D-T	T	30.1/71.3
C488	4030009540	S.CER C1608 CH 1H 1R5B-T	T	35.4/68.1
C489	4030009510	S.CER C1608 CH 1H 010B-T	T	33.5/67.6
C490	4030009530	S.CER C1608 CH 1H 030B-T	T	35.4/69.4
C491	4030009500	S.CER C1608 CH 1H 0R5B-T	T	33.5/70.2
C492	4030009520	S.CER C1608 CH 1H 020B-T	T	34.3/72.1
C493	4030009920	S.CER C1608 CH 1H 050B-T	T	32.2/72.8
C494	4030007020	S.CER C1608 CH 1H 120J-T	T	34.1/74.7
C495	4030009520	S.CER C1608 CH 1H 020B-T	T	32.2/75.4
C496	4030007070	S.CER C1608 CH 1H 330J-T	T	34.1/76
C497	4030009530	S.CER C1608 CH 1H 030B-T	T	33.7/78.6
C498	4030006850	S.CER C1608 JB 1H 471K-T	B	29.9/76
C500	4030006990	S.CER C1608 CH 1H 080D-T	T	29.4/73.1
C501	4030009910	S.CER C1608 CH 1H 040B-T	B	25.5/74.2
C503	4550006250	S.TAN TEESVA 1A 106M8R	T	18.8/30.3
C504	4030009500	S.CER C1608 CH 1H 0R5B-T	T	28.5/79.3
C550	4030006860	S.CER C1608 JB 1H 102K-T	B	19/32.2
C551	4030007030	S.CER C1608 CH 1H 150J-T	B	19.2/38.9
C552	4030006860	S.CER C1608 JB 1H 102K-T	B	21.1/38.9
C553	4030007030	S.CER C1608 CH 1H 150J-T	B	17.4/29.6
C554	4030007090	S.CER C1608 CH 1H 470J-T	B	18.2/35.2
C555	4030011600	S.CER C1608 JB 1E 104K-T	B	13.2/40.3
C556	4030007090	S.CER C1608 CH 1H 470J-T	B	26.7/40.2
C558	4030007090	S.CER C1608 CH 1H 470J-T	B	13.2/41.6
C561	4030007090	S.CER C1608 CH 1H 470J-T	B	27/20.5
C562	4030007090	S.CER C1608 CH 1H 470J-T	B	12.7/27.5
C564	4550000270	S.TAN TEESVA 1E 474M8R	B	5/39.2
C567	4550000520	S.TAN TEESVA 1V 683M8R	B	17.5/40.4
C569	4030006860	S.CER C1608 JB 1H 102K-T	B	17.9/43.8
C575	4030006880	S.CER C1608 JB 1H 472K-T	T	18.2/49.7
C582	4030007090	S.CER C1608 CH 1H 470J-T	B	7.1/30.3
C583	4030007090	S.CER C1608 CH 1H 470J-T	B	8.4/30.3
C584	4030007090	S.CER C1608 CH 1H 470J-T	B	4.3/28.2
C585	4030007090	S.CER C1608 CH 1H 470J-T	B	25.5/20.5
C586	4030007090	S.CER C1608 CH 1H 470J-T	B	28.3/51.4
C587	4030007090	S.CER C1608 CH 1H 470J-T	B	26.8/44.1
C632	4030007030	S.CER C1608 CH 1H 150J-T	T	15.9/34.8
C638	4030006860	S.CER C1608 JB 1H 102K-T	T	20.3/34.7
C639	4030007050	S.CER C1608 CH 1H 220J-T	T	21.7/31.5
C640	4030007050	S.CER C1608 CH 1H 220J-T	T	23.8/30.9
C641	4030009500	S.CER C1608 CH 1H 0R5B-T	T	23.9/29.6
C642	4550006250	S.TAN TEESVA 1A 106M8R	T	22.9/39.2
C643	4030011600	S.CER C1608 JB 1E 104K-T	T	20.6/37.6
C644	4030006860	S.CER C1608 JB 1H 102K-T	T	20.6/38.9
C645	4030007010	S.CER C1608 CH 1H 100D-T	T	26.7/32.2
C646	4030011600	S.CER C1608 JB 1E 104K-T	T	30.9/30.2
C647	4030006860	S.CER C1608 JB 1H 102K-T	T	25.8/30.2
C648	4030007090	S.CER C1608 CH 1H 470J-T	T	28.6/33
C649	4030007090	S.CER C1608 CH 1H 470J-T	T	28.6/35.6
C650	4030007090	S.CER C1608 CH 1H 470J-T	B	27.9/33.1
C651	4030007050	S.CER C1608 CH 1H 220J-T	B	23/28.8
C652	4030006860	S.CER C1608 JB 1H 102K-T	B	26.3/27.6
C653	4030007020	S.CER C1608 CH 1H 120J-T	B	20.6/28
C654	4030007020	S.CER C1608 CH 1H 120J-T	B	19/29.6
C655	4030017490	S.CER C1608 JB 1A 105K-T	T	32/32.5
C656	4030006850	S.CER C1608 JB 1H 471K-T	T	33.9/35.5
C657	4550006770	S.TAN TEESVD2 1C 476M-12R	T	31.8/40.6
C658	4030007090	S.CER C1608 CH 1H 470J-T	T	33.9/34.2
C659	4030009530	S.CER C1608 CH 1H 030B-T	B	21.4/32

[MAIN-D-1 UNIT]

REF NO.	PARTS NO.	DESCRIPTION	M.	H/V LOCATION
C832	4030011600	S.CER C1608 JB 1E 104K-T	B	38.8/22.8
C833	4550006250	S.TAN TEESVA 1A 106M8R	B	40.5/22.8
C834	4030011600	S.CER C1608 JB 1E 104K-T	B	63/37
C835	4030011600	S.CER C1608 JB 1E 104K-T	B	52.5/30.5
C836	4550006250	S.TAN TEESVA 1A 106M8R	B	54.5/31.3
C837	4030007130	S.CER C1608 CH 1H 101J-T	B	56/37.5
C838	4030007130	S.CER C1608 CH 1H 101J-T	B	57.9/27.7
C839	4030007030	S.CER C1608 CH 1H 150J-T	B	64.4/37
C840	4030007030	S.CER C1608 CH 1H 150J-T	B	66/33.3
C841	4030007030	S.CER C1608 CH 1H 150J-T	B	49.8/36.2
C880	4030009910	S.CER C1608 CH 1H 040B-T	T	51.5/46
C881	4030009510	S.CER C1608 CH 1H 010B-T	T	49.6/46.8
C882	4030009510	S.CER C1608 CH 1H 010B-T	T	46.5/52.6
C883	4030009910	S.CER C1608 CH 1H 040B-T	T	46.5/55.2
C887	4030007090	S.CER C1608 CH 1H 470J-T	B	34/4.9
C888	4030007090	S.CER C1608 CH 1H 470J-T	B	32.2/4.9
C889	4030007090	S.CER C1608 CH 1H 470J-T	B	30.4/4.9
C890	4030007090	S.CER C1608 CH 1H 470J-T	B	28.6/4.9
C891	4030006850	S.CER C1608 JB 1H 471K-T	B	54.2/44.9
C893	4030007030	S.CER C1608 CH 1H 150J-T	B	45.2/37.4
C894	4030007030	S.CER C1608 CH 1H 150J-T	B	43.1/36.3
C895	4030007030	S.CER C1608 CH 1H 150J-T	B	51.1/36.2
C896	4030007020	S.CER C1608 CH 1H 120J-T	B	42.8/45.2
C897	4030009530	S.CER C1608 CH 1H 030B-T	B	40.9/46.3
C898	4030007020	S.CER C1608 CH 1H 120J-T	B	40.1/48.2
C899	4030006850	S.CER C1608 JB 1H 471K-T	B	35/41.3
C900	4030007090	S.CER C1608 CH 1H 470J-T	B	37.5/41.4
C901	4030006860	S.CER C1608 JB 1H 102K-T	B	53.9/42.4
C902	4030007090	S.CER C1608 CH 1H 470J-T	B	55.2/42.4
C904	4030007020	S.CER C1608 CH 1H 120J-T	T	49.7/57
C905	4030009530	S.CER C1608 CH 1H 030B-T	T	47.8/57.8
C906	4030007050	S.CER C1608 CH 1H 220J-T	T	49.6/59.6
C907	4030009510	S.CER C1608 CH 1H 010B-T	T	47.8/60.4
C909	4030011600	S.CER C1608 JB 1E 104K-T	B	56.5/42.4
C910	4030007090	S.CER C1608 CH 1H 470J-T	B	61.8/38.8
C912	4030009910	S.CER C1608 CH 1H 040B-T	B	38.8/38.6
C913	4030007010	S.CER C1608 CH 1H 100D-T	B	33.1/39.4
C961	4030007090	S.CER C1608 CH 1H 470J-T	B	43.3/59.9
C962	4030009520	S.CER C1608 CH 1H 020B-T	B	52.4/58.6
C963	4030009510	S.CER C1608 CH 1H 010B-T	B	48.8/59.2
C965	4030006850	S.CER C1608 JB 1H 471K-T	B	48.7/62.5
C969	4030007130	S.CER C1608 CH 1H 101J-T	B	57.4/59.1
C970	4030006860	S.CER C1608 JB 1H 102K-T	B	54.7/59.9
C972	4030009510	S.CER C1608 CH 1H 010B-T	B	58.1/62.7
C974	4030006860	S.CER C1608 JB 1H 102K-T	B	53.9/64.6
C977	4030009560	S.CER C1608 CH 1H R75B-T	B	56.5/64.6
C978	4030006850	S.CER C1608 JB 1H 471K-T	B	53.7/66.5
C1022	4030006850	S.CER C1608 JB 1H 471K-T	T	65.5/58
C1023	4030006880	S.CER C1608 JB 1H 472K-T	T	70.7/58
C1024	4030006860	S.CER C1608 JB 1H 102K-T	T	68.1/58
C1025	4030007090	S.CER C1608 CH 1H 470J-T	T	69.4/58
C1026	4030006850	S.CER C1608 JB 1H 471K-T	T	72.8/51.2
C1029	4030006970	S.CER C1608 CH 1H 060D-T	B	92.2/43.1
C1030	4030009920	S.CER C1608 CH 1H 050B-T	B	97/43.1
C1031	4030009530	S.CER C1608 CH 1H 030B-T	B	93/41
C1081	4030007090	S.CER C1608 CH 1H 470J-T	B	97/44.7
C1082	4030007130	S.CER C1608 CH 1H 101J-T	B	97/46.3
C1083	4030007010	S.CER C1608 CH 1H 100D-T	B	96.2/49.9
C1088	4030006860	S.CER C1608 JB 1H 102K-T	T	98.7/51.8
C1090	4030006860	S.CER C1608 JB 1H 102K-T	B	82.8/65.7
C1091	4550003220	S.TAN TEESVA 1E 105M8R	B	84/69.9
C1092	4030006850	S.CER C1608 JB 1H 471K-T	B	67.6/67.6
C1094	4030009520	S.CER C1608 CH 1H 020B-T	B	101.9/38
C1095	4030009910	S.CER C1608 CH 1H 040B-T	B	102.7/39.9
C1096	4030006990	S.CER C1608 CH 1H 080D-T	B	105.1/39.2
C1098	4030009920	S.CER C1608 CH 1H 050B-T	B	107.7/41.9
C1099	4030011600	S.CER C1608 JB 1E 104K-T	T	104.6/45.3
C1100	4030007010	S.CER C1608 CH 1H 100D-T	B	106.5/46.1
C1101	4030007090	S.CER C1608 CH 1H 470J-T	B	105.1/46.1
C1102	4030006900	S.CER C1608 JB 1H 103K-T	T	96.6/49.6
C1105	4030007010	S.CER C1608 CH 1H 100D-T	T	112.1/48.9
C1106	4030007090	S.CER C1608 CH 1H 470J-T	T	110.8/48.9
C1107	4030007130	S.CER C1608 CH 1H 101J-T	T	109.5/48.9
C1108	4030009520	S.CER C1608 CH 1H 020B-T	B	112.1/37.6
C1110	4030006970	S.CER C1608 CH 1H 060D-T	B	110.1/42.7
C1113	4030007090	S.CER C1608 CH 1H 470J-T	B	100.6/47.4
C1114	4030007090	S.CER C1608 CH 1H 470J-T	T	77.5/60.6
C1115	4030011600	S.CER C1608 JB 1E 104K-T	T	77.5/61.9
C1116	4030006850	S.CER C1608 JB 1H 471K-T	B	101.9/47.4
C1118	4030007090	S.CER C1608 CH 1H 470J-T	B	79.2/109.5
C1120	4030011600	S.CER C1608 JB 1E 104K-T	T	95.3/49.6
C1121	4030007090	S.CER C1608 CH 1H 470J-T	T	77.8/124.8
C1123	4030007090	S.CER C1608 CH 1H 470J-T	T	82.8/113.7
C1161	4030006860	S.CER C1608 JB 1H 102K-T	B	112.9/41.6
C1162	4030009540	S.CER C1608 CH 1H R15B-T	B	115.7/41.6
C1167	4030006850	S.CER C1608 JB 1H 471K-T	T	113.2/65.9
C1168	4030007090	S.CER C1608 CH 1H 470J-T	T	113.1/67.2
C1172	4030007090	S.CER C1608 CH 1H 470J-T	T	120.8/87.7
C1173	4030006850	S.CER C1608 JB 1H 471K-T	T	122/87.7
C1174	4030006860	S.CER C1608 JB 1H 102K-T	T	119.4/87.7
C1176	4510008500	S.ELE EEE1CA101WP	T	93.7/91.8
C1186	4030006860	S.CER C1608 JB 1H 102K-T	T	109.1/91.9
C1187	4030007090	S.CER C1608 CH 1H 470J-T	T	110.4/91.9
C1188	4030006850	S.CER C1608 JB 1H 471K-T	T	111.7/91.9
C1189	4030009510	S.CER C1608 CH 1H 010B-T	T	77.8/107.8
C1191	4030007090	S.CER C1608 CH 1H 470J-T	T	86.7/122
C1192	4030007090	S.CER C1608 CH 1H 470J-T	B	91.2/125.9
C1193	4030006850	S.CER C1608 JB 1H 471K-T	B	86.4/119.3
C1196	4030006860	S.CER C1608 JB 1H 102K-T	T	97.3/107.6
C1197	4030009570	S.CER C1608 CH 1H 0R3B-T	T	104.8/112.4
C1198	4030011030	S.CER GRM31M4C2H1R5CY21L (GRM42-6 CK)	T	90.9/116.3
C1199	4030019420	S.CER GRM31A7U2J102JW31D	T	117.5/121.2

[MAIN-D-1 UNIT]

REF NO.	PARTS NO.	DESCRIPTION	M.	H/V LOCATION
C1200	4030000810	S.CER GRM2164C1HR50CD01D (GRM40 CK)	B	120.8/124.4
C1201	4030006850	S.CER C1608 JB 1H 471K-T	T	111.1/120.2
C1204	4030011070	S.CER GRM31M2C2H5R0CY21L (GRM42-6 CH)	T	116.1/100.4
C1207	4030000810	S.CER GRM2164C1HR50CD01D (GRM40 CK)	B	114.2/124.4
C1250	4030007010	S.CER C1608 CH 1H 100D-T	T	69.1/121.2
C1251	4030007010	S.CER C1608 CH 1H 100D-T	B	65.5/125.1
C1252	4030006900	S.CER C1608 JB 1H 103K-T	B	73.4/122.8
C1253	4030006850	S.CER C1608 JB 1H 471K-T	B	75/116.4
C1255	4030006850	S.CER C1608 JB 1H 471K-T	B	62.7/127.1
C1256	4030017480	S.CER C1608 JB 1A 474K-T	B	72.8/128.7
C1259	4030007090	S.CER C1608 CH 1H 470J-T	B	50.4/126.8
C1260	4030006850	S.CER C1608 JB 1H 471K-T	T	45.8/112.2
C1261	4030007010	S.CER C1608 CH 1H 100D-T	B	77.9/127.5
C1262	4030007010	S.CER C1608 CH 1H 100D-T	B	86.8/127.5
C1263	4030011600	S.CER C1608 JB 1E 104K-T	B	76.2/124.4
C1264	4510008490	S.ELE EEE1CS100SR	T	73.5/121.8
C1265	4030006880	S.CER C1608 JB 1H 472K-T	B	83.2/124.3
C1267	4030011600	S.CER C1608 JB 1E 104K-T	B	79.3/113.5
C1268	4030006860	S.CER C1608 JB 1H 102K-T	B	83.2/120
C1269	4030007090	S.CER C1608 CH 1H 470J-T	B	81.3/120.7
C1329	4030007090	S.CER C1608 CH 1H 470J-T	B	67.7/109.5
C1330	4510004601	ELE 16 ME 1000 HC	B	
C1331	4030006860	S.CER C1608 JB 1H 102K-T	B	56.8/105.6
C1332	4030007090	S.CER C1608 CH 1H 470J-T	B	56.8/104.1
C1333	4510008520	S.ELE EEE1CA470SP	T	64.5/121.1
C1334	4030006860	S.CER C1608 JB 1H 102K-T	B	67.6/104.9
C1335	4510008520	S.ELE EEE1CA470SP	T	69.1/97.8
C1336	4030011600	S.CER C1608 JB 1E 104K-T	B	73.9/94.7
C1337	4030006860	S.CER C1608 JB 1H 102K-T	B	76.7/94.7
C1338	4510008500	S.ELE EEE1CA101WP	T	78.1/92.3
C1339	4030007090	S.CER C1608 CH 1H 470J-T	B	70.4/106.6
C1340	4510008520	S.ELE EEE1CA470SP	T	68.5/113.5
C1341	4030011600	S.CER C1608 JB 1E 104K-T	B	75.6/108.1
C1342	4030011600	S.CER C1608 JB 1E 104K-T	B	78.4/108.1
C1343	4510008500	S.ELE EEE1CA101WP	T	77/101.1
C1344	4030007090	S.CER C1608 CH 1H 470J-T	B	62.3/117.3
C1345	4030011600	S.CER C1608 JB 1E 104K-T	B	39.8/100.6
C1346	4030011600	S.CER C1608 JB 1E 104K-T	B	43.5/89.5
C1347	4030007010	S.CER C1608 CH 1H 100D-T	B	56.8/109.7
C1348	4550006760	S.TAN TEESVB21A336M8R	T	42.6/97.2
C1349	4510008490	S.ELE EEE1CS100SR	T	76.3/84.2
C1350	4030006850	S.CER C1608 JB 1H 471K-T	T	34/87.7
C1351	4030017490	S.CER C1608 JB 1A 105K-T	B	29.6/90.9
C1352	4030012610	S.CER C2012 JB 1C 474K-T	B	37.1/86
C1353	4030006860	S.CER C1608 JB 1H 102K-T	T	31.2/92.9
C1355	4030007090	S.CER C1608 CH 1H 470J-T	T	38.3/94.7
C1356	4030011600	S.CER C1608 JB 1E 104K-T	B	39.3/84.9
C1357	4030011600	S.CER C1608 JB 1E 104K-T	B	42.9/97.3
C1358	4030007090	S.CER C1608 CH 1H 470J-T	B	8.2/92.2
C1359	4030007090	S.CER C1608 CH 1H 470J-T	B	19.1/99.4
C1360	4030007090	S.CER C1608 CH 1H 470J-T	B	20.4/99.8
C1361	4030007090	S.CER C1608 CH 1H 470J-T	T	43.5/86.2
C1366	4030006860	S.CER C1608 JB 1H 102K-T	B	27.4/91.7
C1367	4030007090	S.CER C1608 CH 1H 470J-T	B	57.8/65.4
C1368	4030007090	S.CER C1608 CH 1H 470J-T	T	35.4/98.8
C1369	4030007090	S.CER C1608 CH 1H 470J-T	T	24.9/97.2
C1370	4030007090	S.CER C1608 CH 1H 470J-T	B	50.4/73.7
C1371	4030006860	S.CER C1608 JB 1H 102K-T	B	53.1/85.3
C1372	4030007090	S.CER C1608 CH 1H 470J-T	B	54.5/107.3
C1373	4030007090	S.CER C1608 CH 1H 470J-T	T	61.9/109.1
C1374	4030007090	S.CER C1608 CH 1H 470J-T	B	62.2/115.4
C1375	4030007090	S.CER C1608 CH 1H 470J-T	B	63.8/112.1
C1376	4030007090	S.CER C1608 CH 1H 470J-T	T	58.1/122.8
C1507	4030007090	S.CER C1608 CH 1H 470J-T	B	30.2/23.5
C1509	4030007090	S.CER C1608 CH 1H 470J-T	T	17.3/23.4
C1510	4030007090	S.CER C1608 CH 1H 470J-T	B	51.3/108.1
C1511	4030007090	S.CER C1608 CH 1H 470J-T	B	80.6/57.7
C1512	4030007090	S.CER C1608 CH 1H 470J-T	B	79.5/4.1
C1514	4030007090	S.CER C1608 CH 1H 470J-T	B	81/7.9
C1515	4030007090	S.CER C1608 CH 1H 470J-T	B	83.7/6.8
C1516	4030007090	S.CER C1608 CH 1H 470J-T	T	88.3/10.2
C1517	4030007090	S.CER C1608 CH 1H 470J-T	B	89.5/6.9
C1518	40			

[MAIN-D-1 UNIT]

REF NO.	PARTS NO.	DESCRIPTION	M.	H/V LOCATION
C1808	4030007090	S.CER C1608 CH 1H 470J-T	T	38.8/112
C9301	4030007140	S.CER C1608 CH 1H 121J-T	T	38.8/54.4
C9401	4030006860	S.CER C1608 JB 1H 102K-T	T	17.5/58.3
J1602	6510021970	S.CON AXN330C130P	T	26.2/21.8
J1750	6510009351	CON B2B-ZR(LF)(SN)		
J1800	6510021721	S.CON 30FLT-SM2-TB(LF)(SN) 2	T	44/107.5
J1801	6510021721	S.CON 30FLT-SM2-TB(LF)(SN) 2	T	87/5.8
W1164	7120000490	JUM ERD25T0		
W1330	8900011960	CAB OPC-1216		
EP401	6910012350	S.BEA MMZ1608Y 102BT	B	16.5/70.2
EP403	6910012350	S.BEA MMZ1608Y 102BT	B	20.8/63
EP404	6910012350	S.BEA MMZ1608Y 102BT	T	14.8/59.6
EP405	6910012350	S.BEA MMZ1608Y 102BT	T	21.1/66.3
EP470	6910012350	S.BEA MMZ1608Y 102BT	T	16.4/68.2
EP482	6910012350	S.BEA MMZ1608Y 102BT	B	12.9/82.8
EP551	6910012350	S.BEA MMZ1608Y 102BT	B	35.1/26.6
EP552	6910012350	S.BEA MMZ1608Y 102BT	B	27.1/48.7
EP553	6910012350	S.BEA MMZ1608Y 102BT	B	17.9/48
EP721	6910012350	S.BEA MMZ1608Y 102BT	B	32.1/85.5
EP1750	6910012350	S.BEA MMZ1608Y 102BT	B	27.8/124
EP1751	6910012350	S.BEA MMZ1608Y 102BT	B	27.8/125.5

M.=Mounted side (T: Mounted on the Top side, B: Mounted on the Bottom side)
S.=Surface mount

SECTION 6

MECHANICAL PARTS

[CASE]

REF. NO.	ORDER NO.	DESCRIPTION	QTY.
W1	8900013140	Cable OPC-1323 (2731 POWER-SW CABLE)	1
W2	8900013210	Cable OPC-1307 (2731 DC CABLE)	1
W3	8900013240	Cable OPC-1373 (2731 FAN CABLE)	1
W4	8900013170	Cable OPC-1306 (2731 TRX-ANT CABLE)	1
EP1	6910008330	Fan guard G80-18	1
MF1	2710000750	Fan FBA08A12LZ	1
MP1	8010019630	2731 chassis assembly (NC)	1
MP4	8110008170	2731 cover (NC)	1
MP5	8210020760	2731 panel (NC)	1
MP6	8930062850	2731 M-plate (NC)	2
MP8	8930062841	2731 fan holder-1 (NC)	2
MP9	8930063090	Handle BH-60S	1
MP10	8850002040	Washer Z-8S	4
MP11	8930058750	Insulation plate (HH)	1
MP12	8930048350	2146 lens	1
MP13	8950003170	Nylon clip SL-8N	1
MP14	8810006470	Setscrew (C) M4 × 12 SUS	4
MP15	8810003360	Setscrew (C) M3 × 6	4
MP16	8810003360	Setscrew (C) M3 × 6	4
MP17	8810003360	Setscrew (C) M3 × 6	4
MP20	8810003360	Setscrew (C) M3 × 6	1
MP21	8810002950	Screw BiH M3 × 6 SUS	12
MP22	8810002950	Screw BiH M3 × 6 SUS	2
MP23	8810002950	Screw BiH M3 × 6 SUS	1
MP24	8810010130	Setscrew (C) M3 × 35	4
MP25	8810003390	Setscrew (C) M4 × 8	4
MP27	8830000110	Nut M4	1
MP28	8850000140	Flat washer M4 NI BS	1
MP29	8850000130	Flat washer M3 (3 × 8 × 0.5) NI BS	1

[CHASSIS-D PARTS]

REF. NO.	ORDER NO.	DESCRIPTION	QTY.
J1	6510004910	Connector NR-DS-E 01	1
W1	8900010890	Cable OPC-1115	1
W2	8900010890	Cable OPC-1115	1
MF1	2710000590	Fan MF40D-12H-001	1
IC1160	1150002020	IC M57762-02	1
EP1160	6910000970	Bead DL2-OP2.6-3-1.2H	1
EP1161	6910000970	Bead DL2-OP2.6-3-1.2H	1
EP1162	6910000970	Bead DL2-OP2.6-3-1.2H	1
MP1	8010019620	2506 chassis (A)-1	1
MP2	8810008660	Screw PH BT M3 × 8 NI-ZU	2
MP3	8810008660	Screw PH BT M3 × 8 NI-ZU	2
MP4	8810008660	Screw PH BT M3 × 8 NI-ZU	7
MP5	8110006640	2047 cover	1
MP6	8810008450	Screw BiH M4 × 8 ZK	1
MP9	8110005751	1729 FAN cover-1	1
MP10	8810009110	Screw PH 0 M2.6 × 16 ZK	4
MP14	8510012210	2047 main shield	2
MP17	8810007130	Setscrew H M3 × 6	4
MP22	8930049650	Thermally sheet (H)	2
MP23	8930053472	Thermally sheet (R)-2 TC200HS (10 × 10)	3
MP24	8930055051	Thermally sheet (V)-1 TC400HS (10 × 15)	1
MP26	8510014251	2506 M-plate-1	1
MP27	8930037120	1647 M-holder	1
MP28	8930056781	2506 YGR plate-1	1
MP29	8510014241	2506 ANT plate-1	1
MP33	8930014140	Earth spring (D)	1
MP34	8930014140	Earth spring (D)	1
MP50	8930040010	Insulation plate EM	1

[REAR UNIT]

REF. NO.	ORDER NO.	DESCRIPTION	QTY.
J2	6510016170	Connector 52018-8835	1

[FRONT UNIT]

REF. NO.	ORDER NO.	DESCRIPTION	QTY.
J1	6450002100	Connector CMS1410-010010	1
S1	2220000630	Switch MFS201N-16	1
DS1	5040003070	LED MPG4371F	1

[LOGIC-D UNIT]

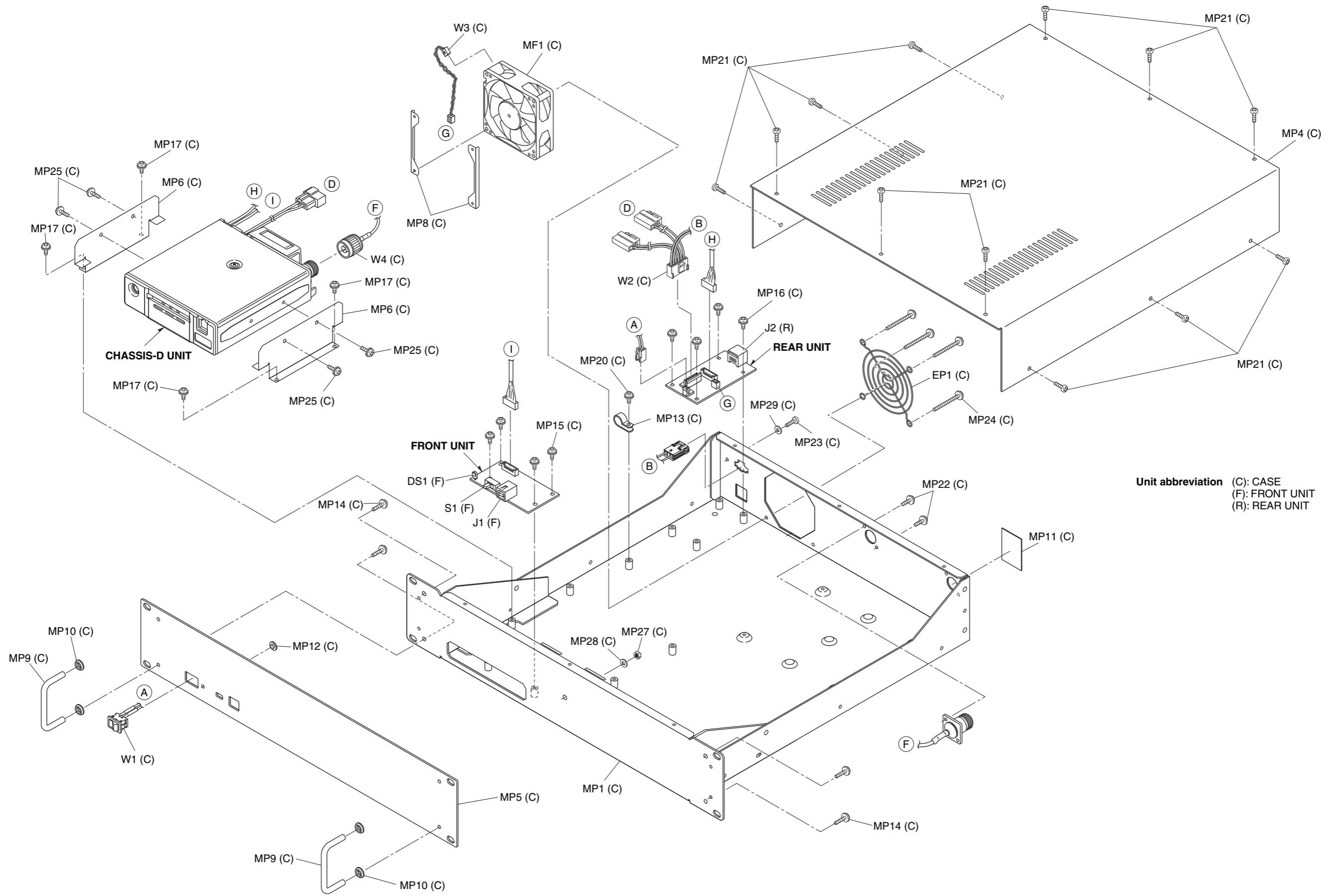
REF. NO.	ORDER NO.	DESCRIPTION	QTY.
W1	8900013200	Cable OPC-1308 (2731 TX-CTRL CABLE)	1
MP1	8510012500	2176 shield plate	1
MP2	8510012500	2176 shield plate	1
MP3	8510014481	2506 CPU shield-1	1
MP6	8930001170	Earth spring (A)	1
MP7	8930007280	Aluminium sheet (H)	1
MP8	8510010460	1691 main shield plate	1
MP9	8510002280	VCO shield plate (A)	1
MP10	8510005070	599 shield plate	1

[MAIN-D UNIT]

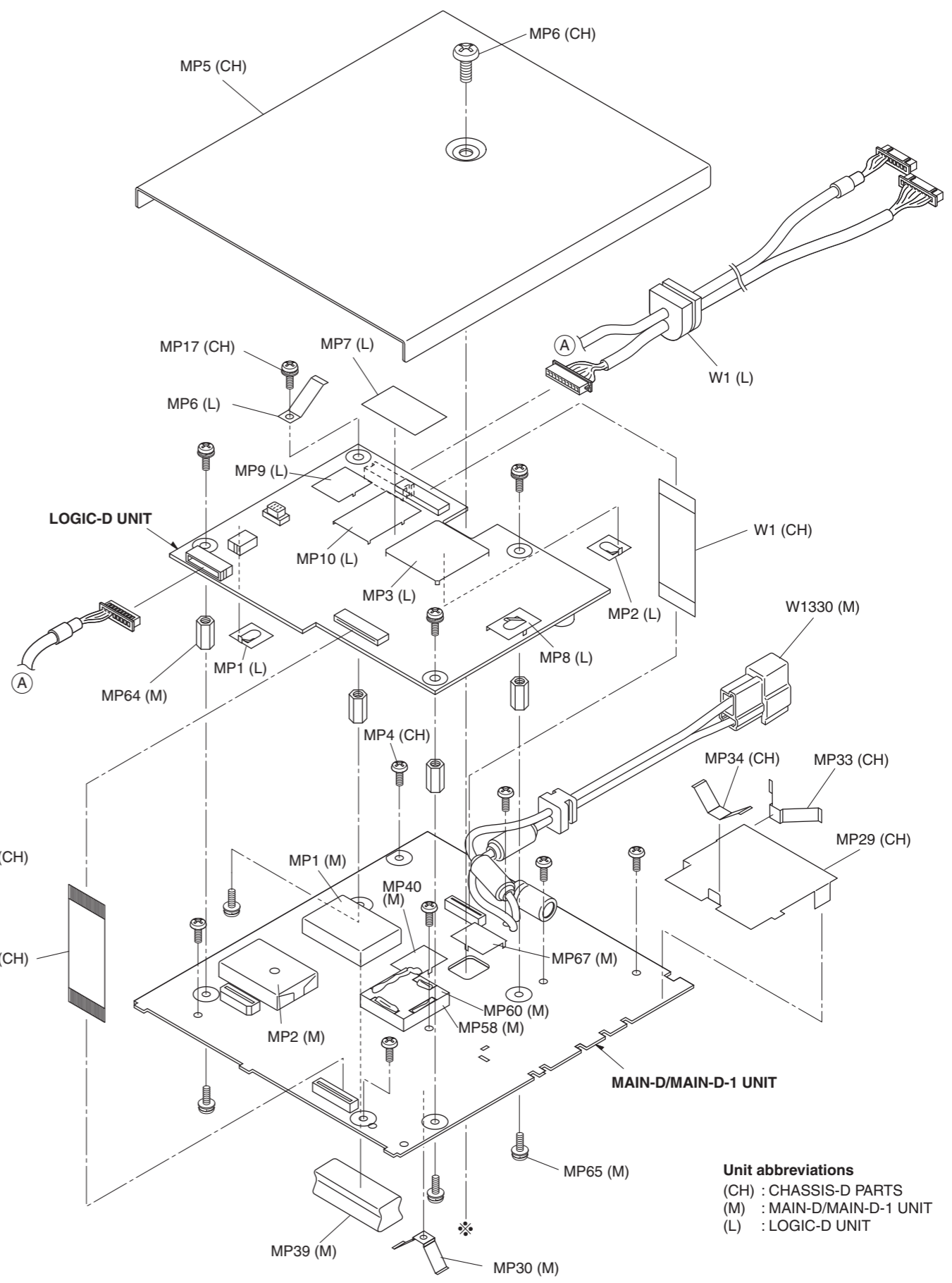
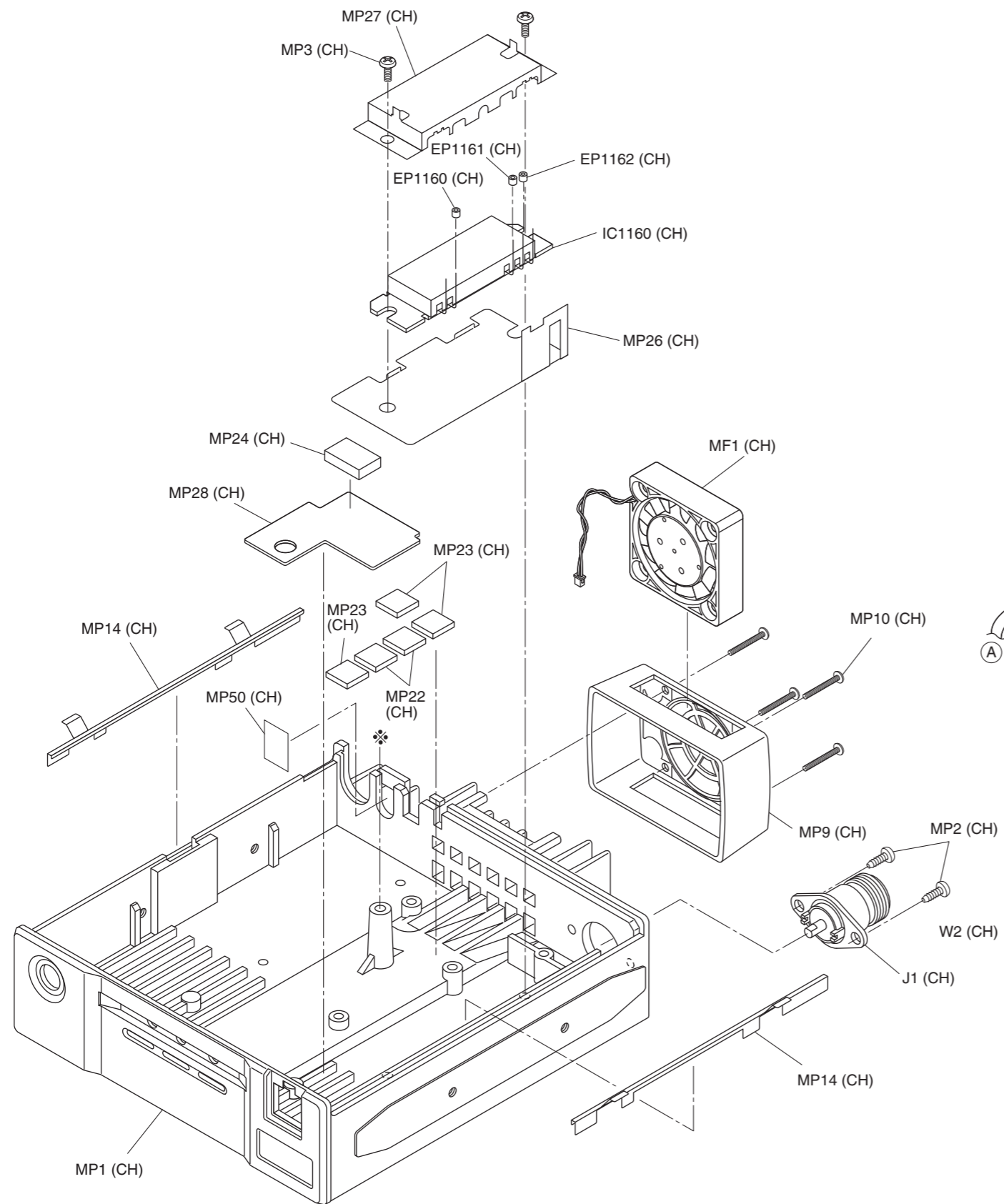
REF. NO.	ORDER NO.	DESCRIPTION	QTY.
W1330	8900011960	Cable OPC-1216	1
MP1	8510010880	1642 VCO case	1
MP2	8510010880	1642 VCO case	1
MP30	8930014140	Earth spring (D)	1
MP39	8930054521	Shield sponge (E)-1	1
MP40	8510002280	VCO shield plate (A)	1
MP54	8510000210	194 shield plate	1
MP55	8510000210	194 shield plate	1
MP57	8510010460	1691 main shield plate	1
MP58	8510011111	1922 VCO case-1	1
MP60	8510011101	1922 VCO cover-1	1
MP64	8930056580	Spacer with screw (AD)	4
MP65	8810007130	Setscrew (H) M3 × 6	4
MP66	8510010460	1691 main shield plate	1
MP67	8510002280	VCO shield plate (A)	1

Screw abbreviations

BT: Self-tapping PH: Pan head
 BiH: Binding head
 ZK: Black NI: Nickel
 NI-ZU: Nickel-Zinc
 SUS: Stainless BS: Brass



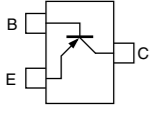
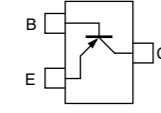
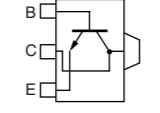
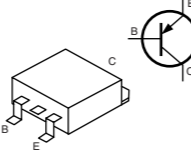
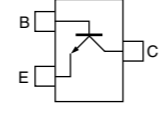
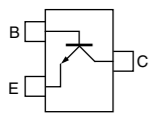
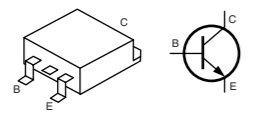
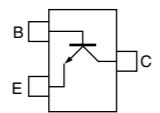
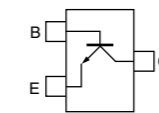
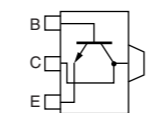
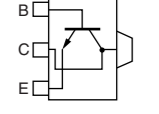
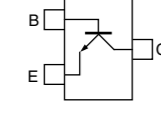
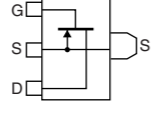
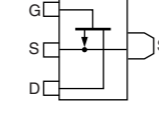
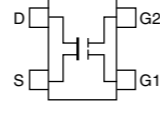
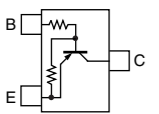
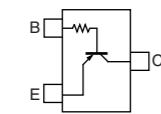
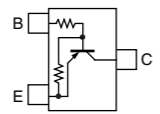
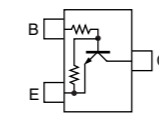
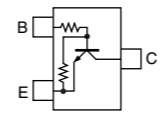
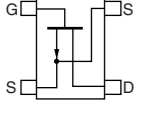
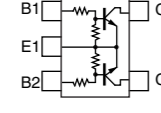
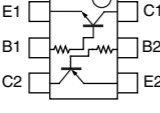
Unit abbreviation (C): CASE
(F): FRONT UNIT
(R): REAR UNIT




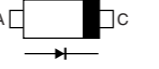
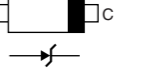

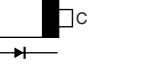
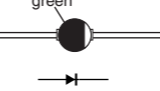
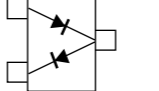
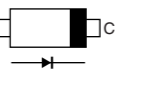
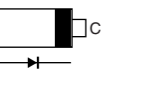
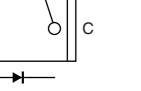

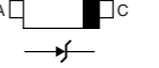
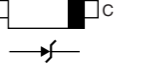

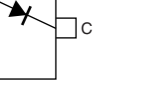
Unit abbreviations
(CH) : CHASSIS-D PARTS
(M) : MAIN-D/MAIN-D-1 UNIT
(L) : LOGIC-D UNIT

SECTION 7 SEMICONDUCTOR INFORMATION

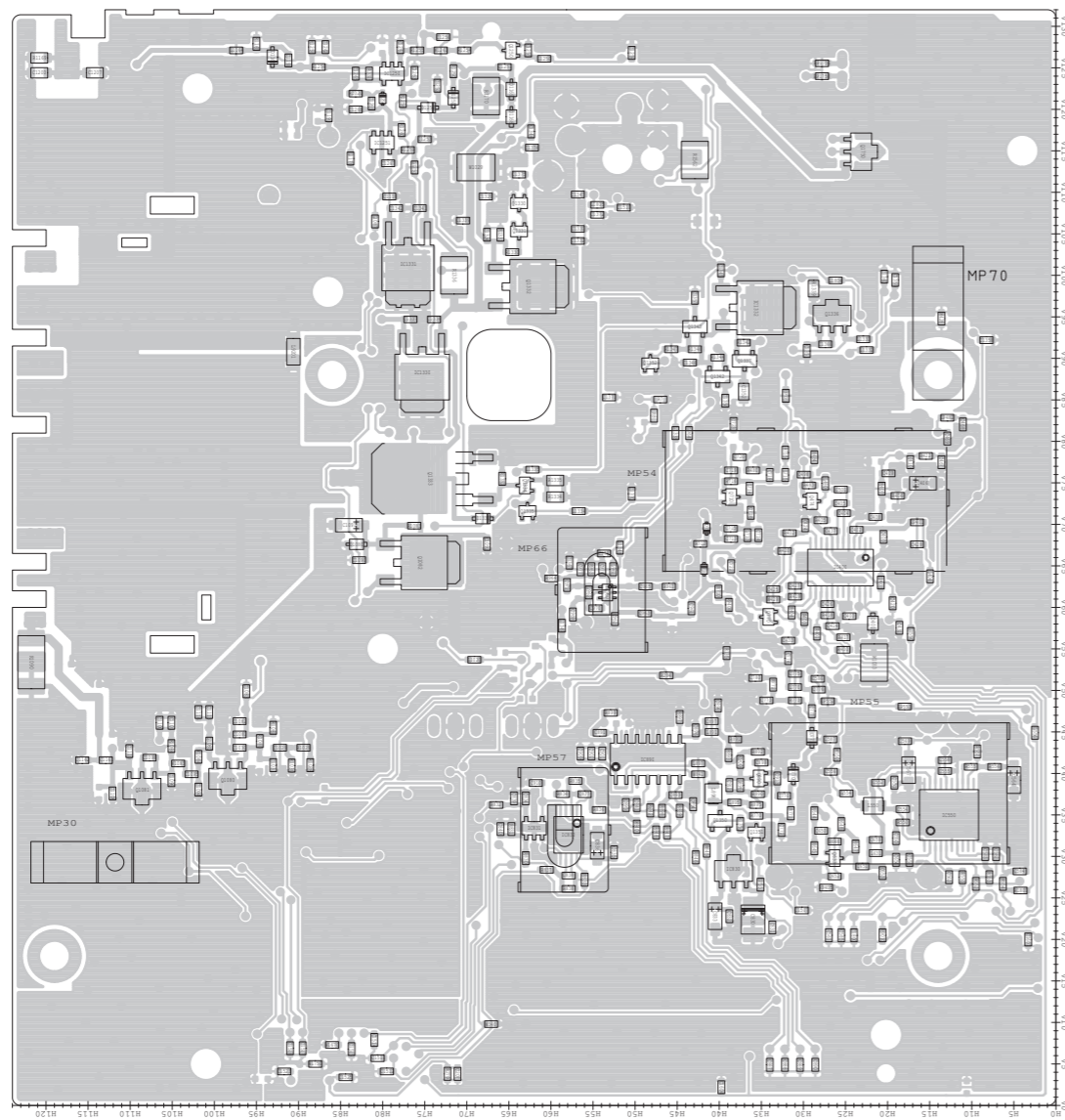
• TRANSISTORS

2SA1362 GR (Symbol: AEG) 	2SA1586 GR (Symbol: SG) 	2SB798 T2 DK (Symbol: DK) 	2SB934 P (Symbol: None) 	2SC4081 T106 S (Symbol: BS) 
2SC4215 O (Symbol: QO) 	2SC4684 (Symbol: 2SC4684) 	2SC5107 O (Symbol: MFO) 	2SC5195 (Symbol: 88) 	2SD1619 T TD (Symbol: DB) 
2SD1801 S TL (Symbol: CE) 	2SD2216J (Symbol: Y) 	2SK2854 (Symbol: UP) 	2SK2855 (Symbol: UT) 	3SK241 (Symbol: DU) 
DTA114EUA T106 (Symbol: 14) 	DTA143TUA (Symbol: 93) 	DTA144EUA T106 (Symbol: 16) 	DTC143ZUA (Symbol: 123) 	DTC144EUA T106 (Symbol: 26) 
NE34018-T1 64 (Symbol: V64) 	XP1214 (Symbol: 9H) 	XP4315 (Symbol: CB) 		

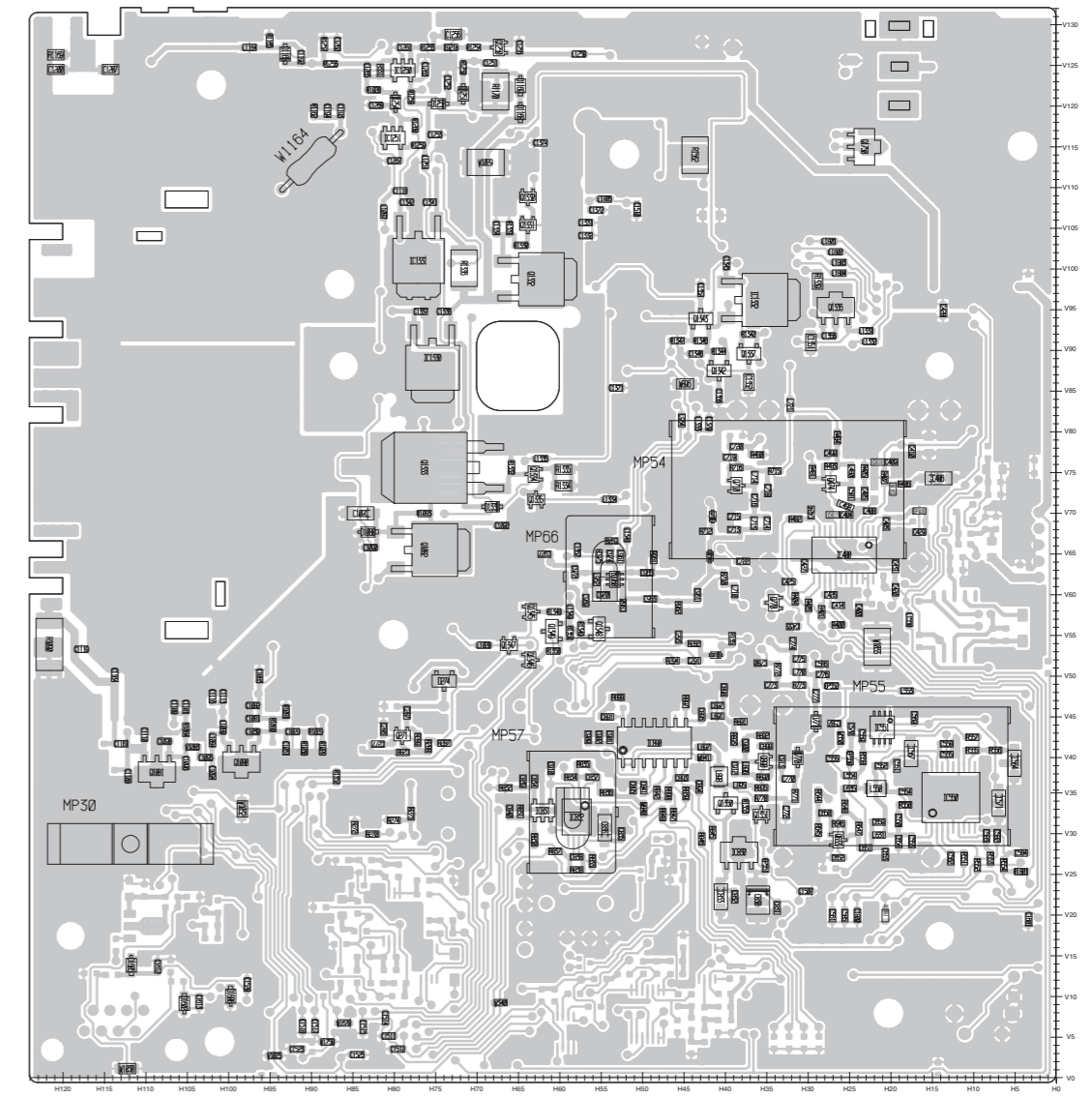
• DIODES

1SS355 (Symbol: A) 	1SV239 (Symbol: TC) 	1SV282 (Symbol: TD) 	1SV307 (Symbol: TX) 	1SV308 (Symbol: TX) 
DSA3A1 (Color: Green) 	HSM88AS TR (Symbol: C1) 	HSU88TRF (Symbol: 9) 	MA2S728 (Symbol: B) 	MA4PH224 (Symbol: Red dot) 
MA8033 L (Symbol: 3_3) 	MA8082 M (Symbol: 8-2) 	MA8091 M (Symbol: 9-1) 	NNCD5.6C-T1 (Symbol: NNCD5.6C) 	SB07-03C (Symbol: J) 

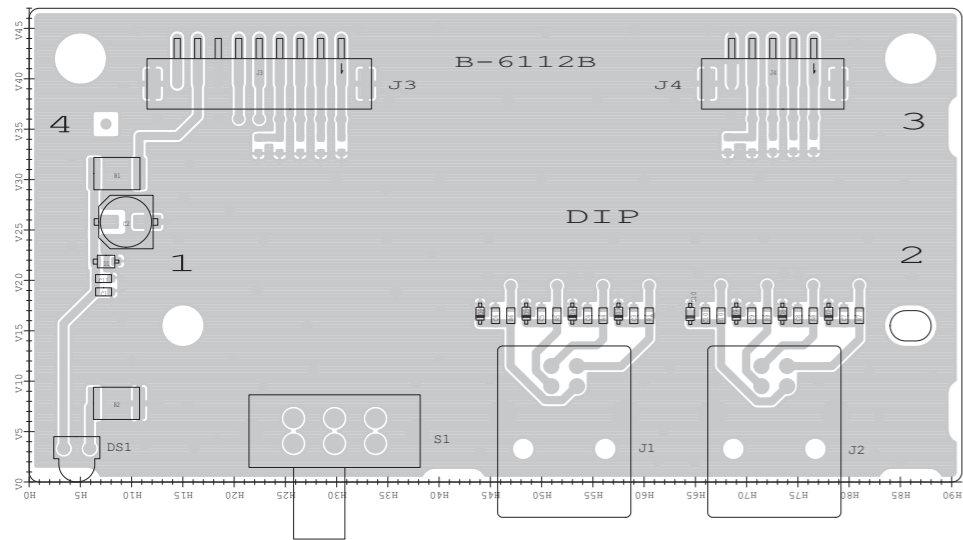
• MAIN-D-1 UNIT
(BOTTOM VIEW)



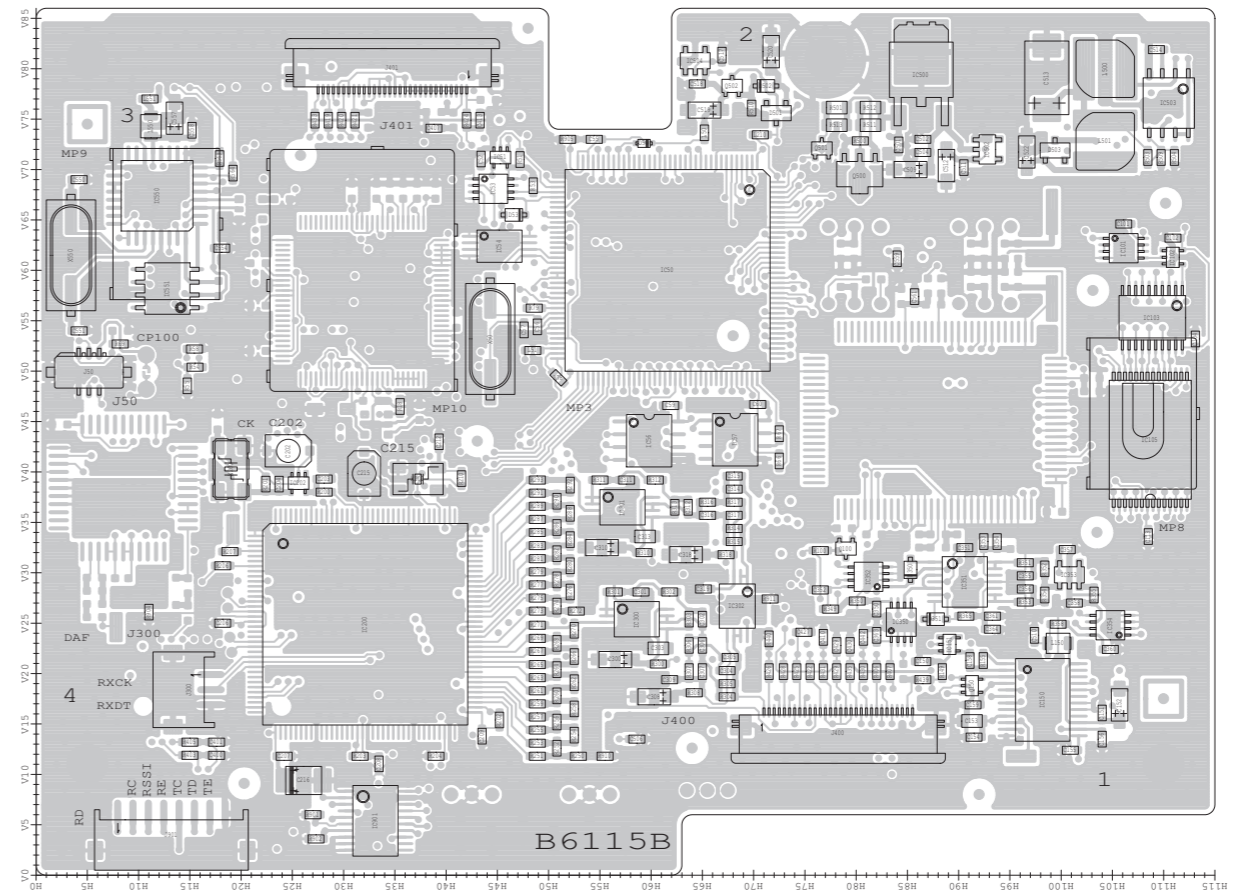
• MAIN-D UNIT
(BOTTOM VIEW)



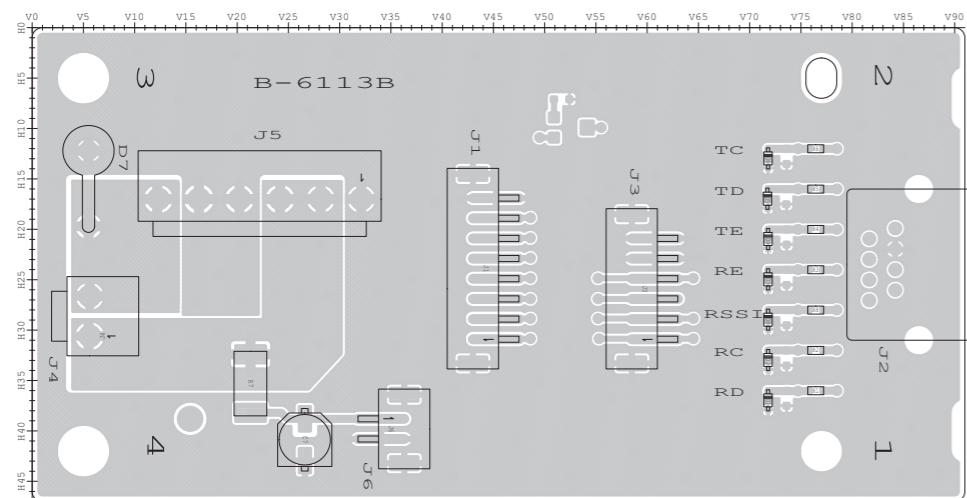
• FRONT UNIT
(TOP VIEW)



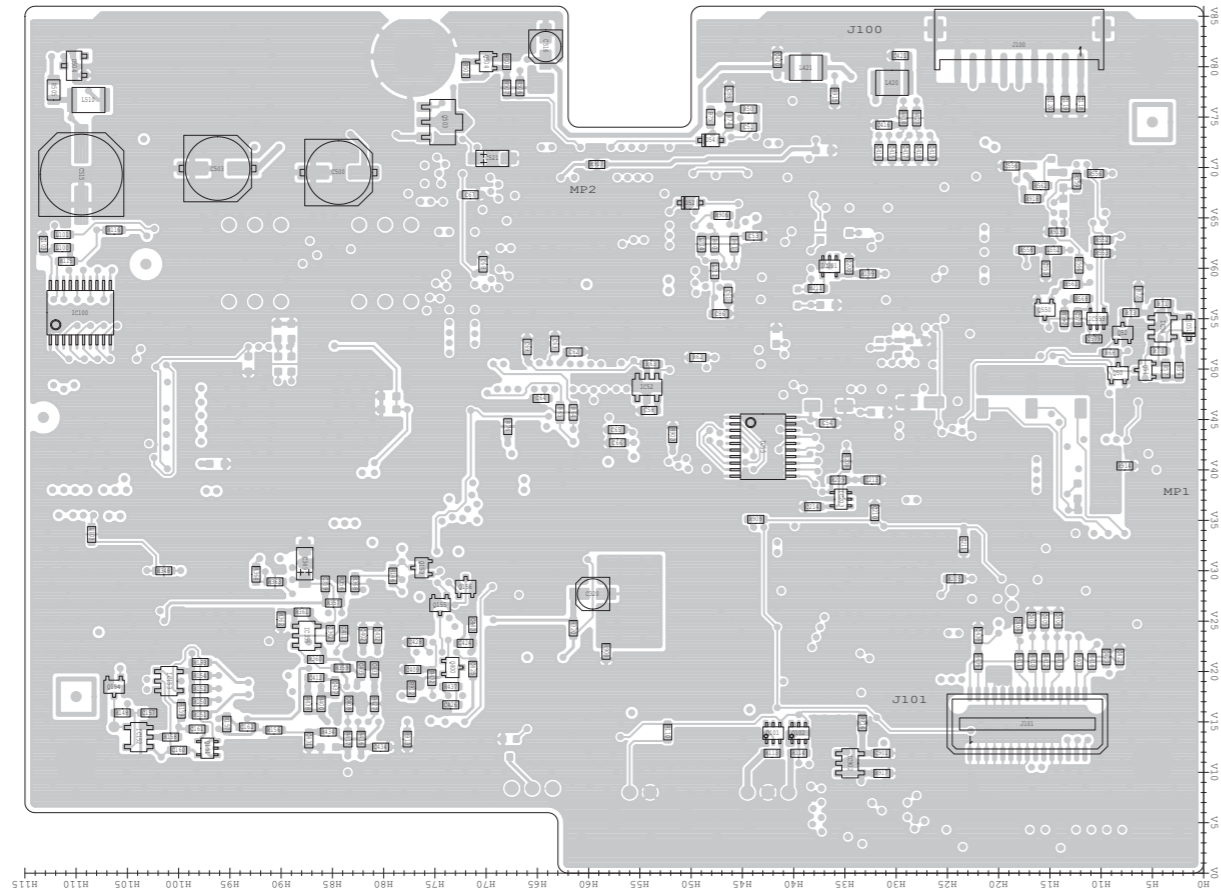
• LOGIC-D UNIT
(TOP VIEW)



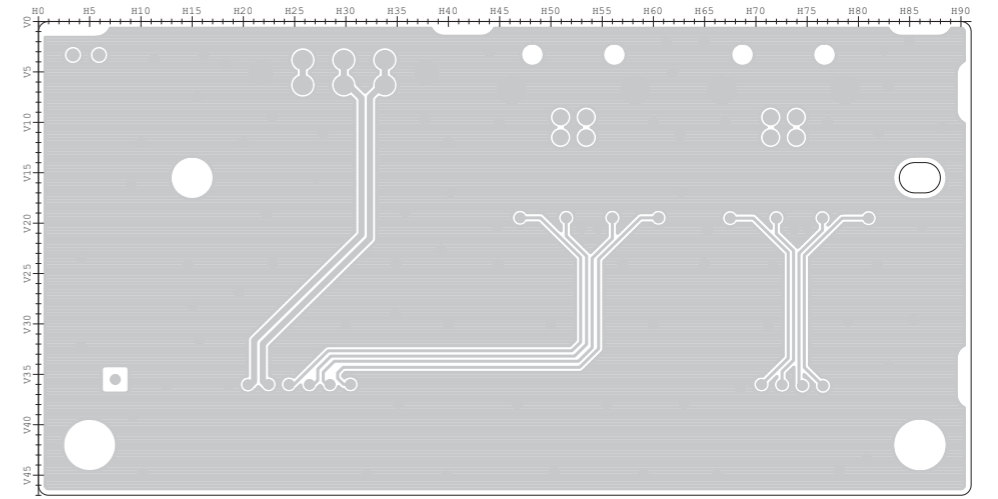
• REAR PANEL
(TOP VIEW)



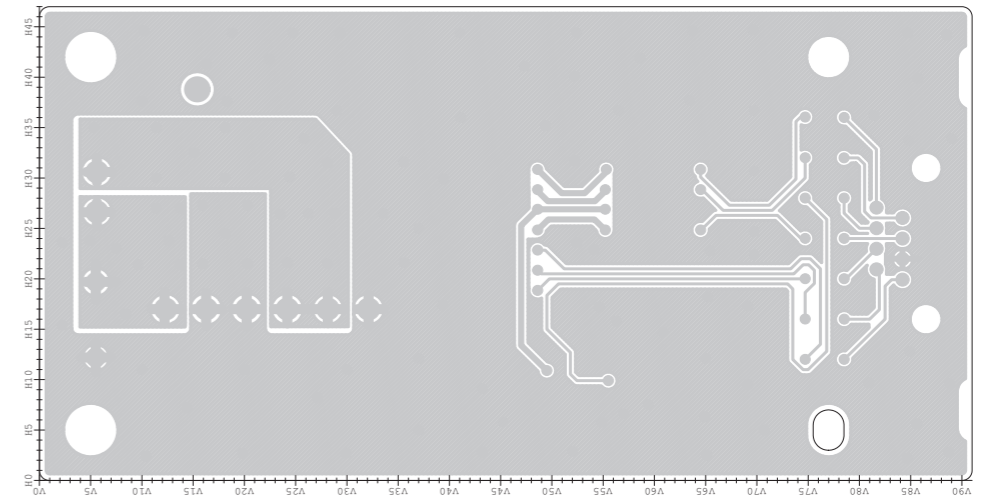
• LOGIC-D UNIT
(BOTTOM VIEW)



• FRONT UNIT
(BOTTOM VIEW)

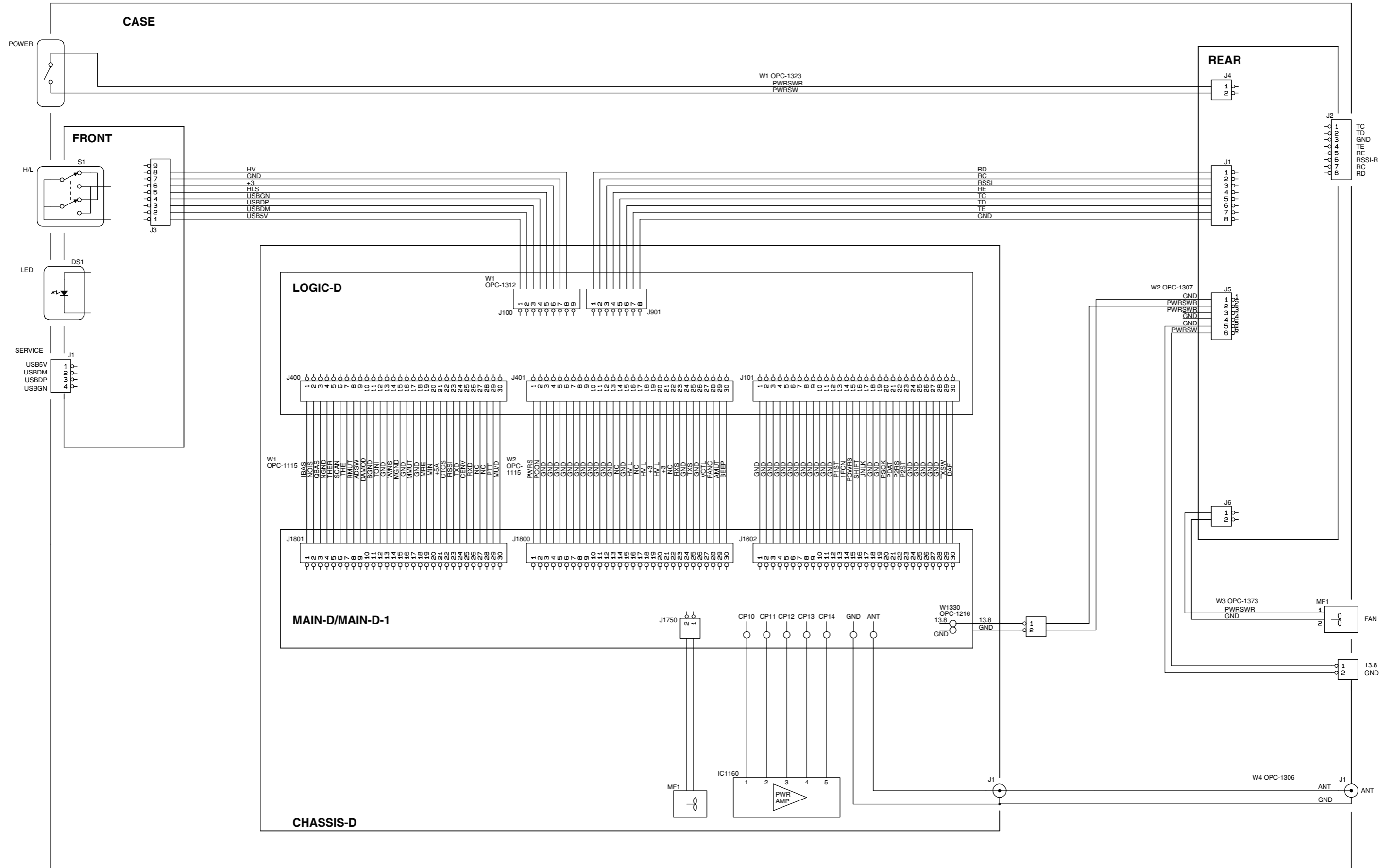


• REAR PANEL
(BOTTOM VIEW)



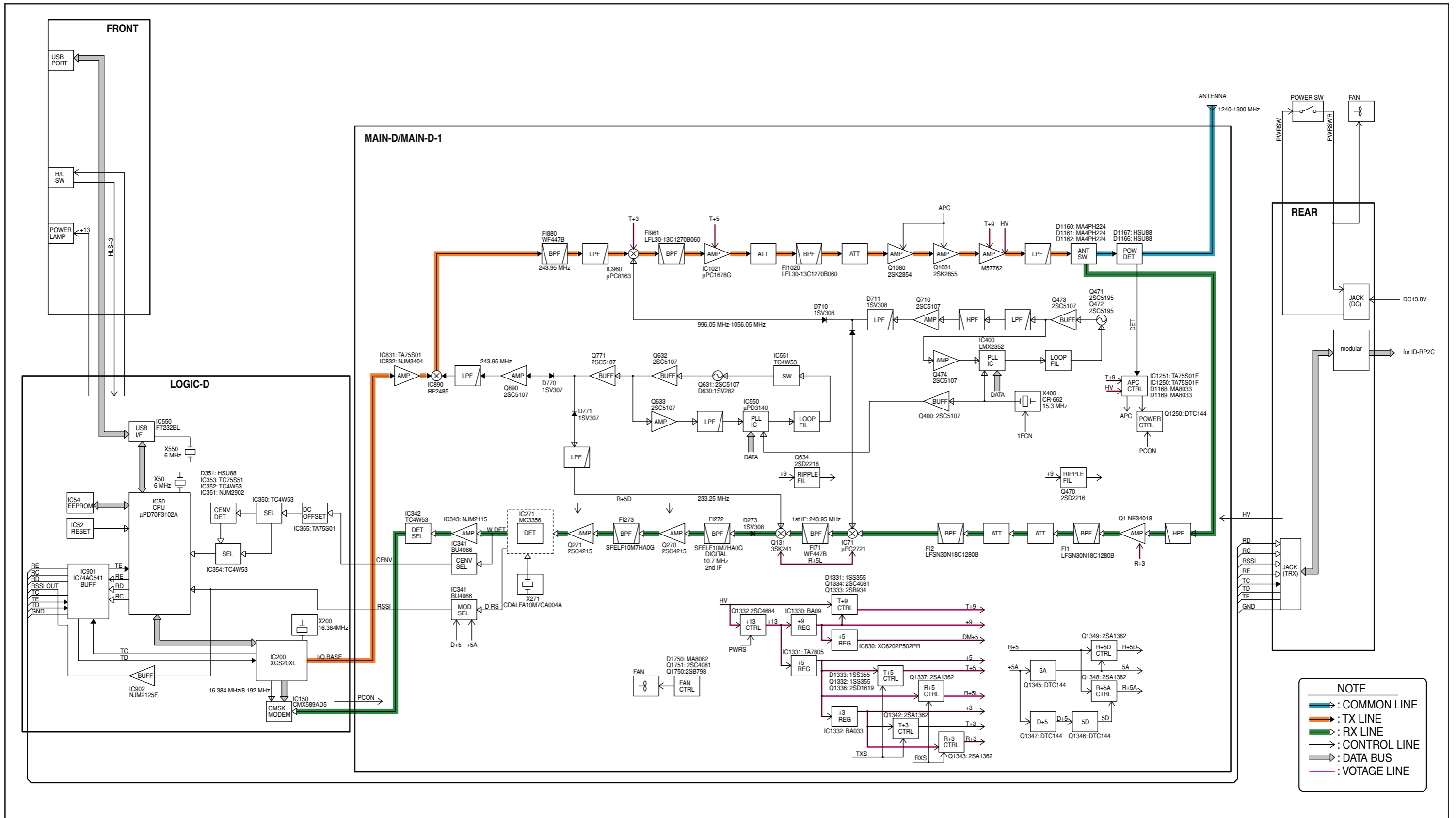
SECTION 9

WIRING DIAGRAM



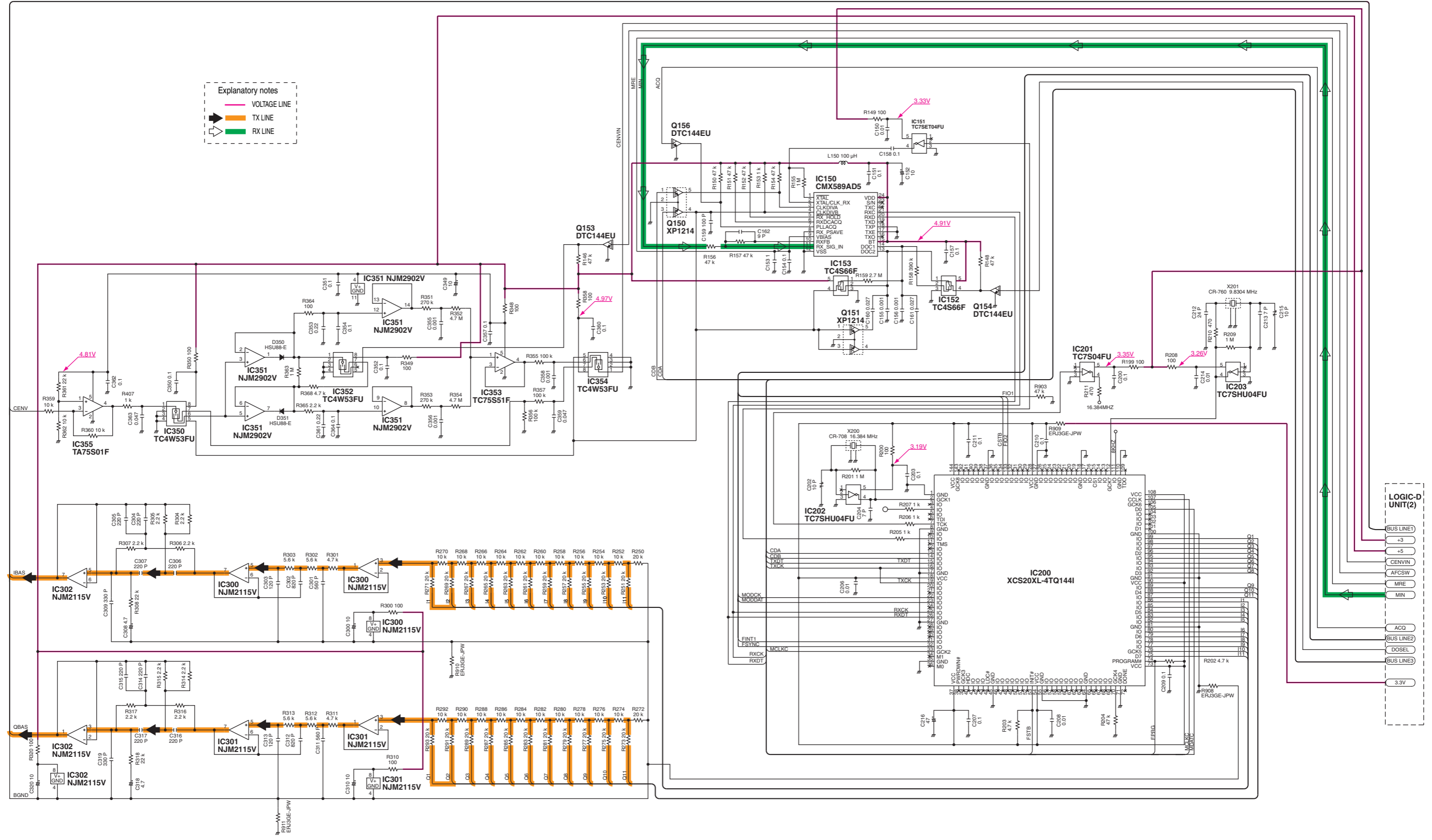
SECTION 10

BLOCK DIAGRAM

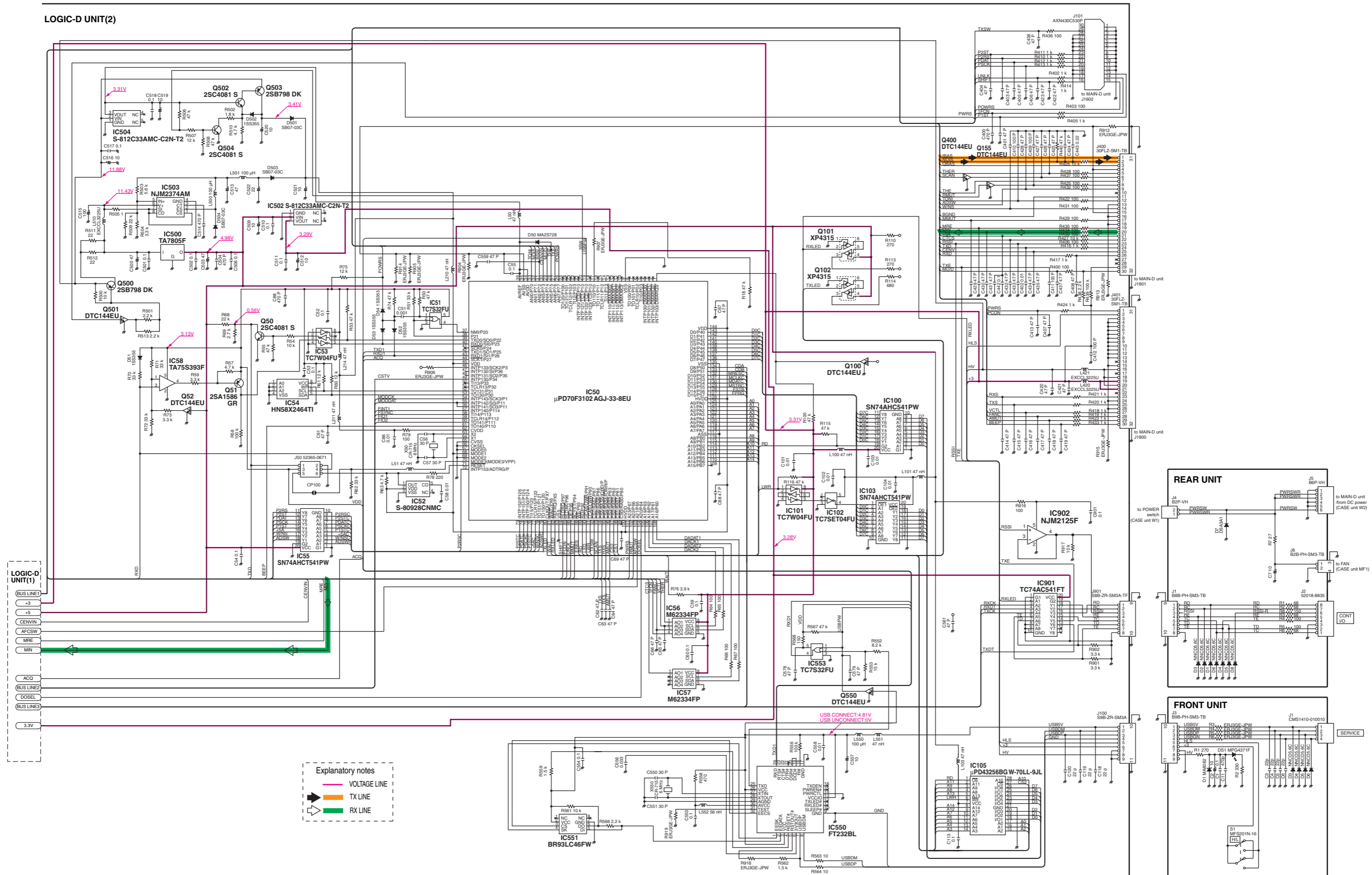


SECTION 11 VOLTAGE DIAGRAM

LOGIC-D UNIT(1)

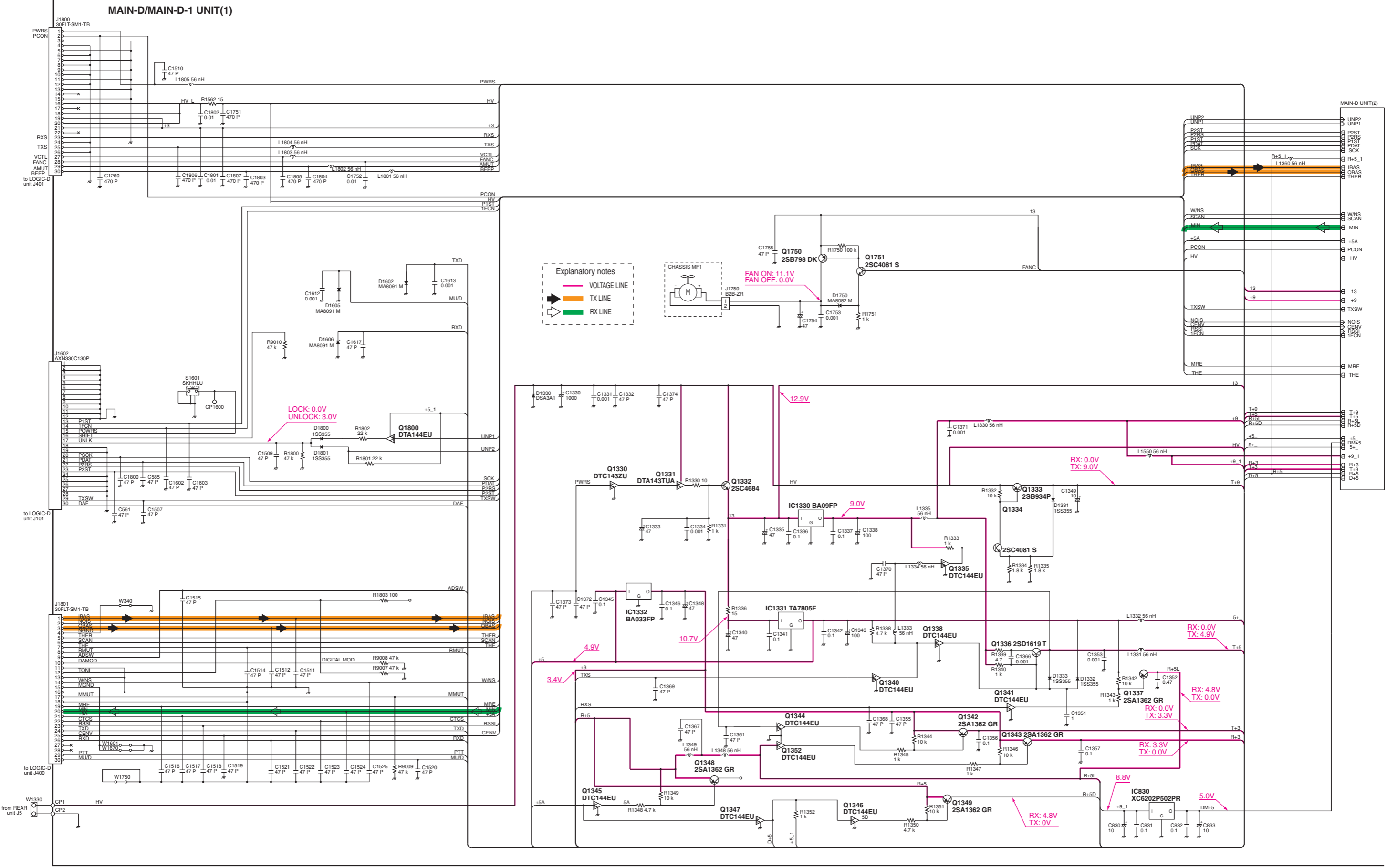


LOGIC-D UNIT(2)



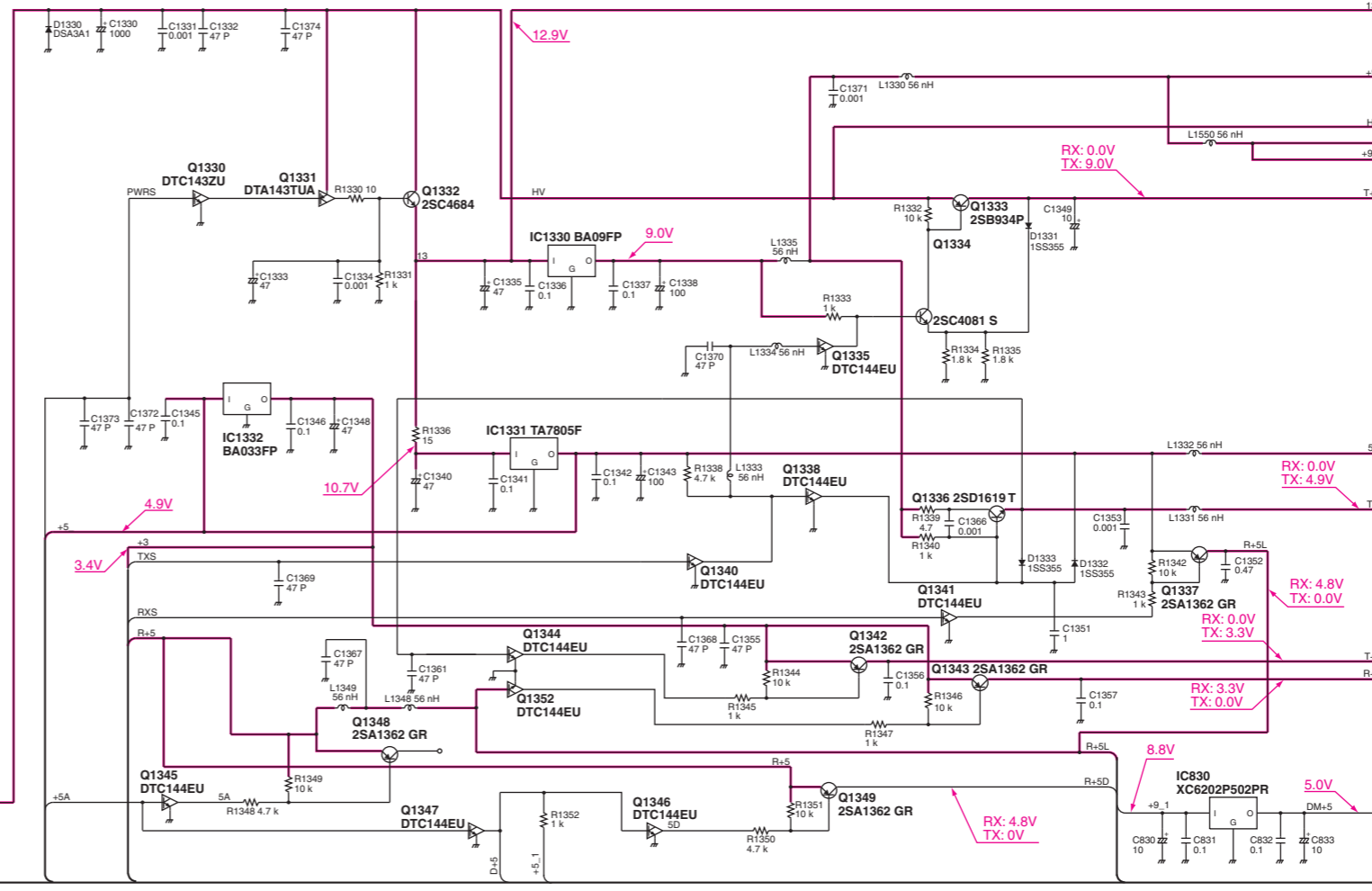
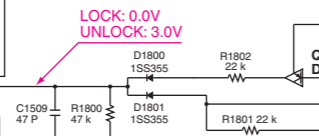
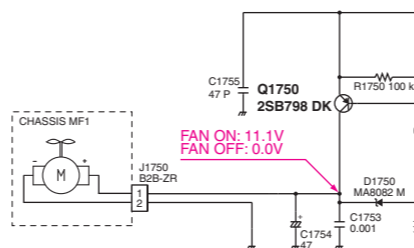
Explanatory notes
 — VOLTAGE LINE
 — TX LINE
 — RX LINE

MAIN-D/MAIN-D-1 UNIT(1)



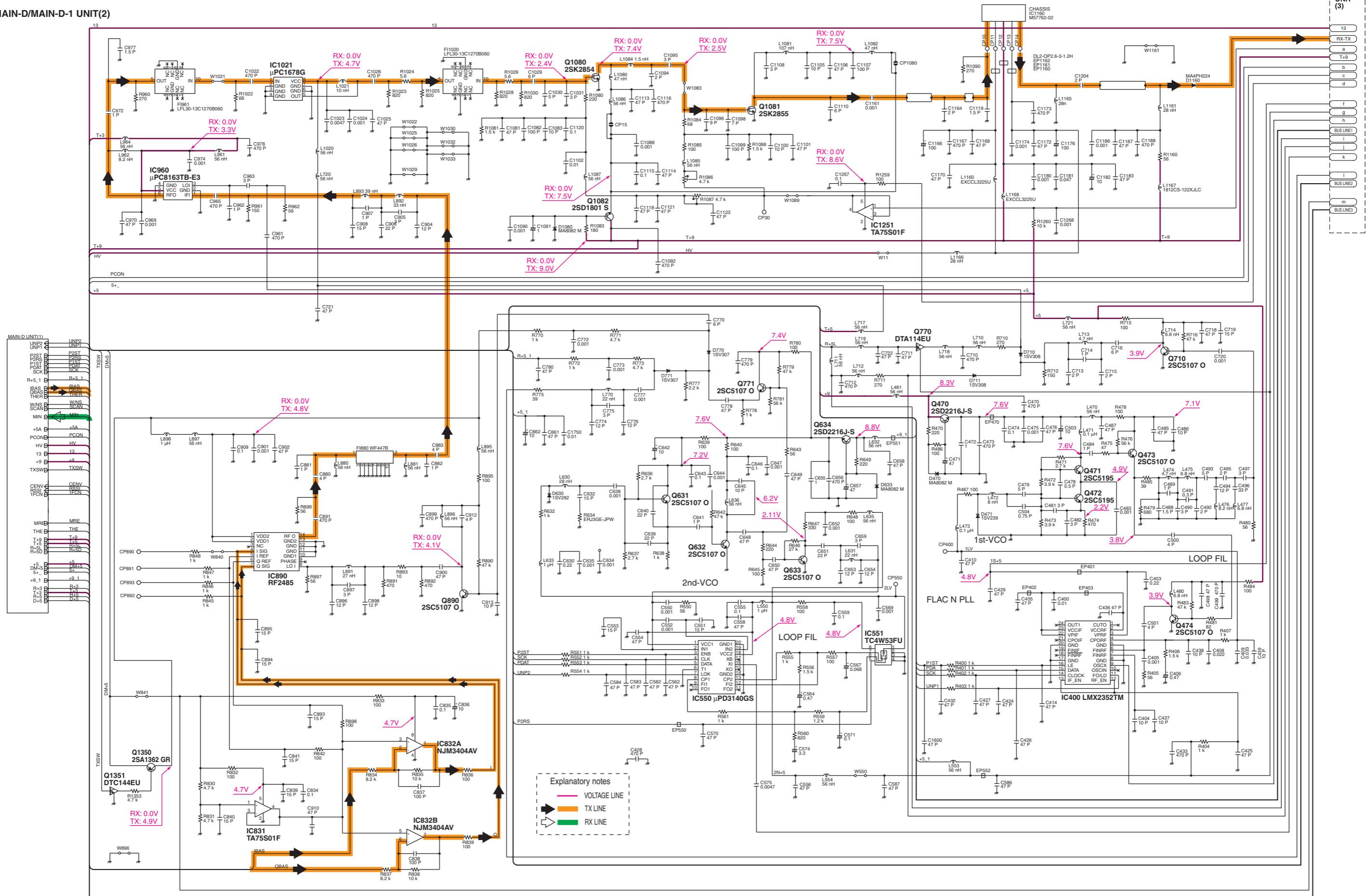
Explanatory notes

- VOLTAGE LINE
- TX LINE
- RX LINE



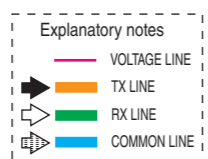
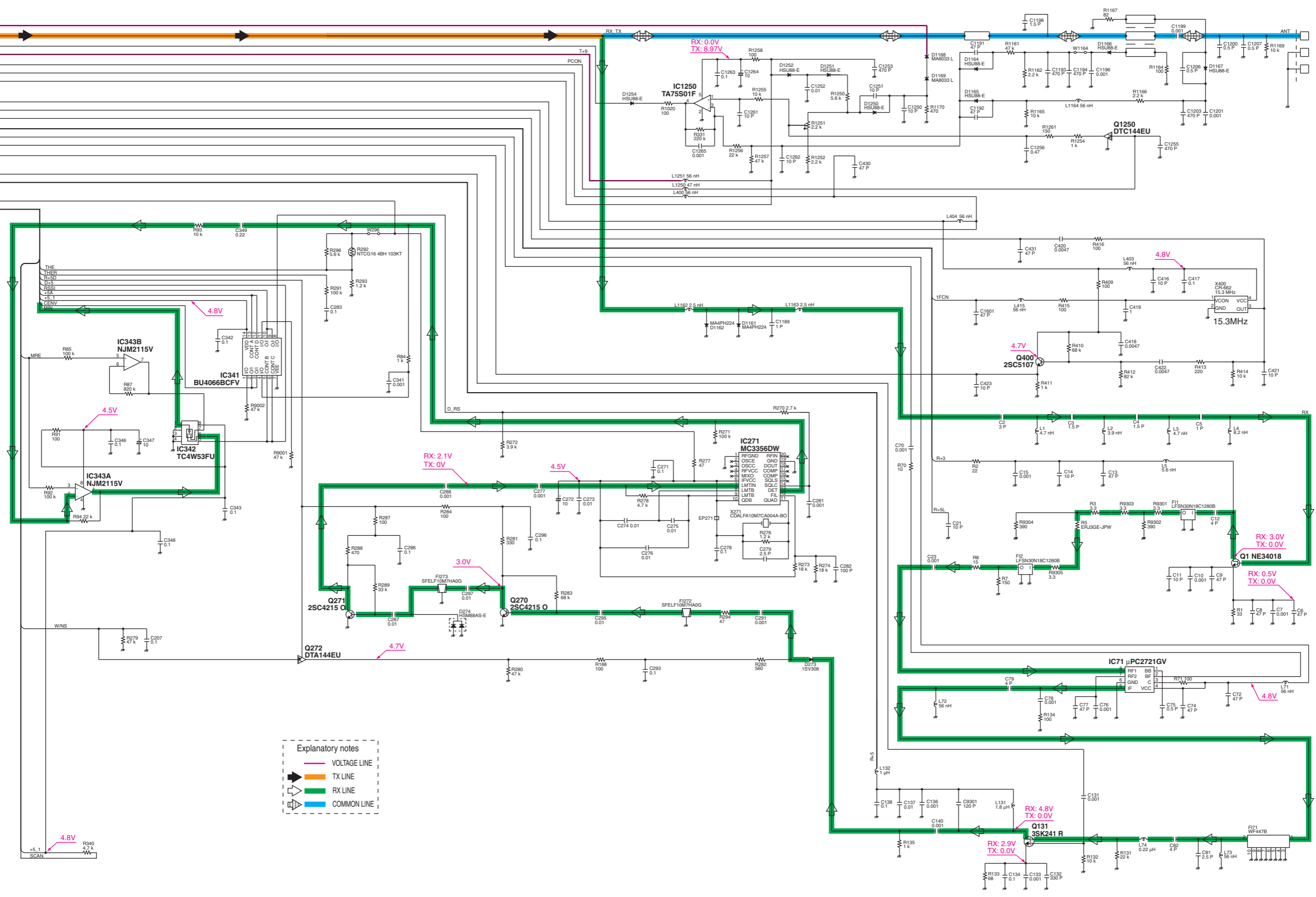
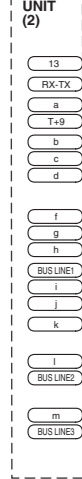
MAIN-D/MAIN-D-1 UNIT(2)

MAIN-D UNIT (3)



Explanatory notes
 — VOLTAGE LINE
 — TX LINE
 — RX LINE

MAIN-D/MAN-D-1 UNIT(3)



Icom Inc.

1-1-32, Kamiminami, Hirano-ku, Osaka 547-0003, Japan
Phone : +81 (06) 6793 5302
Fax : +81 (06) 6793 0013
URL : <http://www.icom.co.jp/world/index.html>

Icom America Inc.

<Corporate Headquarters>
2380 116th Avenue N.E., Bellevue, WA 98004, U.S.A.
Phone : +1 (425) 454-8155 Fax : +1 (425) 454-1509
URL : <http://www.icomamerica.com>
E-mail : sales@icomamerica.com
<Customer Service>
Phone : +1 (425) 454-7619

Icom Canada

Glenwood Centre #150-6165
Highway 17 Delta, B.C., V4K 5B8, Canada
Phone : +1 (604) 952-4266 Fax : +1 (604) 952-0090
URL : <http://www.icomcanada.com>
E-mail : info@icomcanada.com

Icom (Australia) Pty. Ltd.

Unit 1 / 103 Garden Road, Clayton VIC 3168 Australia
Phone : +61 (03) 9549-7500 Fax : +61 (03) 9549-7505
URL : <http://www.icom.net.au>
E-mail : sales@icom.net.au

Icom New Zealand

146A Harris Road, East Tamaki,
Auckland, New Zealand
Phone : +64 (09) 274 4062 Fax : +64 (09) 274 4708
URL : <http://www.icom.co.nz>
E-mail : inquiries@icom.co.nz

Beijing Icom Ltd.

10C07, Long silver Mansion, No.88, Yong Ding
Road, Haidian District, Beijing, 100039, China
Phone : +86 (010) 5889 5391/5392/5393
Fax : +86 (010) 5889 5395
E-mail : bjicom@bjicom.com
URL : <http://www.bjicom.com>

Icom (Europe) GmbH

Communication Equipment
Auf der Krautweide 24
65812 Bad Soden am Taunus, Germany
Phone : +49 (6196) 76685-0 Fax : +49 (6196) 76685-50
URL : <http://www.icomeurope.com>
E-mail : info@icomeurope.com

Icom Spain S.L

Ctra. Rubi, No. 88 Bajos A 08174, Sant Cugat del Valles, Barcelona, Spain
Phone : +34 (93) 590 26 70 Fax : +34 (93) 589 04 46
URL : <http://www.icomspain.com>
E-mail : icom@icomspain.com

Icom (UK) Ltd.

Blacksole House, The Boulevard, Altira Business Park, Herne Bay, CT6 6GZ, UK
Phone : +44 (01227) 741741 Fax : +44 (01227) 741742
URL : <http://www.icomuk.co.uk>
E-mail : info@icomuk.co.uk

Icom France s.a.s.

Zac de la Plaine
1 Rue Brindejonn des Moulinais BP 5804
31505 Toulouse Cedex, France
Phone : +33 (5) 61 36 03 03 Fax : +33 (5) 61 36 03 00
URL : <http://www.icom-france.com>
E-mail : icom@icom-france.com

Asia Icom Inc.

6F No.68, Sec. 1 Cheng-Teh Road, Taipei, Taiwan, R.O.C.
Phone : +886 (02) 2559 1899 Fax : +886 (02) 2559 1874
URL : <http://www.asia-icom.com>
E-mail : sales@asia-icom.com

Icom Polska

81-850 Sopot, ul. 3 Maja 54, Poland
Phone : +48 (58) 550 7135 Fax : +48 (58) 551 0484
E-mail : icompolska@icompolska.com.pl

Count on us!

Icom Inc.

1-1-32, Kamiminami, Hirano-ku, Osaka 547-0003, Japan

S-14518XZ-C1
© 2008 Icom Inc.